

Antisurge (T) Glass Fuses

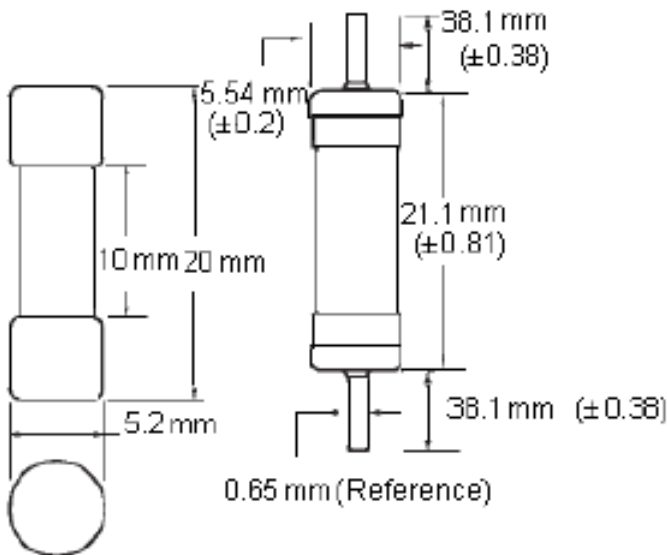
MCF05G Series



Features:



- Fast acting, low breaking capacity
- 5 x 20 mm physical size
- Glass tube, nickel-plated brass endcap construction
- Optional axial leads are 0.032 x 1.5 inches copper tinned
- Designed to IEC 60127-2 (32 mA - 6.3 A)



Ratings above 6.3 A have a 0.8 mm diameter lead

Electrical Characteristics

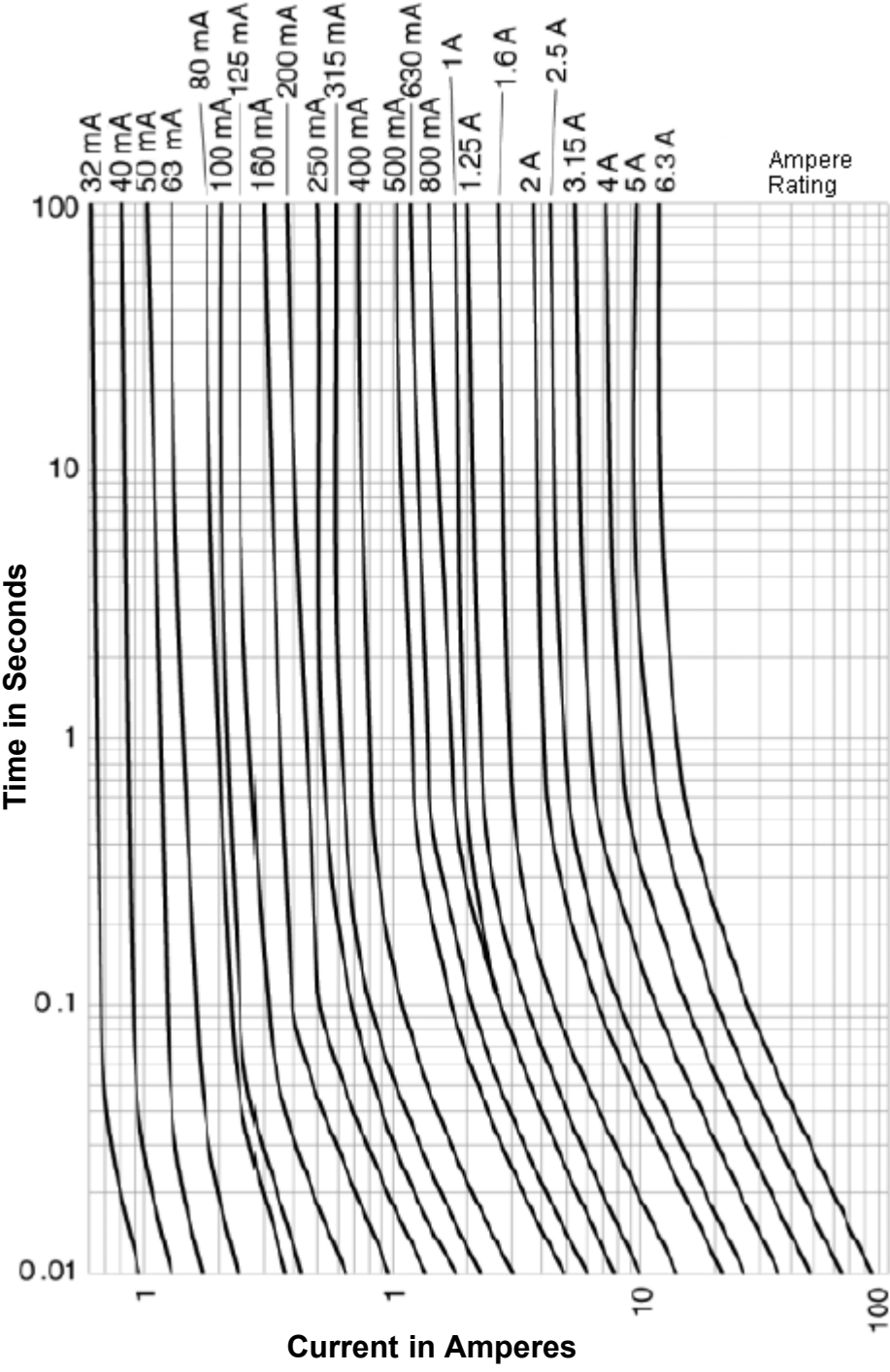
In	1.5 In	2.1 In	2.75 In		4 In		10 In
	Minimum	Maximum	Minimum	Maximum	Minimum	Maximum	Maximum
	(Seconds)		(Seconds)		(Seconds)		(Seconds)
32 mA - 100 mA	3,600	1,800	0.01	0.5	0.003	0.1	0.02
125 mA - 6.3 A			0.05	2	0.01	0.3	

Antisurge (T) Glass Fuses

MCF05G Series



Time - Current Characteristics Curve - Average Melt



Antisurge (T) Glass Fuses



MCF05G Series

Specification Table

Voltage Rating (V ac)	Interrupting Rating at Rated Voltage (50 Hz) AC (Amperes)	Typical DC Cold Resistance (ohms)*	Typical Melting I^2t (A ² Sec) AC**	Typical Voltage Drop (mV)***	Part Number
250	3	0.098	0.84	200	MCF05G-1.25A
		2.9	0.005	1,000	MCF05G-125MA
		9.2	0.008	2,000	MCF05G-160MA
		7	0.016	1,700	MCF05G-200MA
		4.5	0.28	1,400	MCF05G-250MA
		3.2	0.58	1,300	MCF05G-315MA
		1.9	0.18	1,100	MCF05G-400MA
		0.27		220	MCF05G-500MA
		0.21	0.35		MCF05G-630MA
		3.9	0.003	1,100	MCF05G-100MA
		0.068	1.6	190	MCF05G-1.6A
		0.044	4.2	150	MCF05G-2A
		0.026	13	130	MCF05G-3.15A
		0.022	22		MCF05G-4A
		0.015	42	120	MCF05G-5A
		0.15	0.67	190	MCF05G-800MA

* DC Cold Resistance (Measured at <10% of rated current)

** Typical Melting I^2t (I^2t was measured at listed interrupting rating and rated voltage)

*** Maximum Voltage Drop (Voltage drop was measured at 20°C ambient temperature at rated current)

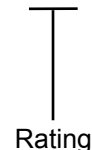
Part Number Explanation:

MCF05G



Series

1.25A



Rating

Rating

: 100 mA, 125 mA, 160 mA, 200 mA, 250 mA, 315 mA, 400 mA, 500 mA, 630 mA, 800 mA, 1 A, 1.25 A, 1.6 A, 2 A, 2.5 A, 3.15 A, 4 A, 5 A, 6.3 A, 8 A and 10 A

Important Notice : This data sheet and its contents (the "Information") belong to the members of the Premier Farnell group of companies (the "Group") or are licensed to it. No licence is granted for the use of it other than for information purposes in connection with the products to which it relates. No licence of any intellectual property rights is granted. The Information is subject to change without notice and replaces all data sheets previously supplied. The Information supplied is believed to be accurate but the Group assumes no responsibility for its accuracy or completeness, any error in or omission from it or for any use made of it. Users of this data sheet should check for themselves the Information and the suitability of the products for their purpose and not make any assumptions based on information included or omitted. Liability for loss or damage resulting from any reliance on the Information or use of it (including liability resulting from negligence or where the Group was aware of the possibility of such loss or damage arising) is excluded. This will not operate to limit or restrict the Group's liability for death or personal injury resulting from its negligence. Multicomp is the registered trademark of the Group. © Premier Farnell plc 2012.