

RL-5532

FLYBACK TRANSFORMER FOR TEXAS INSTRUMENTS

(FORMALLY NATIONAL SEMICONDUCTOR)

DESCRIPTION

- Flyback Transformer
- LM-258X-T5

ENVIRONMENTAL DATA

- Storage temperature range:
-55°C to +130°C
- Operating temperature range:
-40°C to +130°C

PACKAGING INFORMATION

- Packaging information: pg. 510

FEATURES & APPLICATIONS

- Compact through-hole transformer
- Flyback topology power supplies

Verify operation with sample in actual circuit. Order samples at www.rencousa.com.

MECHANICAL DIMENSIONS

U.S. Standard (mm)

PART NUMBER	A (MAX.)	B	C (MAX.)	D (MAX.)	E (MIN.)	F (TYP.)	G
RL-5532	0.93 (23.62)	0.515 (13.08)	0.86 (21.84)	0.66 (16.76)	0.175 (4.44)	0.20 (5.08)	0.15 (3.81)

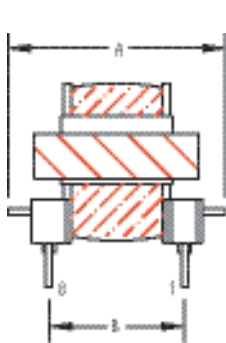
PART NUMBER	PART WEIGHT
RL-5532	12.0g (0.42oz)

TEST MEASUREMENTS:

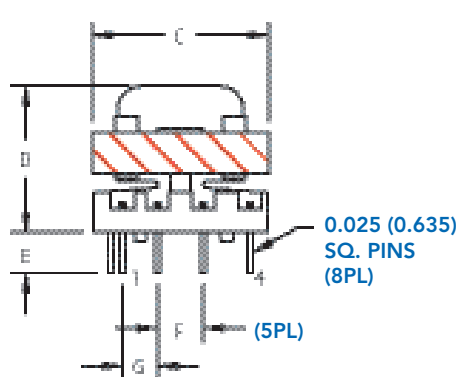
1. L (1-2) = $66 \mu\text{H} \pm 10\%$ AT 0.1 VRMS 10 kHz
2. RDC (2-1) = $0.050\Omega \pm 15\%$
RDC (3-4) = $0.0194\Omega \pm 15\%$
RDC (5-6) = $0.247\Omega \pm 15\%$
RDC (7-8) = $0.247\Omega \pm 15\%$

3. HIPOT: 600 VRMS BETWEEN (2-1) AND OTHER WINDINGS

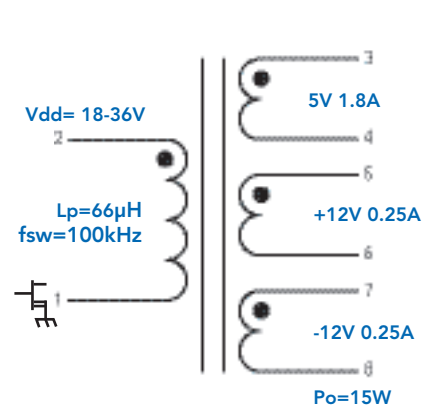
FRONT VIEW



SIDE VIEW



SCHEMATIC



RENCO ELECTRONICS INC.

595 International Place, Rockledge, FL 32955-4200 USA • www.rencousa.com • ISO 9001 Certified
Toll Free Engineering Hot Line: 800.645.5828 • P: 321.637.1000 • F: 321.637.1600

