

INTEGRATED CONNECTOR MODULES

0826-1X4T-43 Gigabit Ethernet MagJack® 1 x 4 with LEDs

LED1 POLARITY			LED2 POLARITY		
PIN 13	PIN 14	COLOR	PIN 15	PIN 16	COLOR
-	+	YELLOW	+	-	ORANGE
/	/	/	-	+	GREEN

ELECTRICAL CHARACTERISTICS @ 25°C

URNS RATIO

TP1	1CT : 1CT ±2%
TP2	1CT : 1CT ±2%
TP3	1CT : 1CT ±2%
TP4	1CT : 1CT ±2%

□CL @ 100kHz/100mVRMS
8mA DC BIAS

350µH MIN.

INS. LOSS

0.1MHz TO 1MHz	-1.1 dB MAX
1MHz TO 65MHz	-0.5 dB MAX
65MHz TO 100MHz	-0.8 dB MAX
100MHz TO 125MHz	-1.2 dB MAX

RET. LOSS (MIN)

0.5MHz-40MHz	-18 dB
40MHz-100MHz	-12+20LOG(f/80MHz) dB

CROSS TALK

100kHz - 100MHz -33+20LOG(f/100MHz)dB MIN

CM TO CM REJ

100kHz - 100MHz -30 dB MIN

CM TO DM REJ

100kHz - 100MHz -35 dB MIN

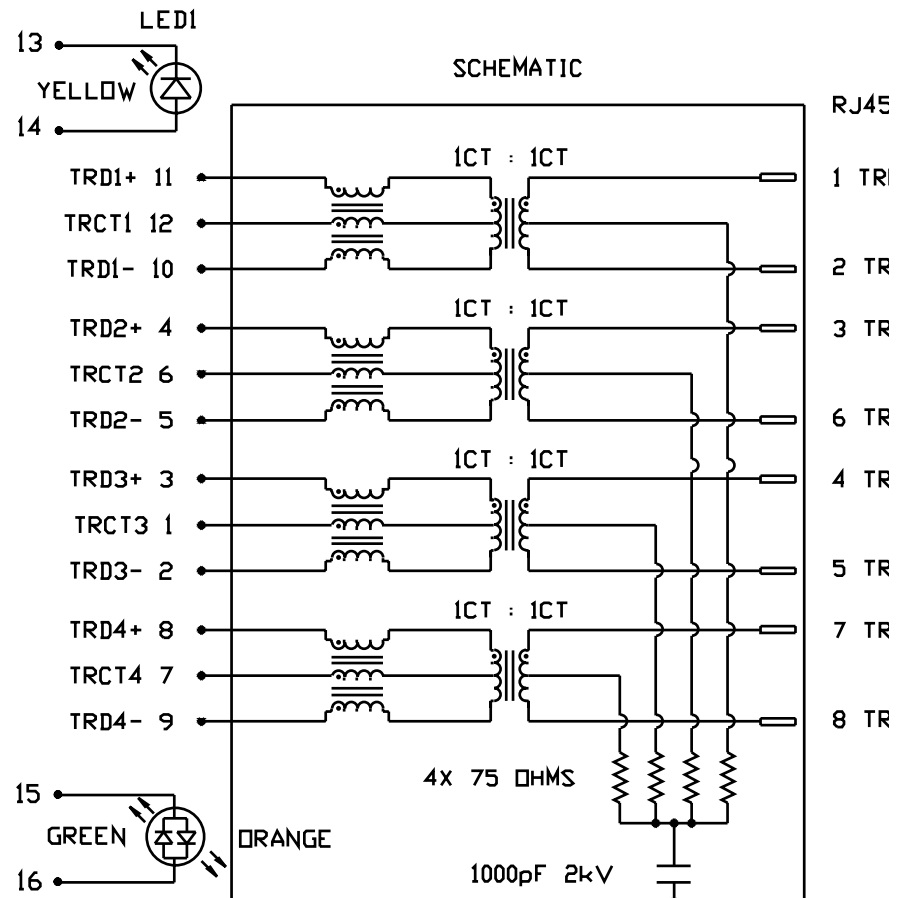
HIPOT (Isolation Voltage):

1500 Vrms

LED 1

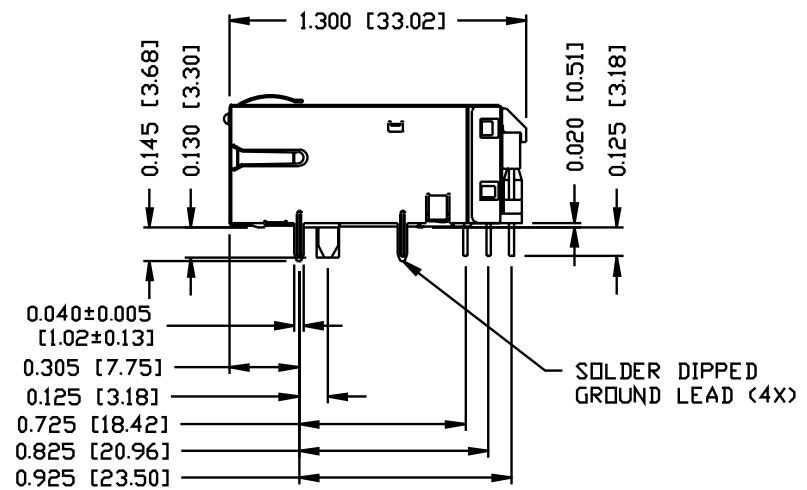
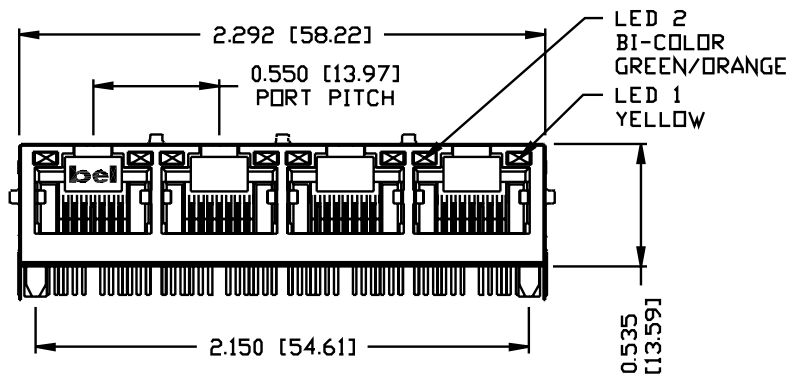
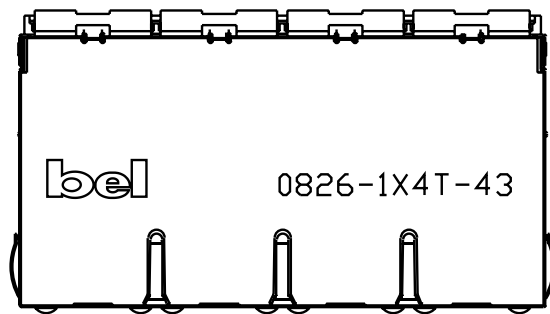
V_F (FORWARD VOLTAGE) IF=20mA YELLOW 2.1V TYP.
λ_D (DOMINANT WAVELENGTH) IF=20mA YELLOW 590nm TYP.

LED 2



INTEGRATED CONNECTOR MODULES

0826-1X4T-43 Gigabit Ethernet MagJack® 1 x 4 with LEDs

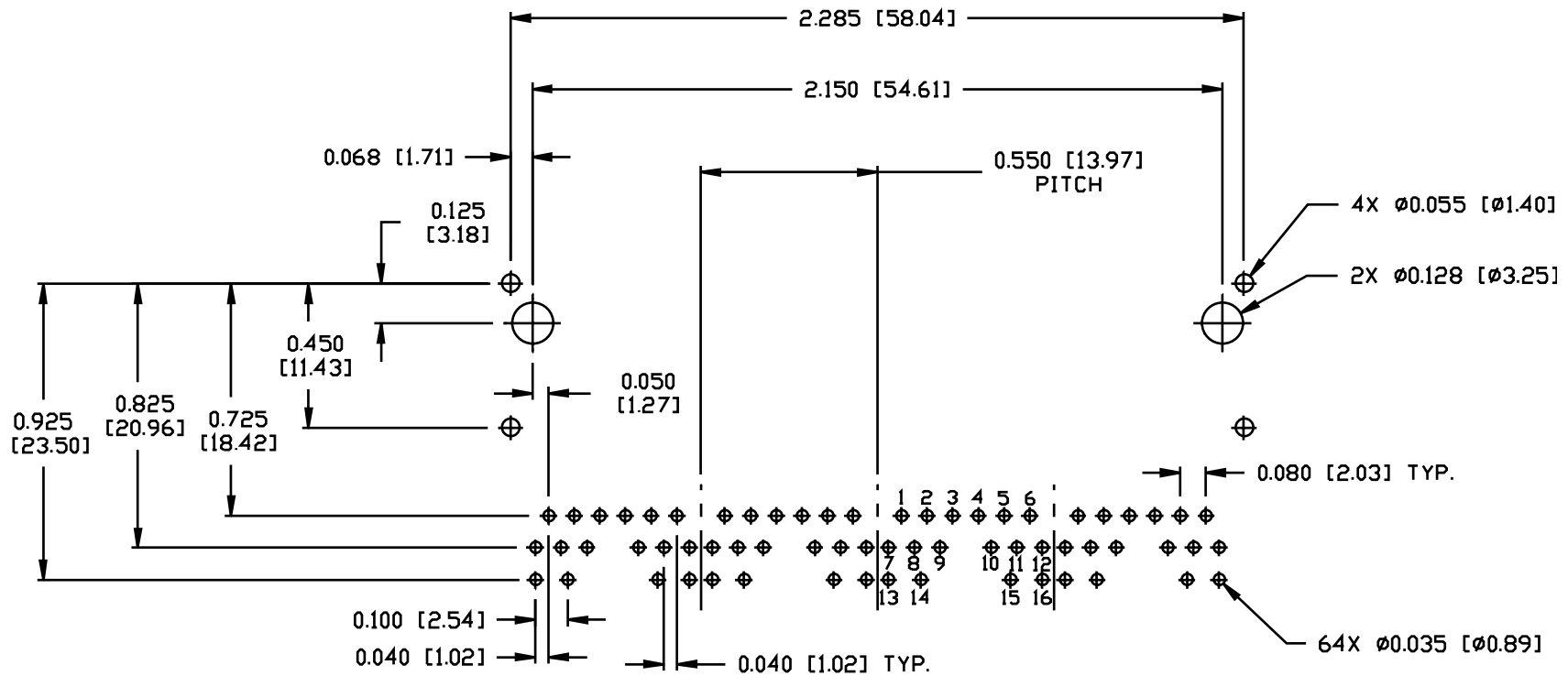


NOTES:

- PLASTIC HOUSING: THERMOPLASTIC PBT
FLAMMABILITY RATING UL 94V-0
- CONTACTS PLATING: 50 MICRO-INCH HARD GOLD PLATING
- PINS: TIN-COATED COPPER WIRE, DIA 0.018 INCH.
- SOLDERABILITY: PER MIL STD. 202, METHOD 208.
- METAL SHIELD: NICKEL PLATED ON COPPER ALLOY.
(ALL GROUND LEADS ARE SOLDER DIPPED)

INTEGRATED CONNECTOR MODULES

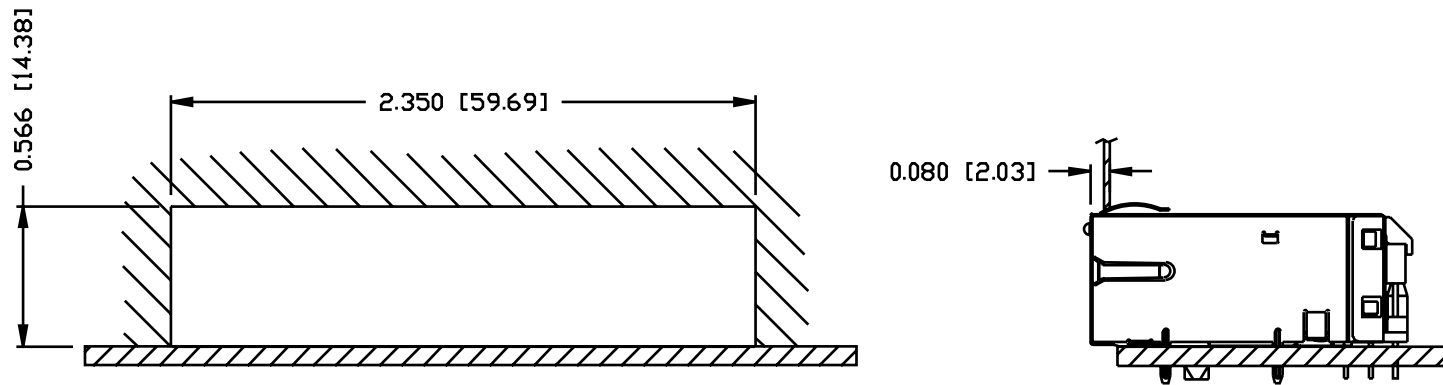
0826-1X4T-43 Gigabit Ethernet MagJack® 1 x 4 with LEDs



RECOMMENDED PCB FOOTPRINT
COMPONENT SIDE VIEW

INTEGRATED CONNECTOR MODULES
0826-1X4T-43 Gigabit Ethernet MagJack® 1 x 4 with LEDs

SUGGESTED PANEL OPENING



NOTES:

THE DISTANCE OF PANEL INSIDE SURFACE RELATIVE TO FRONT SURFACE OF PART IS ONLY A SUGGESTION. IN CASE THIS DISTANCE IS DIFFERENT, THE REQUIRED PANEL OPENING DIMENSIONS CHANGE ACCORDINGLY.

PACKING INFORMATION

PACKING TRAY : 0200-0148-55 OR 0200-9999-B4 (TOP)
 0200-0148-56 OR 0200-9999-B5 (BOTTOM)

PACKING QUANTITY : 24 PCS FINISHED GOOD PER TRAY
 10 TRAY (240 PCS FINISHED GOOD) PER CARTON BOX

NOTE : CARDBOARDS ARE PLACED BETWEEN LAYERS OF PACKING TRAY INSIDE CARTON BOX
 (INCLUDE THE UPPERMOST AND LOWERMOST TRAY)