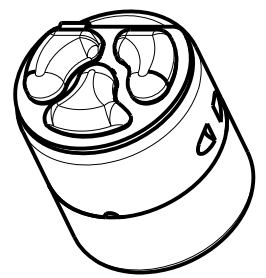
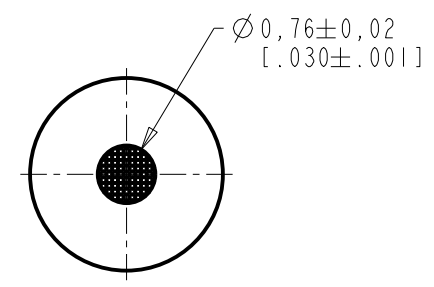
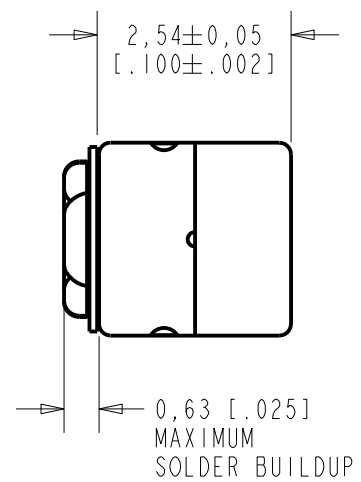
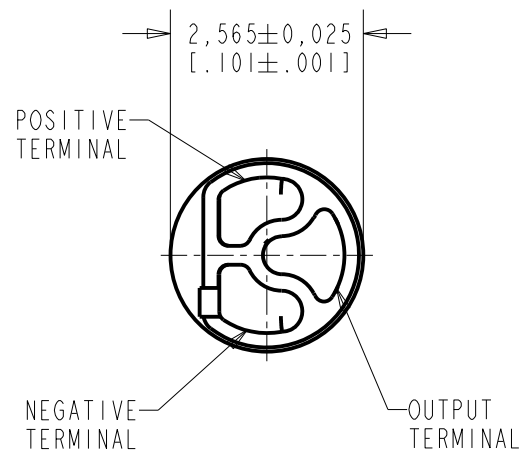


FG-23329-C05

SHT 1.1

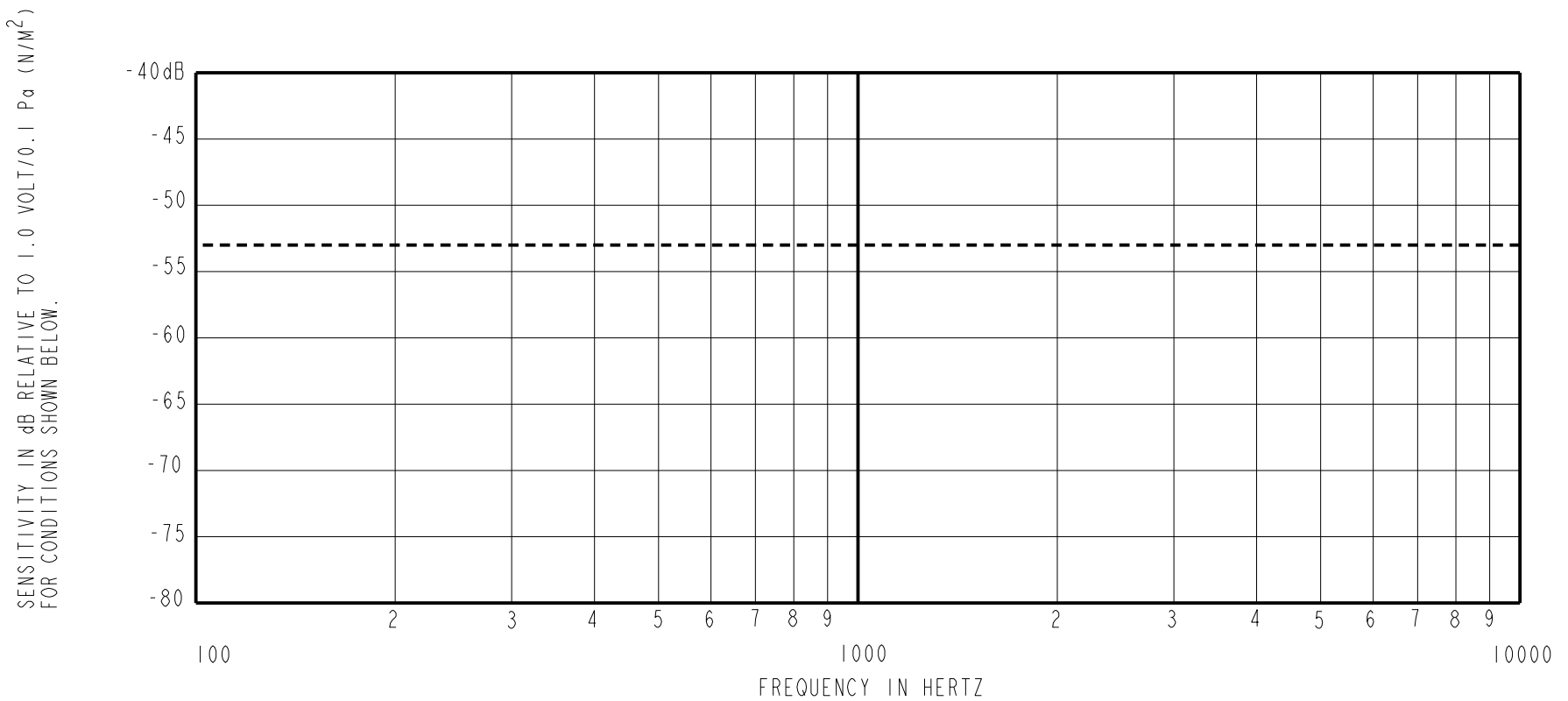


DIMENSIONS IN MILLIMETERS [INCHES]

Revision	C.O. #	Implementation Date	RELEASE LEVEL	REVISION
F	MI0103600	4-14-10	Active	F
E	MI0103261	10-28-09		
D	MI0102044	12-25-08		

SCALE: 10:1		DR. BY: DMS	DATE: 6-24-05
DO NOT SCALE DRAWING		CK. BY: GJP	DATE: 6-24-05
TITLE: MICROPHONE	FG-23329-C05	APP. BY: GJP	DATE: 6-24-05
OUTLINE DRAWING	SHT 1.1		

**KNOWLES ELECTRONICS**  
 ITASCA, ILLINOIS U.S.A.

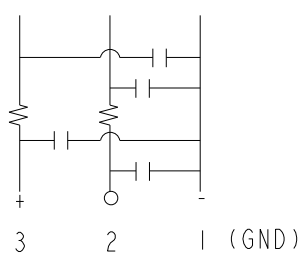


FREQUENCY	SENSITIVITY			DEVICE CONFORMITY	
	MIN.	NOM.	MAX.	RANGE OF DEVIATION FROM 1KHz	
100	---	-53.0	---	-3.0	+3.0
1000	-56.0	-53.0	-50.0	0.0	0.0
10000	---	-53.0	---	-3.0	+3.0

- NOTES: 1. CASE CONNECTED TO NEGATIVE TERMINAL.  
2. MICROPHONE TO BE FUNCTIONAL WITH 1.6 VDC SUPPLY.  
3. TYPICAL SENSITIVITY TO HUMIDITY AT 1000Hz IS 0.06 dB/%RH  
4. SENSITIVITY AND NOISE VALUES INDICATED ON THIS SPECIFICATION ARE VALID AT 50% HUMIDITY.

DC SUPPLY	AMPLIFIER CURRENT DRAIN	SENSITIVITY CHANGE ON REDUCING SUPPLY TO 0.9VDC	"A" WEIGHTED NOISE (1 kHz EQUIV. SPL)	OUTPUT IMPEDANCE OHMS			CAPACITANCE ±50%	
				MIN.	NOM.	MAX.	1-2	1-3
1.3V	50 µA MAX.	3 dB MAX.	30.0 dB MAX.	2800	4400	6800	13 pF	13 pF

CAPACITANCE PROBE POINTS



Revision	C.O. #	Implementation Date	RELEASE LEVEL	REVISION
F	M10103600	4-14-10	Active	F
E	M10103261	10-28-09		
D	M10102044	12-25-08		

**KNOWLES ELECTRONICS**  
ITASCA, ILLINOIS U.S.A.

WHEN TEST LIMITS ARE USED TO ESTABLISH INCOMING INSPECTION ACCEPTANCE/REJECTION CRITERIA, CORRELATION OF TEST EQUIPMENT WITH KNOWLES IS ALSO REQUIRED FOR ELIMINATION OF EQUIPMENT AND TEST METHOD VARIATION

TITLE: **MICROPHONE** **FG-23329-C05**  
PERFORMANCE SPECIFICATION **SHT 2.1**

DR. BY	DATE
DMS	6-24-05
CK. BY	DATE
GJP	6-24-05
APP. BY	DATE
GJP	6-24-05