

# BAND PASS FILTER

## MODEL FIS-10.7

**OPTIMIZED BANDWIDTH**

**Fc = 10.7 MHz**

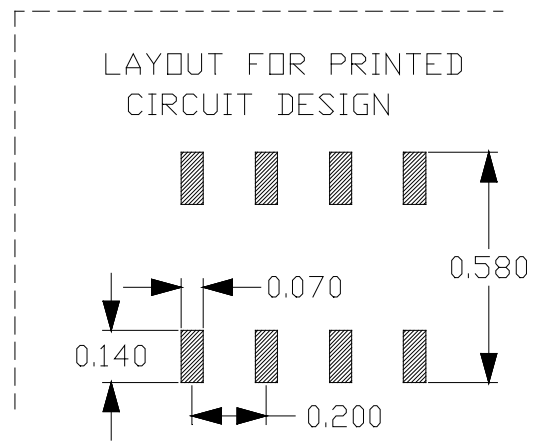
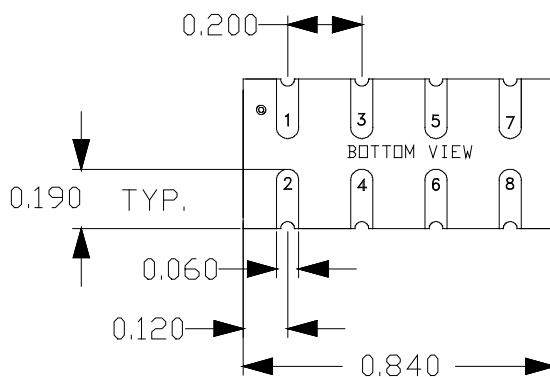
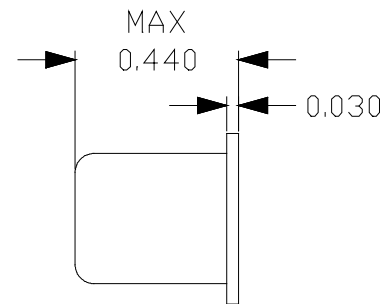
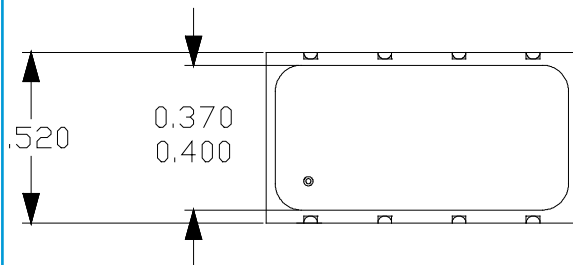
**SPECIFICATIONS:(Rev. "A" - 9/30/99)**

<b>Center Frequency:</b>	10.7 MHz	<b>40 dB Bandwidth:</b>	3.40 - 32.1 MHz
<b>Passband Insertion Loss:</b>	1.5 dB (Max)	<b>Power Rating:</b>	1 Watt (Max.)
<b>Passband:</b>	9.8 - 11.6 MHz	<b>Impedance:</b>	50 Ohms
<b>20 dB Bandwidth:</b>	7.49 - 13.9 MHz	<b>Operating Temp. Range:</b>	-20° to +70° C



**MECHANICAL OUTLINE:102S**

PIN-OUT	
Input	1
Output	8
Case Ground	All Others



# BAND PASS FILTER MODEL FIS-10.7

OPTIMIZED BANDWIDTH

$F_c = 10.7 \text{ MHz}$

## PERFORMANCE PLOTS

