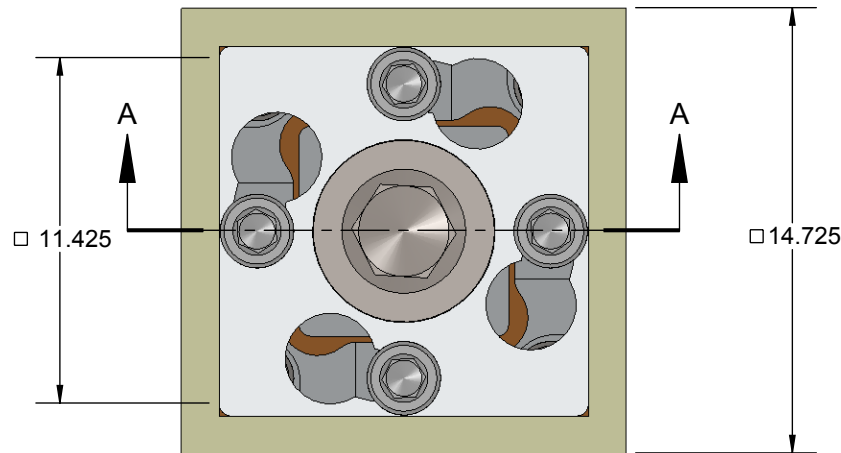


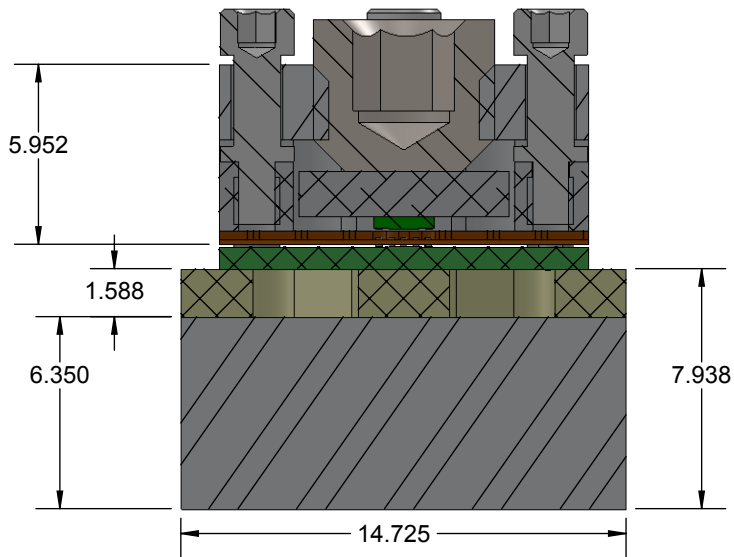
Silver button GT-QFN Socket - Direct mount, solderless

Features

- Directly mounts to target PCB (needs tooling holes) with hardware
- High speed, reliable Elastomer connection
- Minimum real estate required
- Compression plate distributes forces evenly
- Easily removable swivel socket lid

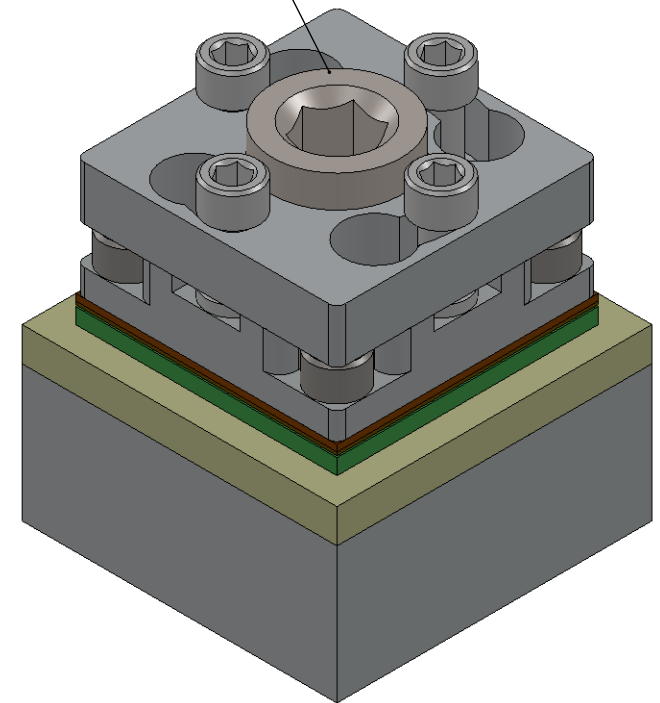


TOP VIEW



SECTION A-A


Recommended Torque
4.24 N-cm [6 ozf-in]

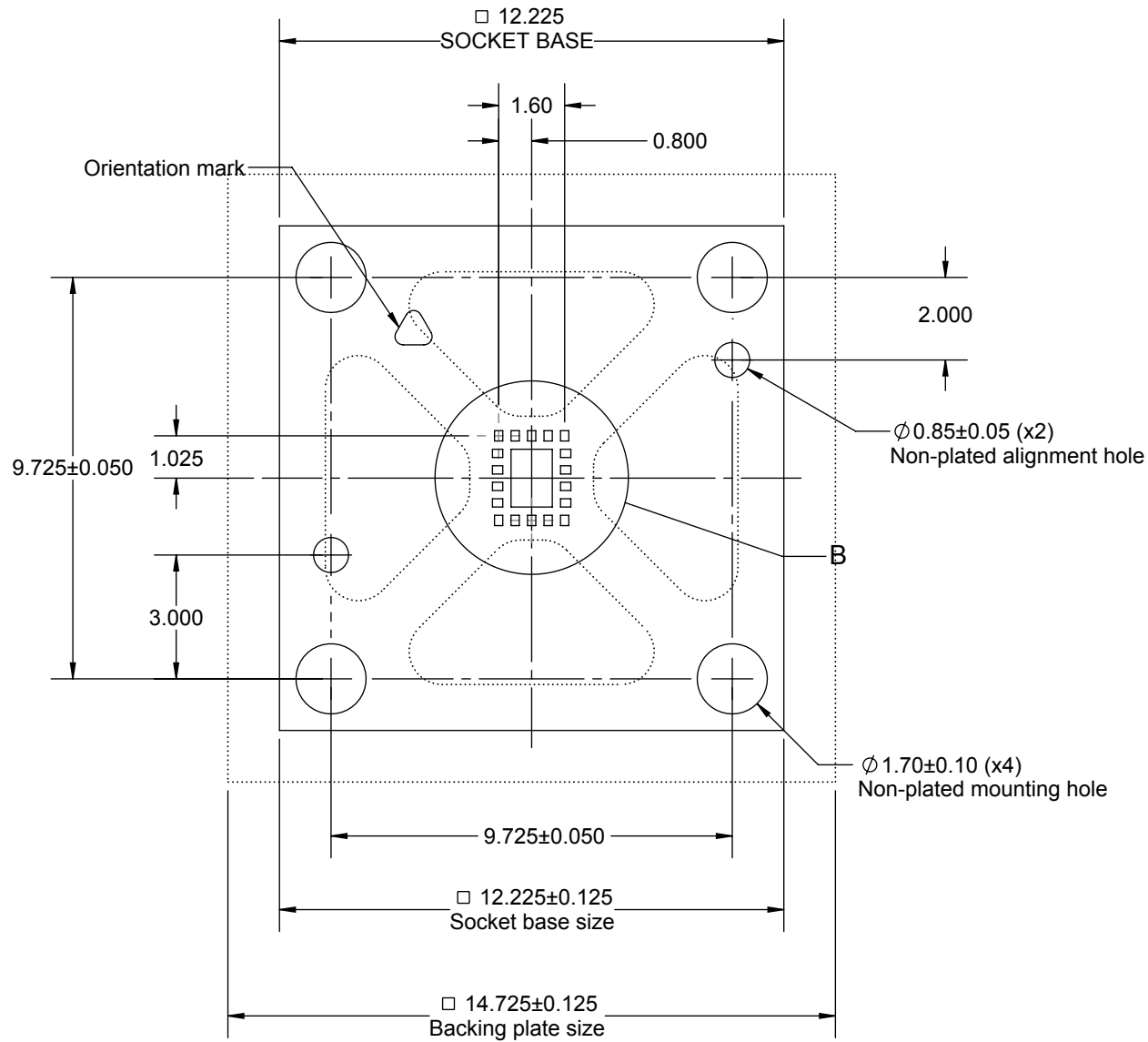


Description: GT-QFN 2.0x2.4mm 0.4mm pitch QFN18

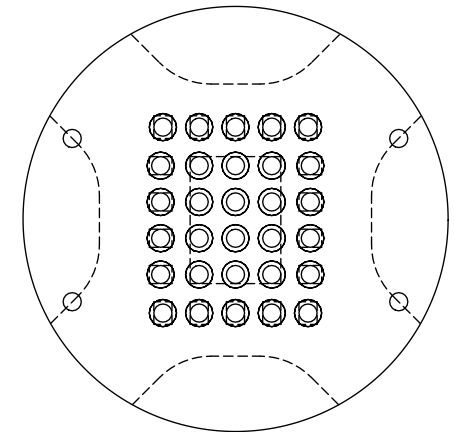
Primary dimension units are millimeters, Secondary dimension units are [inches], Weight is in grams.

Tolerances: Hole diameters $\pm 0.03\text{mm}$ [$\pm 0.001"$], Pitches (from true position) $\pm 0.025\text{mm}$ [$\pm 0.001"$], substrate thickness tolerance $\pm 10\%$, all other tolerances $\pm 0.13\text{mm}$ [$\pm 0.005"$] unless stated otherwise. Materials and specifications are subject to change without notice.

 <p>©2015 Ironwood Electronics, Inc. Tele: (800) 404-0204 www.ironwoodelectronics.com</p>	<p>GT-QFN-3005 Drawing</p>	<p>Material: N/A Finish: N/A Weight: 7.70</p>	<p>STATUS: Released</p>	<p>SHEET: 1 OF 4</p>	<p>REV. A</p>
			<p>ENG: J. Vavra</p>	<p>DRAWN BY: M. Raske</p>	<p>SCALE: 4:1</p>
			<p>FILE: GT-QFN-3005 Dwg</p>	<p>DATE: 06/30/2015</p>	



Pin Placement




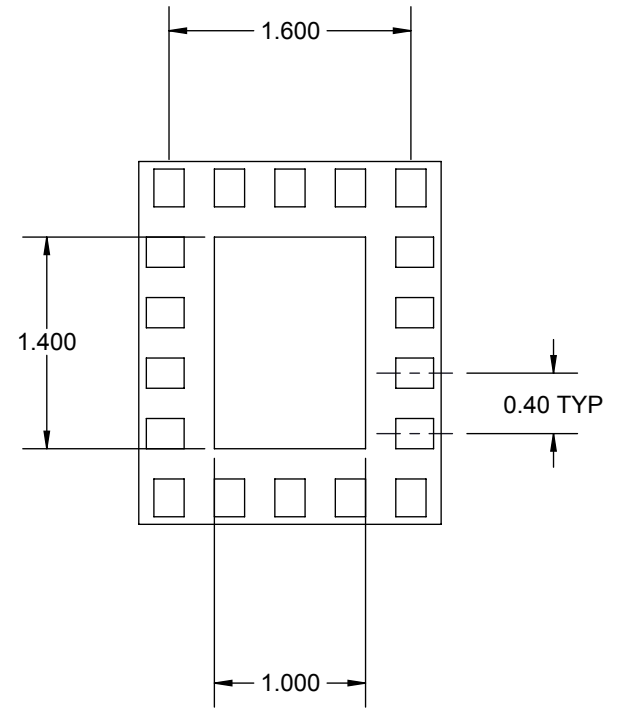
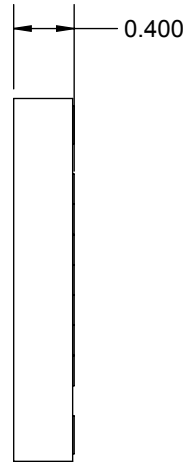
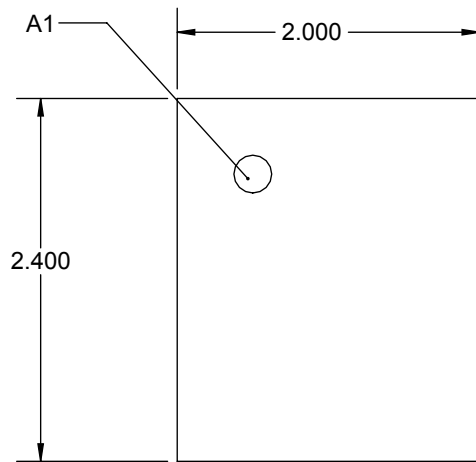
DETAIL B
SCALE 12 : 1

Description: Recommended PCB Layout

Primary dimension units are millimeters, Secondary dimension units are [inches], Weight is in grams.

Tolerances: Hole diameters $\pm 0.0254\text{mm}$ [$\pm 0.001"$], Pitches (from true position) $\pm 0.0762\text{mm}$ [$\pm 0.003"$], substrate thickness tolerance $\pm 10\%$, all other tolerances $\pm 0.127\text{mm}$ [$\pm 0.005"$] unless stated otherwise. Materials and specifications are subject to change without notice.

	GT-QFN-3005 Drawing ©2015 Ironwood Electronics, Inc. Tele: (800) 404-0204 www.ironwoodelectronics.com	Material: N/A Finish: N/A Weight: 7.70	STATUS: Released	SHEET: 2 OF 4	REV. A
			ENG: J. Vavra	DRAWN BY: M. Raske	SCALE: 6:1
			FILE: GT-QFN-3005 Dwg	DATE: 06/30/2015	




Dimensions are in millimeters.

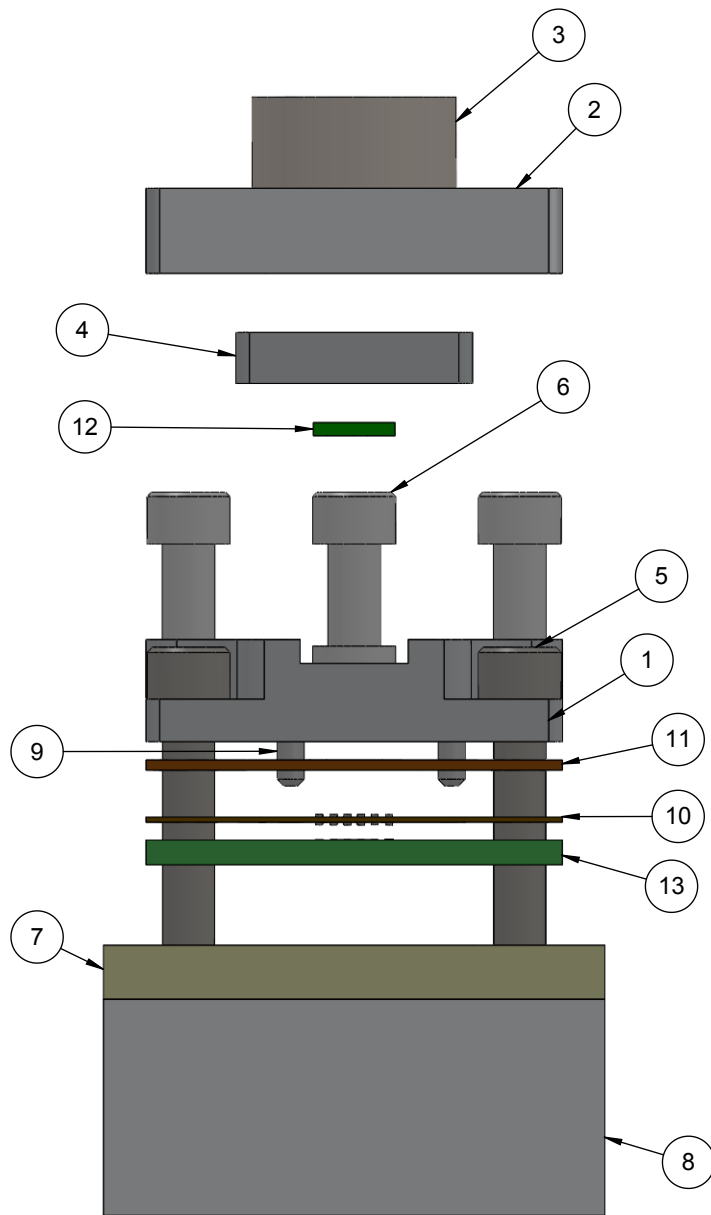
1. Interpret dimensions and tolerances per ASME Y14.5M-1994.
2. Parallelism measurement shall exclude any effect of mark on top surface of package.

Description: Compatible Device

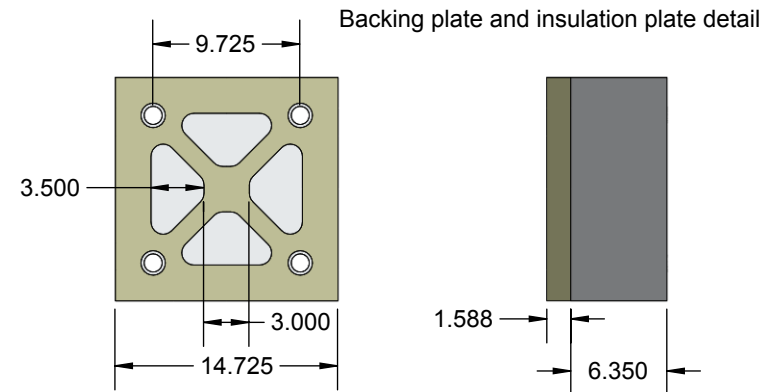
Primary dimension units are millimeters, Secondary dimension units are [inches], Weight is in grams.

Tolerances: Hole diameters $\pm 0.0254\text{mm}$ [$\pm 0.001"$], Pitches (from true position) $\pm 0.0762\text{mm}$ [$\pm 0.003"$], substrate thickness tolerance $\pm 10\%$, all other tolerances $\pm 0.127\text{mm}$ [$\pm 0.005"$] unless stated otherwise. Materials and specifications are subject to change without notice.

 GT-QFN-3005 Drawing ©2015 Ironwood Electronics, Inc. Tele: (800) 404-0204 www.ironwoodelectronics.com	Material: N/A Finish: N/A Weight: 7.70	STATUS: Released	SHEET: 3 OF 4	REV. A
		ENG: J. Vavra	DRAWN BY: M. Raske	SCALE: 20:1
		FILE: GT-QFN-3005 Dwg	DATE: 06/30/2015	




ITEM NO.	DESCRIPTION	Material
1	Socket Base 7mm	7075-T6 (SN)
2	Socket Lid 7mm	7075-T6 Aluminum Alloy
3	Compression Screw M6x1	Stainless Steel (18-8)
4	Compression Plate 7mm IC, 1.5mm thick	7075-T6 (SN)
5	#0-80 X .375 LG, SOC HD CAP SCREW, ALLOY STL, BLK OXIDE	Alloy Steel
6	#0-80 Shoulder Screw, 1.59mm thread length	Stainless Steel (303)
7	Insulation Plate 7mm	FR4 Standard
8	Backing Plate	7075-T6 Aluminum Alloy
9	Alignment Pin 1/32" dia. x 1/8" lng	Chrome Stainless Steel
10	GT elastomer for 2.0x2.4mm 0.4mm pitch QFN18	N/A
11	IC guide 2.0x2.4mm 0.4mm pitch QFN18	Kapton Polyimide/Cirlex
12	Test Chip 2.0x2.4mm 0.4mm pitch QFN18	Material <not specified>
13	Test PCB 2.0x2.4mm 0.4mm pitch QFN18	FR4 High temp



Description: Socket, Backing Plate Detail

Primary dimension units are millimeters, Secondary dimension units are [inches], Weight is in grams.

Tolerances: Hole diameters $\pm 0.0254\text{mm}$ [$\pm 0.001"$], Pitches (from true position) $\pm 0.0762\text{mm}$ [$\pm 0.003"$], substrate thickness tolerance $\pm 10\%$, all other tolerances $\pm 0.127\text{mm}$ [$\pm 0.005"$] unless stated otherwise. Materials and specifications are subject to change without notice.

 GT-QFN-3005 Drawing ©2015 Ironwood Electronics, Inc. Tele: (800) 404-0204 www.ironwoodelectronics.com	Material: N/A Finish: N/A Weight: 7.70	STATUS: Released ENG: J. Vavra FILE: GT-QFN-3005 Dwg	SHEET: 4 OF 4 DRAWN BY: M. Raske DATE: 06/30/2015	REV. A SCALE: 4.5:1
--	--	--	---	------------------------