

SOT Component Package Adapters

SOT COMPONENT ADAPTER MODULES ELIMINATE THE NEED TO REDESIGN MOTHERBOARDS OR MAY BE USED FOR BREADBOARD PROTOTYPING

DESCRIPTION

This new family of Accutek DIP Adapter Modules convert surface mount SOT IC's to pin compatible DIP, SIP and ZIP packages for creating drop-in replacements for end-of-life SOT IC's.

SOT Adapters were developed for users with motherboard designs that require DIP's, SIP's or ZIP's, now obsoleted by manufacturers. These adapter modules save costly motherboard redesigns.

Available with machined or flat contact pins. Accutek SOT Adapter Modules feature 3 to 8 pins and are fully assembled and tested. These SOT Adapters can be manufactured turnkey or from customer supplied surface mount chips. The SIP and ZIP configurations stand straight up from the surface of the motherboard for better free air heat dissipation. A heat sink can be attached.

Custom configurations up to 200 pins, multi-chip and double sided modules are also available for special functions. A variety of pin lengths with varying diameters as well as custom sizes and spacing can be specified with different materials and finishes. All modules are designed in-house using PCB CAD workstations. Assembly and 100% testing are also performed in-house.

FEATURES

- Saves costly redesign of current motherboards
- Fully tested with life time limited warranty
- IC assembly and testing available
- Custom lead lengths available
- Custom multi-chip and double-sided modules available

ORDERING OPTIONS

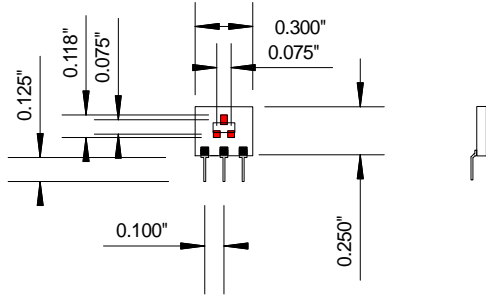
- Adapter only
- Customer supplies chips - Accutek assembles on Accutek adapters, tests and delivers finished product in antistatic tubes.
- Complete turnkey - Accutek purchases IC's. Then assembles, tests and delivers finished product in antistatic tubes.



5 NEW PASTURE ROAD
NEWBURYPORT, MA 01950-4040
PHONE: 978-465-6200 FAX: 978-462-3396
Email: sales@accutekmicro.com
Internet: www.accutekmicro.com

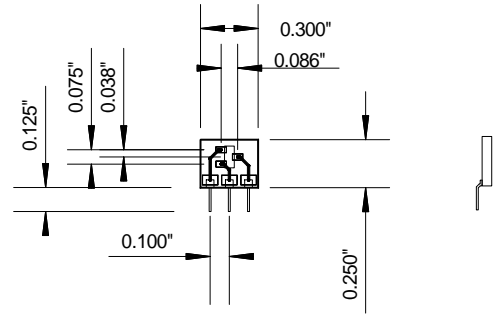
AK03G-SOT23

3 Pin SOT23 to 3 Pin SIP



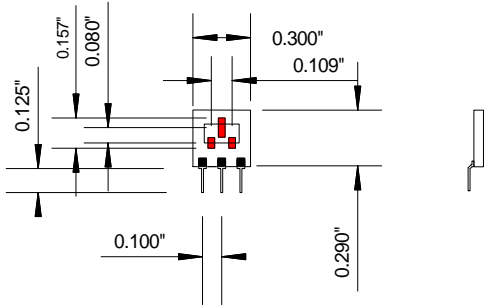
AK03G-SOT23-IPC

3 Pin SOT23 to 3 Pin SIP



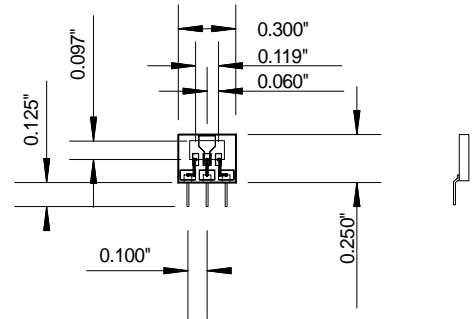
AK03G-SOT89-1.4mm

3 Pin SOT89-1.4mm pitch to 3 Pin SIP



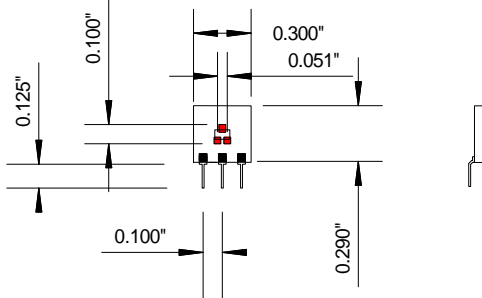
AK03G-SOT89

3 Pin SOT89 to 3 Pin SIP



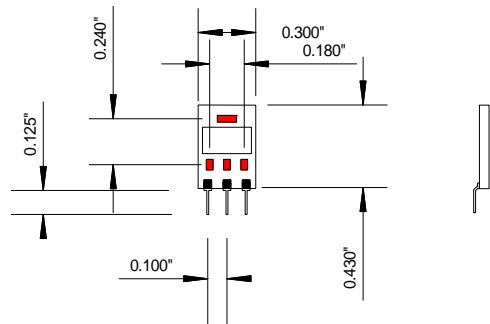
AK03G-SC70

3 Pin SC70 to 3 Pin SIP



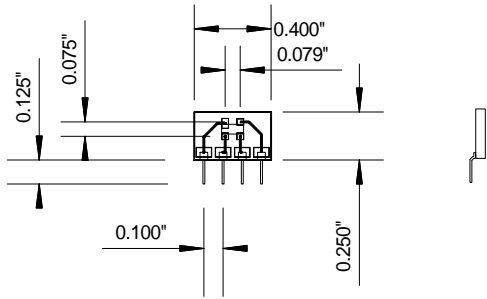
AK03G-SOT223-3P

3 Pin SOT 223 to 3 Pin SIP



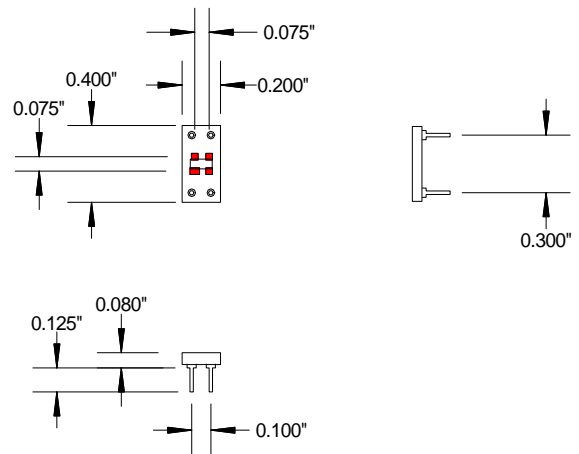
AK04G-SOT143

4 Pin SOT143 to 4 Pin SIP



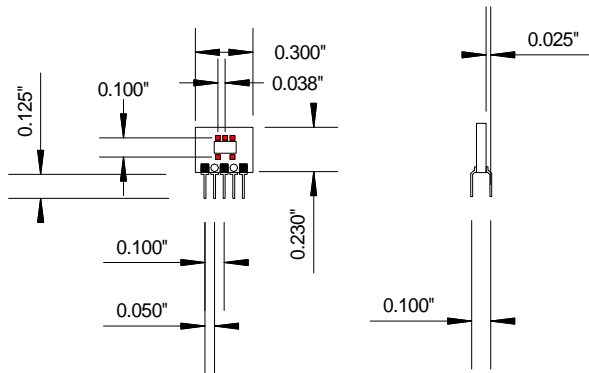
AK04D300-SOT

4 PIN SOT TO DIP



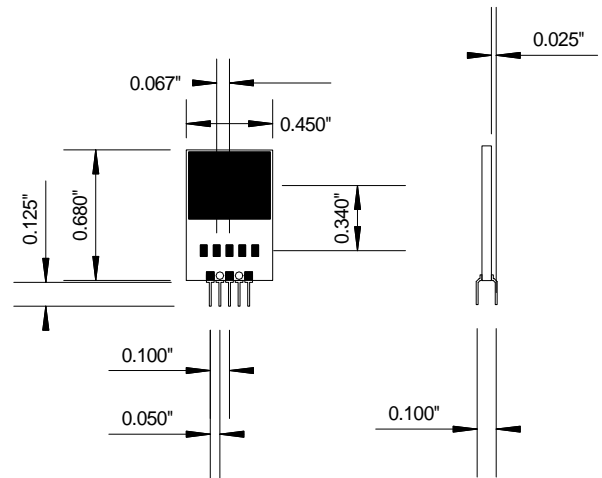
AK05Z-SOT

5 Pin SOT to 5 Pin ZIP



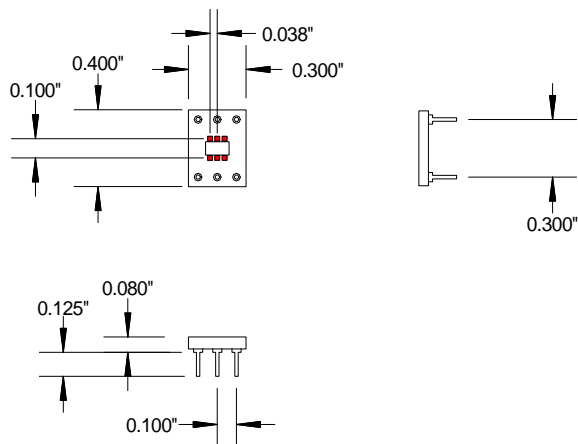
AK05Z-SOT223-5P

5 Pin SOT 223 to 5 Pin ZIP



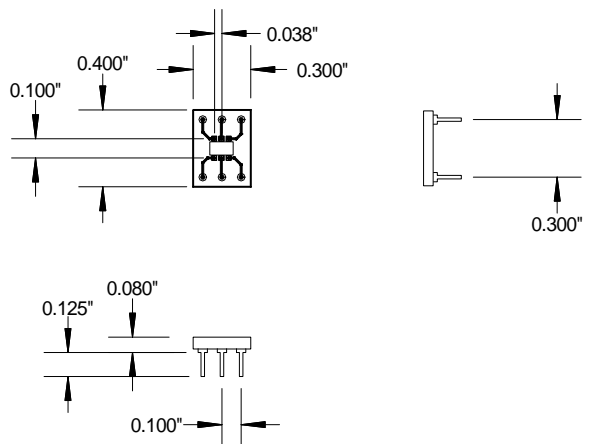
AK06D300SOT

6 PIN SOT TO DIP

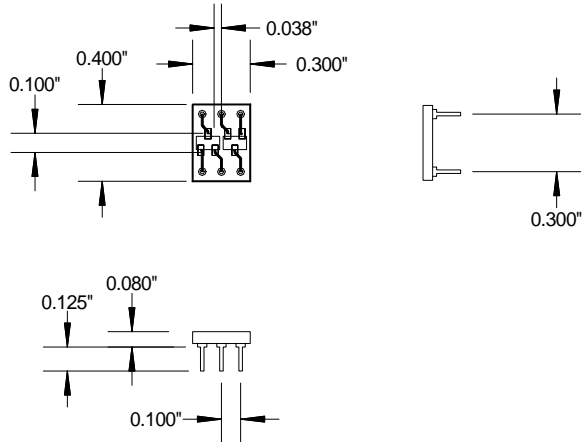


AK06D300-SOT

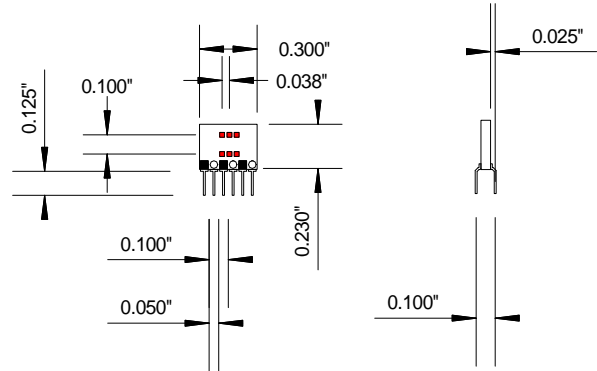
6 PIN SOT TO DIP



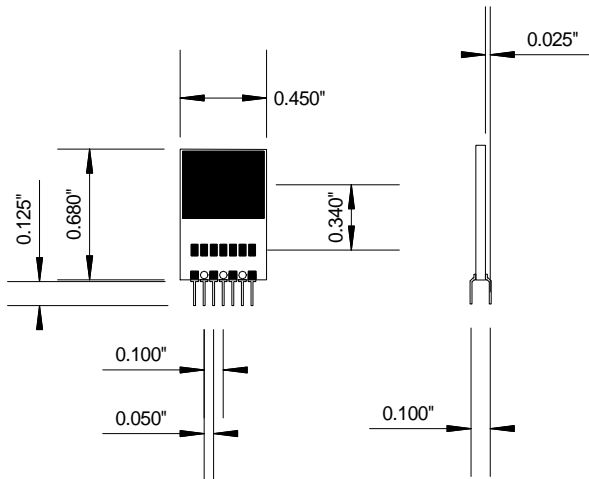
AK06D300-2-SOT
TWO 3 PIN SOT23s TO 6 PIN DIP



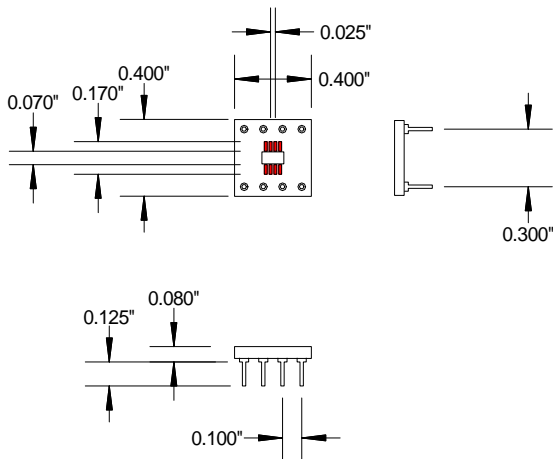
AK06Z-SOT
6 Pin SOT to 6 Pin ZIP



AK07Z-SOT223-7P
7 Pin SOT 223 to 7 Pin ZIP



AK08D300SOT
8 PIN SOT TO DIP



AK08D300-SOT
8 PIN SOT TO DIP

