

HD3SS3202 Two-Channel Differential 2:1/1:2 USB3.1 Mux/Demux

1 Features

- Provides MUX/DEMUX Solution for USB Type-C™ Ecosystem for USB 3.1 Gen 1 and Gen 2 Data Rates
- Compatible With MIPI DSI/CSI-2 DPHY, LVDS, PCIE Gen III, SATA Express, SATA
- Operates up to 10 Gbps
- Wide –3-dB Differential BW of over 8 GHz
- Excellent Dynamic Characteristics (at 5 GHz)
 - Crosstalk = –41 dB
 - Off Isolation = –20 dB
 - Insertion Loss = –2.4 dB
 - Return Loss = –8 dB
- Bidirectional "Mux/De-Mux" Differential Switch
- Supports Common Mode Voltage 0 to 2 V
- Single Supply Voltage V_{CC} of 3.3 V $\pm 10\%$
- Commercial Temperature Range of 0°C to 70°C (HD3SS3202)
- Industrial Temperature Range of –40°C to 85°C (HD3SS3202I)

2 Applications

- USB Type-C™ Ecosystem
- Desktop and Notebook PCs
- Shared I/O Ports
- Docking Stations
- Monitors, TVs
- Set Top Box
- Network Security Cameras

3 Description

The HD3SS3202 is a high-speed bidirectional passive switch in mux or demux configurations suited for USB Type-C™ applications that support USB 3.1 Gen 1 and Gen 2 data rates. Based on control pin SEL, the device supplies switching on differential channels between Port B or Port C to Port A.

The HD3SS3202 is a generic analog differential passive switch. It works with any high-speed interface application that requires a common mode voltage range of 0 to 2 V, and requires a differential signaling with differential amplitude at a maximum of 1800 mVpp. The device has adaptive tracking that makes sure the channel stays unchanged for the full common mode voltage range.

The device allows high-speed switching with minimum attenuation to the signal eye diagram with little added jitter. It uses < 1.65 mW (typical) of power when in operation. It has a shutdown mode that is used by the OEn pin resulting < .02 μ W (typical).

Device Information⁽¹⁾

PART NUMBER	PACKAGE	BODY SIZE (NOM)
HD3SS3202 HD3SS3202I	UQFN (16)	2.60 mm x 1.80 mm

(1) For all available packages, see the orderable addendum at the end of the data sheet.

Simplified Schematic

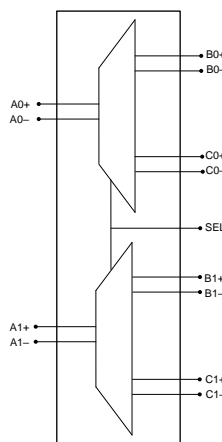


Table of Contents

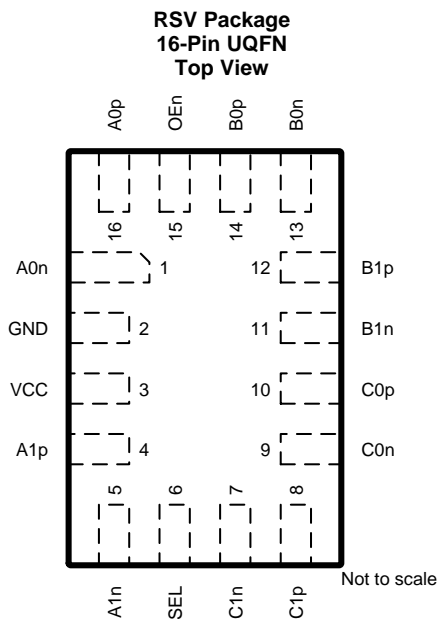
1 Features	1	8.3 Feature Description.....	9
2 Applications	1	8.4 Device Functional Modes.....	10
3 Description	1	9 Application and Implementation	11
4 Revision History	2	9.1 Application Information.....	11
5 Pin Configuration and Functions	3	9.2 Typical Applications	14
6 Specifications	4	9.3 Systems Examples.....	15
6.1 Absolute Maximum Ratings	4	10 Power Supply Recommendations	18
6.2 ESD Ratings.....	4	11 Layout	18
6.3 Recommended Operating Conditions.....	4	11.1 Layout Guidelines	18
6.4 Thermal Information	4	11.2 Layout Example	18
6.5 Electrical Characteristics.....	5	12 Device and Documentation Support	19
6.6 High-Speed Performance Parameters.....	5	12.1 Receiving Notification of Documentation Updates	19
6.7 Switching Characteristics	6	12.2 Community Resources.....	19
6.8 Typical Characteristics.....	6	12.3 Trademarks	19
7 Parameter Measurement Information	7	12.4 Electrostatic Discharge Caution.....	19
8 Detailed Description	9	12.5 Glossary	19
8.1 Overview	9	13 Mechanical, Packaging, and Orderable	19
8.2 Functional Block Diagram	9	Information	19

4 Revision History

NOTE: Page numbers for previous revisions may differ from page numbers in the current version.

DATE	REVISION	NOTES
May 2018	*	Initial release.

5 Pin Configuration and Functions



Pin Functions

PIN		I/O	DESCRIPTION
NAME	NO.		
A0n	1	I/O	Port A, channel 0, high-speed negative signal
GND	2	G	Ground
V _{CC}	3	P	3.3-V power
A1p	4	I/O	Port A, channel 1, high-speed positive signal
A1n	5	I/O	Port A, channel 1, high-speed negative signal
SEL	6	I	Port select pin. To help with noise immunity, a 0.01 μ F capacitor to GND on this pin is suggested. L: Port A to Port B H: Port A to Port C
C1n	7	I/O	Port C, channel 1, high-speed negative signal (connector side)
C1p	8	I/O	Port C, channel 1, high-speed positive signal (connector side)
C0n	9	I/O	Port C, channel 0, high-speed negative signal (connector side)
C0p	10	I/O	Port C, channel 0, high-speed positive signal (connector side)
B1n	11	I/O	Port B, channel 1, high-speed negative signal (connector side)
B1p	12	I/O	Port B, channel 1, high-speed positive signal (connector side)
B0n	13	I/O	Port B, channel 0, high-speed negative signal (connector side)
B0p	14	I/O	Port B, channel 0, high-speed positive signal (connector side)
OEn	15	I	Active-low chip enable. To help with noise immunity, a 0.01 μ F capacitor to GND on this pin is suggested. L: Normal operation H: Shutdown
A0p	16	I/O	Port A, channel 0, high-speed positive signal

6 Specifications

6.1 Absolute Maximum Ratings

over operating free-air temperature range (unless otherwise noted)⁽¹⁾

		MIN	MAX	UNIT
V _{CC}	Supply voltage	-0.5	4	V
Voltage	Differential I/O	-0.5	2.5	V
	Control pins	-0.5	V _{CC} + 0.5	
T _{stg}	Storage temperature	-65	150	°C

(1) Stresses beyond those listed under *Absolute Maximum Ratings* may cause permanent damage to the device. These are stress ratings only, which do not imply functional operation of the device at these or any other conditions beyond those indicated under *Recommended Operating Conditions*. Exposure to absolute-maximum-rated conditions for extended periods may affect device reliability.

6.2 ESD Ratings

		VALUE	UNIT
V _(ESD)	Electrostatic discharge	Human-body model (HBM), per ANSI/ESDA/JEDEC JS-001 ⁽¹⁾	±2000
		Charged-device model (CDM), per JEDEC specification JESD22-C101 ⁽²⁾	±500

(1) JEDEC document JEP155 states that 500-V HBM allows safe manufacturing with a standard ESD control process.

(2) JEDEC document JEP157 states that 250-V CDM allows safe manufacturing with a standard ESD control process.

6.3 Recommended Operating Conditions

over operating free-air temperature range (unless otherwise noted)

		MIN	NOM	MAX	UNIT
V _{CC}	Supply voltage	3	3.3	3.6	V
V _{ih}	Input high voltage (SEL, OEn pins)	2		V _{CC}	V
V _{il}	Input low voltage (SEL, OEn pins)	-0.1		0.8	V
V _{diff}	High-speed signal pins differential voltage	0		1.8	V _{pp}
V _{cm}	High speed signal pins common mode voltage	0		2	V
T _A	Operating free-air/ambient temperature	HD3SS3202RSV		70	°C
		HD3SS3202IRSV	-40	85	

6.4 Thermal Information

THERMAL METRIC ⁽¹⁾		HD3SS3202	UNIT
		RSV (VQFN)	
		16 PINS	
R _{θJA}	Junction-to-ambient thermal resistance	117.3	°C/W
R _{θJC(top)}	Junction-to-case (top) thermal resistance	52.1	°C/W
R _{θJB}	Junction-to-board thermal resistance	52.6	°C/W
ψ _{JT}	Junction-to-top characterization parameter	1.2	°C/W
ψ _{JB}	Junction-to-board characterization parameter	51.1	°C/W
R _{θJC(bot)}	Junction-to-case (bottom) thermal resistance	n/a	°C/W

(1) For more information about traditional and new thermal metrics, see the [Semiconductor and IC Package Thermal Metrics](#) application report.

6.5 Electrical Characteristics

over operating free-air temperature range (unless otherwise noted)

PARAMETER		TEST CONDITIONS	MIN	TYP	MAX	UNIT
I_{CC}	Device active current	$V_{CC} = 3.3\text{ V}$, $OEN = 0$		0.5	0.6	mA
I_{STDN}	Device shutdown current	$V_{CC} = 3.3\text{ V}$, $OEN = V_{CC}$		0.005	1	μA
C_{ON}	Output ON capacitance to GND			0.6		pF
C_{OFF}	Output OFF capacitance to GND			0.8		pF
R_{ON}	Output ON resistance	$V_{CC} = 3.3\text{ V}$; $V_{CM} = 0\text{ to }2\text{ V}$; $I_O = -8\text{ mA}$		5	8	Ω
ΔR_{ON}	On-resistance match between pairs of the same channel	$V_{CC} = 3.3\text{ V}$; $-0.35\text{ V} \leq V_{IN} \leq 2.35\text{ V}$; $I_O = -8\text{ mA}$			0.7	Ω
R_{FLAT_ON}	On-resistance flatness $R_{ON}(MAX) - R_{ON}(MIN)$	$V_{CC} = 3.3\text{ V}$; $-0.35\text{ V} \leq V_{IN} \leq 2.35\text{ V}$			1	Ω
$I_{IH,CTRL}$	Input high current, control pins (SEL, OEn)				1	μA
$I_{IL,CTRL}$	Input low current, control pins (SEL, OEn)				1	μA
$I_{IH,HS}$	Input high current, high-speed pins [Ax/Bx/Cx][p/n]	$V_{IN} = 2\text{ V}$ for selected port, A and B with SEL = 0, and A and C with SEL = V_{CC}			1	μA
$I_{IH,HS}$	Input high current, high-speed pins [Ax/Bx/Cx][p/n]	$V_{IN} = 2\text{ V}$ for non-selected port, C with SEL = 0, and B with SEL = V_{CC} ⁽¹⁾		100	140	μA
$I_{IL,HS}$	Input low current, high-speed pins [Ax/Bx/Cx][p/n]				1	μA

(1) There is a 20-k Ω pull-down in non-selected port.

6.6 High-Speed Performance Parameters

PARAMETER	TEST CONDITION	MIN	TYP	MAX	UNIT
I_L	Differential insertion loss	$f = 0.3\text{ MHz}$		-0.4	dB
		$f = 0.625\text{ MHz}$		-0.4	
		$f = 2.5\text{ GHz}$		-1.3	
		$f = 4\text{ GHz}$		-2.0	
		$f = 5\text{ GHz}$		-2.4	
BW	-3-dB bandwidth		8		GHz
R_L	Differential return loss	$f = 0.3\text{ MHz}$		-27	dB
		$f = 2.5\text{ GHz}$		-11	
		$f = 4\text{ GHz}$		-9	
		$f = 5\text{ GHz}$		-8	
O_{IRR}	Differential OFF isolation	$f = 0.3\text{ MHz}$		-77	dB
		$f = 2.5\text{ GHz}$		-23	
		$f = 4\text{ GHz}$		-21	
		$f = 5\text{ GHz}$		-20	
X_{TALK}	Differential crosstalk	$f = 0.3\text{ MHz}$		-82	dB
		$f = 2.5\text{ GHz}$		-44	
		$f = 4\text{ GHz}$		-41	
		$f = 5\text{ GHz}$		-41	

6.7 Switching Characteristics

PARAMETER		MIN	TYP	MAX	UNIT
t _{PD}	Switch propagation delay (see Figure 4)			80	ps
t _{SW_ON}	Switching time SEL-to-Switch ON (see Figure 3)			0.5	μs
t _{SW_OFF}	Switching time SEL-to-Switch OFF (see Figure 3)			0.5	μs
t _{SK_INTRA}	Intra-pair output skew (see Figure 4)			6	ps
t _{SK_INTER}	Inter-pair output skew (see Figure 4)			20	ps
t _{PD}	Average propagation delay, see Figure 1	f = 100 MHz	16	54	ps
		f = 200 MHz	33	63	
		f = 300 MHz	33	59	
		f = 400 MHz	33	57	
		f = 500 MHz	33	56	
		f = 600 MHz	33	53	
		f = 700 MHz	33	50	
		f = 750 MHz	33	50	
		f = 800 MHz	33	50	
		f = 900 MHz	31	50	
	f = 1000 MHz	30	50		

6.8 Typical Characteristics

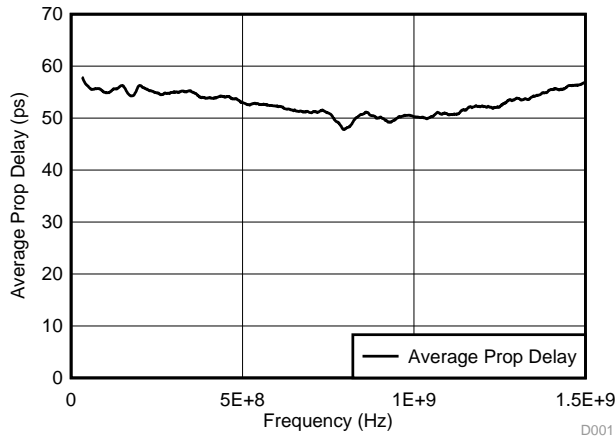


Figure 1. Average Propagation Delay vs Frequency

7 Parameter Measurement Information

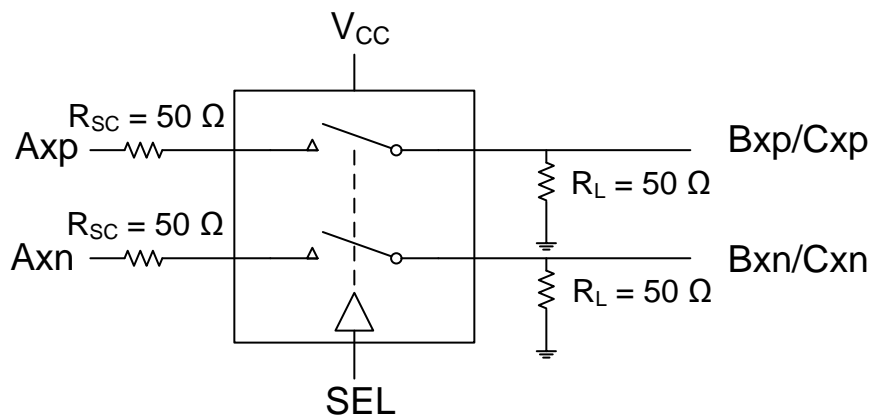


Figure 2. Test Setup

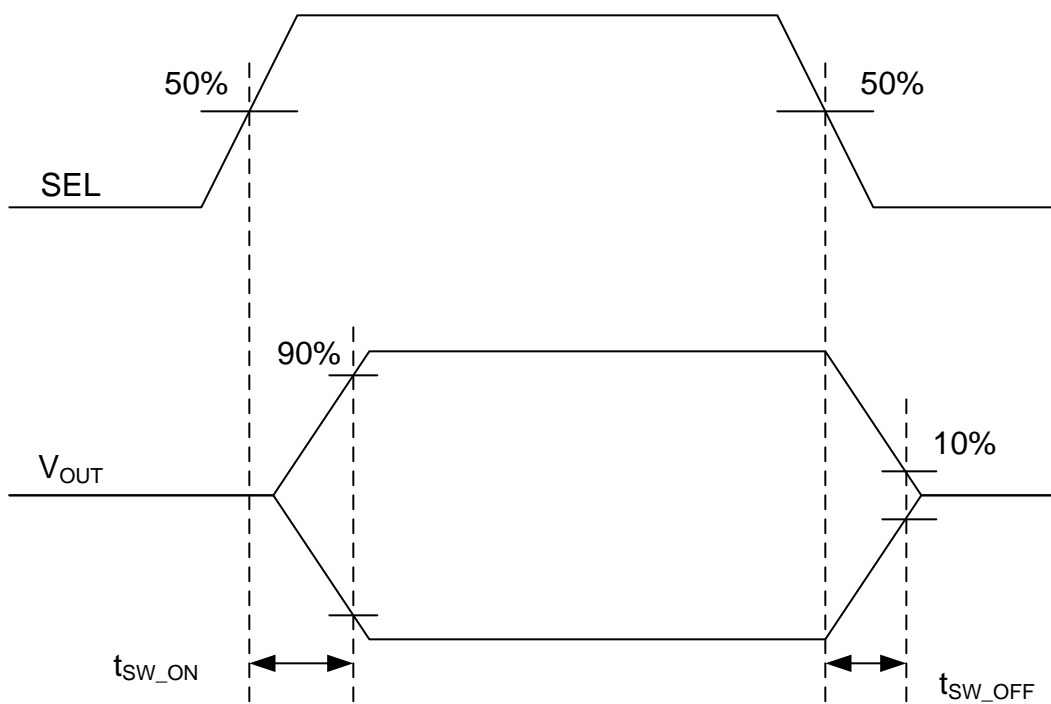
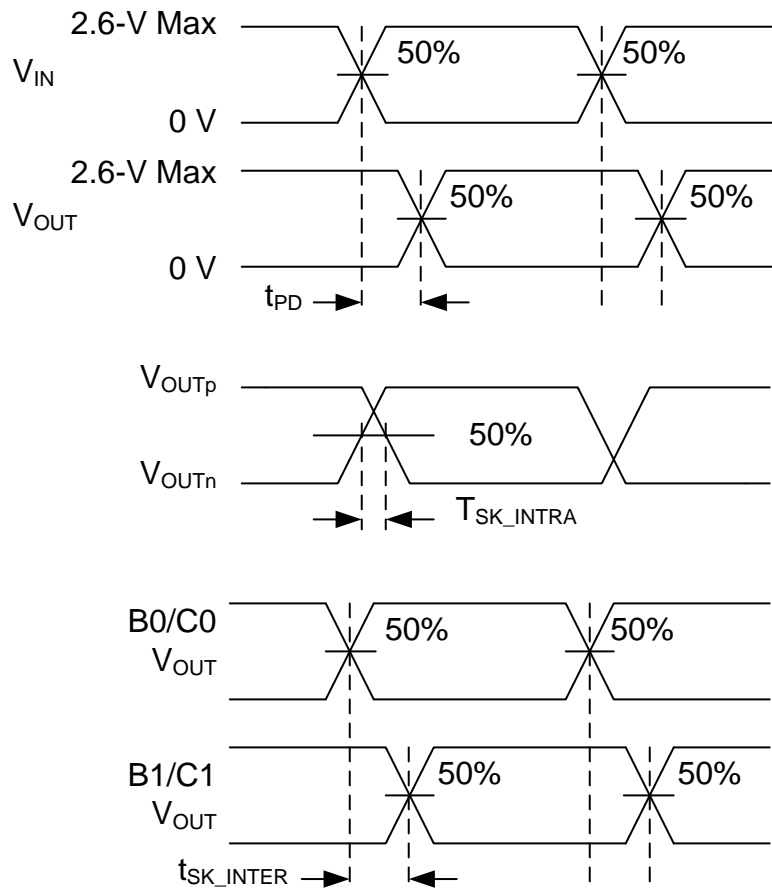


Figure 3. Switch On and Off Timing Diagram

Parameter Measurement Information (continued)

Figure 4. Timing Diagrams and Test Setup

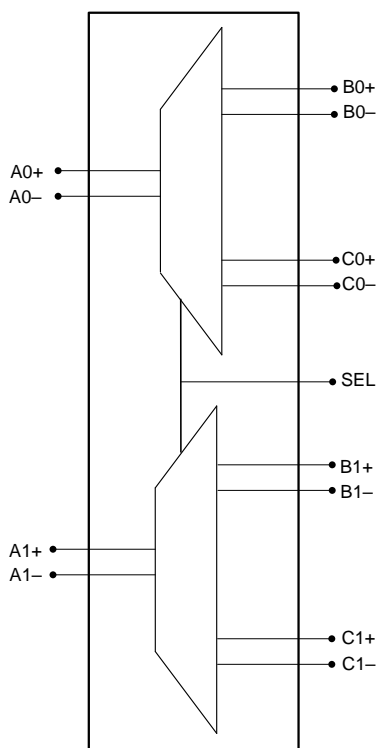
8 Detailed Description

8.1 Overview

The HD3SS3202 is a generic analog differential passive switch that can work for any high-speed interface applications requiring a common mode voltage range of 0 to 2 V and differential signaling with differential amplitude up to 1800 mVpp. It uses adaptive tracking to ensure the channel remains unchanged for the entire common mode voltage range.

Excellent dynamic characteristics of the device allow high-speed switching with minimum attenuation to the signal eye diagram with little added jitter. It consumes < 1.65 mW (typ) of power when operational and has a shutdown mode exercisable by OEn pin resulting in < .02 μ W (typical).

8.2 Functional Block Diagram



8.3 Feature Description

8.3.1 Output Enable and Power Savings

The HD3SS3202 has two power modes, active/normal operating mode and standby/shutdown mode. During standby mode, the device consumes little current to save the maximum power. To enter standby mode, the OEn control pin is pulled high through a resistor and must remain high. For active/normal operation, the OEn control pin should be pulled low to GND.

HD3SS3202 consumes < 1.65 mW (typ) of power when operational and has a shutdown mode exercisable by the OEn pin resulting in < .02 μ W (typ).

8.4 Device Functional Modes

Table 1. Port Select Control Logic⁽¹⁾

PORT A CHANNEL	PORT B OR PORT C CHANNEL CONNECTED TO PORT A CHANNEL	
	SEL = L	SEL = H
A0p	B0p	C0p
A0n	B0n	C0n
A1p	B1p	C1p
A1n	B1n	C1n

- (1) The HD3SS3202 can tolerate polarity inversions for all differential signals on Ports A, B, and C. Take care to ensure the same polarity is maintained on Port A versus Ports B/C.

9 Application and Implementation

NOTE

Information in the following applications sections is not part of the TI component specification, and TI does not warrant its accuracy or completeness. TI's customers are responsible for determining suitability of components for their purposes. Customers should validate and test their design implementation to confirm system functionality.

9.1 Application Information

The HD3SS3202 is a generic 2-channel high-speed mux/demux type of switch that can be used for routing high-speed signals between two different locations on a circuit board. The HD3SS3202 supports several high-speed data protocols with a differential amplitude of <math><1800\text{ mVpp}</math> and a common mode voltage of <math><2\text{ V}</math>, as with USB 3.1 and DisplayPort 1.2. The device has one select input (SEL) pin that can be controlled by an available GPIO pin within a system or from a microcontroller.

The HD3SS3202 with its adaptive common mode tracking technology can support applications where the common mode is different between the RX and TX pair. The two USB3.1 Type C connector applications show both a host and device side. The cable between the two connectors swivels the pairs to properly route the signals to the correct pin. The other applications are more generic because different connectors can be used.

Many interfaces require AC coupling between the transmitter and receiver. The 0201 capacitors are the preferred option to provide AC coupling; 0402 size capacitors also work. Avoid the capacitors greater than 0402 and C-packs. When placing AC coupling capacitors, symmetric placement is best. The designer should place them along the TX pairs on the system board, which are usually routed on the top layer of the board.

The AC coupling capacitors have several placement options. Because the HD3SS3202 requires a bias voltage, the designer must place the capacitors on one side of the switch. If they are placed on both sides of the switch, a biasing voltage should be provided. Figure 5 shows a few placement options. The coupling capacitors are placed between the HD3SS3202 and endpoint. In this situation, the HD3SS3202 is biased by the system/host controller.

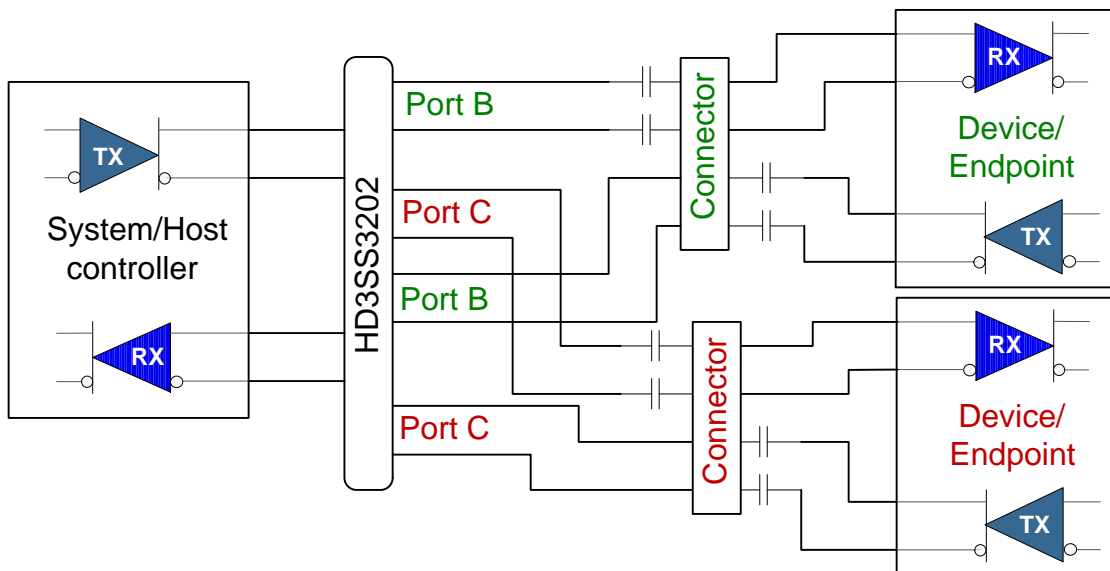


Figure 5. AC Coupling Capacitors between HD3SS3202 TX and Endpoint TX

Application Information (continued)

In Figure 6, the coupling capacitors are placed on the host transmit pair and endpoint transmit pair. In this situation, the switch on top is biased by the endpoint and the lower switch is biased by the host controller.

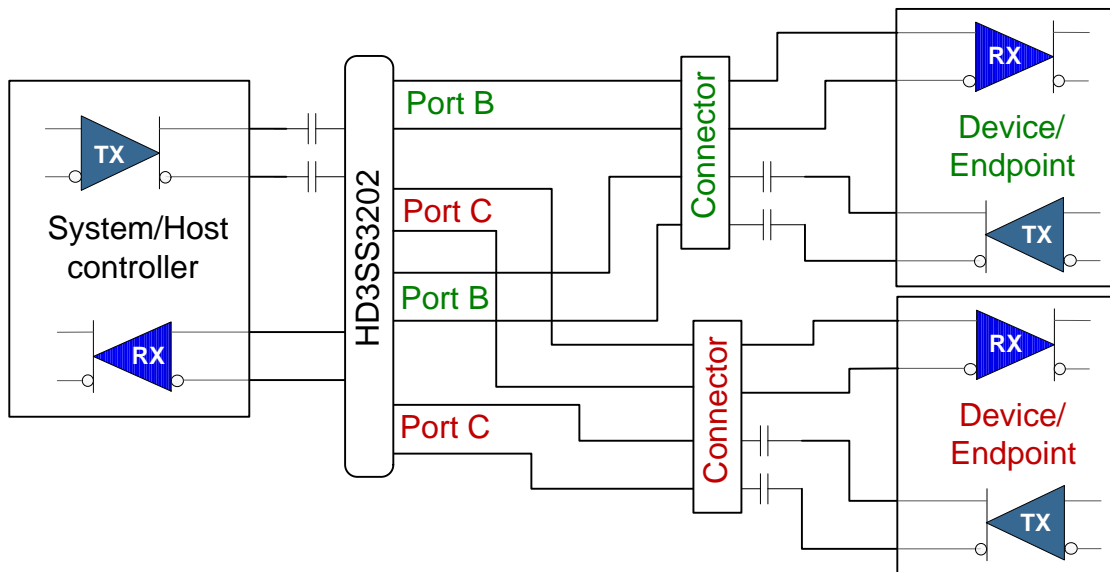
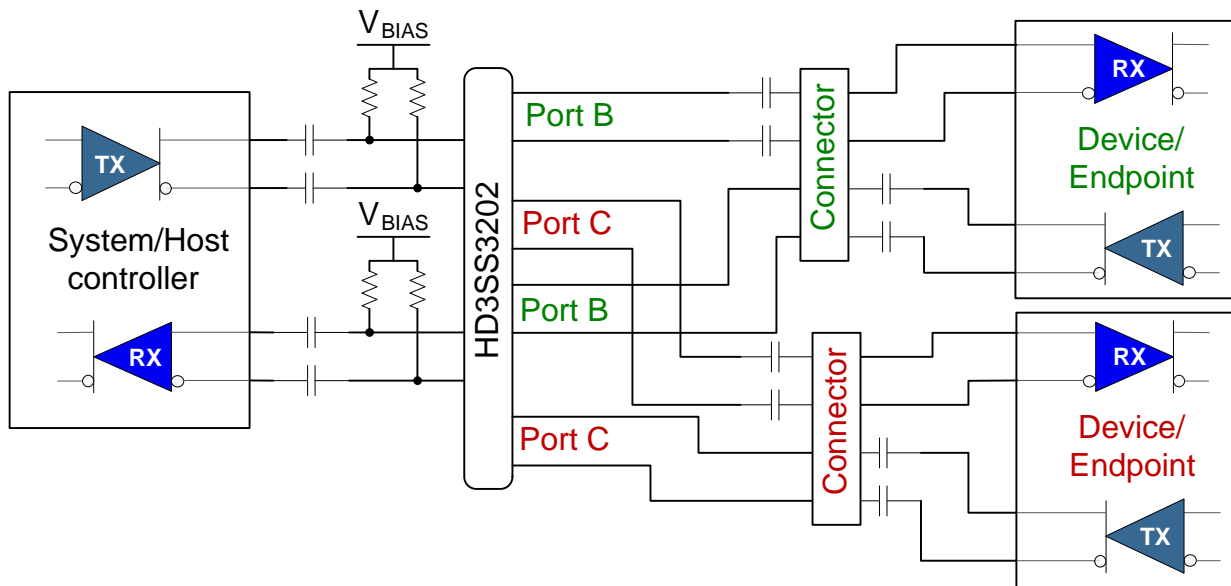


Figure 6. AC Coupling Capacitors on Host TX and Endpoint TX

If the common mode voltage in the system is higher than 2 V, the coupling capacitors are placed on both sides of the switch (shown in Figure 7). A biasing voltage of < 2 V is required in this case.



V_{BIAS} can be GND

Capacitor and resistor values depend upon application.

Figure 7. AC Coupling Capacitors on Both Sides of Switch

Application Information (continued)

The HD3SS3202 can be used with the USB Type C connector to support the connector's flip ability. Figure 8 provides the generic location for the AC coupling capacitors for this application.

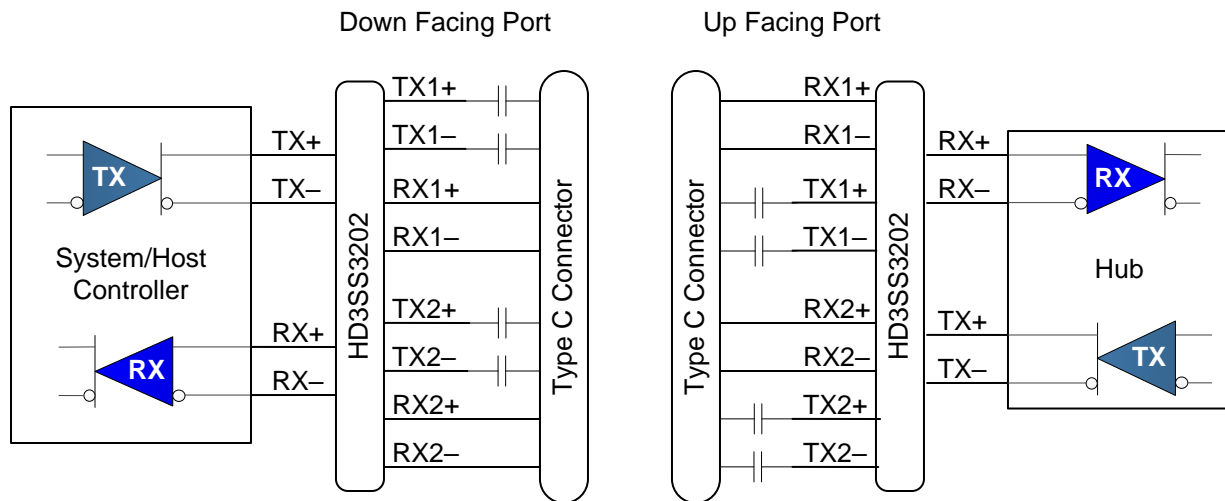


Figure 8. AC Coupling Capacitors for USB Type C

9.2 Typical Applications

9.2.1 Down Facing Port for USB3.1 Type C

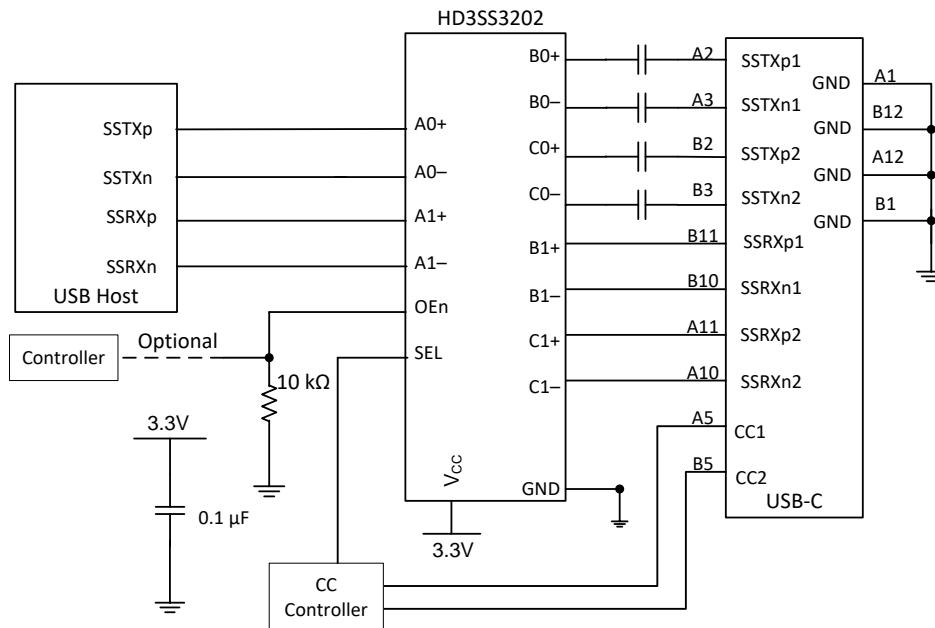


Figure 9. Down Facing Port for USB3.1 Type C Connector

9.2.1.1 Design Requirements

The HD3SS3202 can be designed into many different applications. All the applications have certain requirements for the system to work properly. The HD3SS3202 requires 3.3-V $\pm 10\%$ V_{CC} rail. The OEn pin must be low for device to work; otherwise, it disables the outputs. This pin can be driven by a processor. The expectation is that one side of the device has AC coupling capacitors. Table 2 provides information on expected values to perform properly.

Table 2. Design Parameters

DESIGN PARAMETER	VALUE
V_{CC}	3.3 V
AXp/n, BXp/n, CXp/n CM input voltage	0 to 2 V
Control/OEn pin max voltage for low	0.8 V
Control/OEn pin min voltage for high	2.0 V
AC coupling capacitor	75 nF to 265 nF.
R_{BIAS} (Figure 9) when needed	100 kΩ

9.2.1.2 Detailed Design Procedure

The HD3SS3202 is a high-speed passive switch device that can behave as a mux or demux. Because this is a passive switch, signal integrity is important because the device provides no signal conditioning capability. The device can support 1 to 2 inches of board trace and a connector on either end.

To design in the HD3SS3202, the designer needs to understand the following.

- Determine the loss profile between circuits that are to be muxed or demuxed.
- Provide clean impedance and electrical length matched board traces.
- Depending upon the application, determine the best place to put the 100-nF coupling capacitor.
- Provide a control signal for the SEL and OEn pins. It may be necessary to include a 0.01 μ F to GND on each of these pins to help with noise immunity.
- See the application schematics on recommended decouple capacitors from V_{CC} pins to ground

9.2.1.3 Application Curves

Figure 10 shows the eye at the input of the HD3SS3202 and Figure 11 at the output of the HD3SS3202.

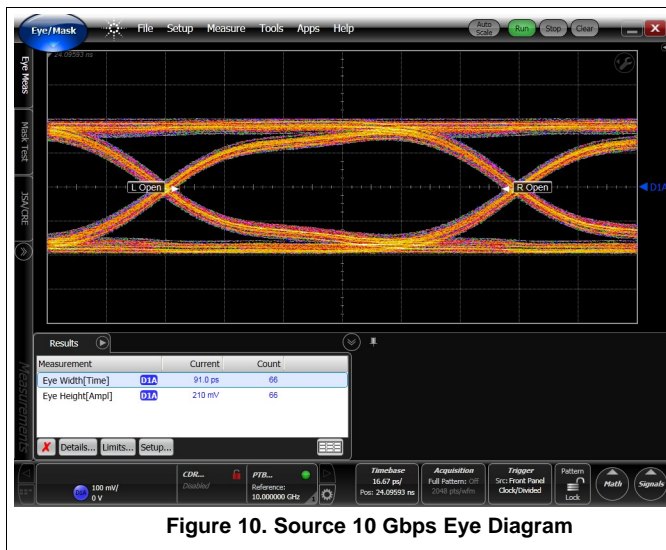


Figure 10. Source 10 Gbps Eye Diagram

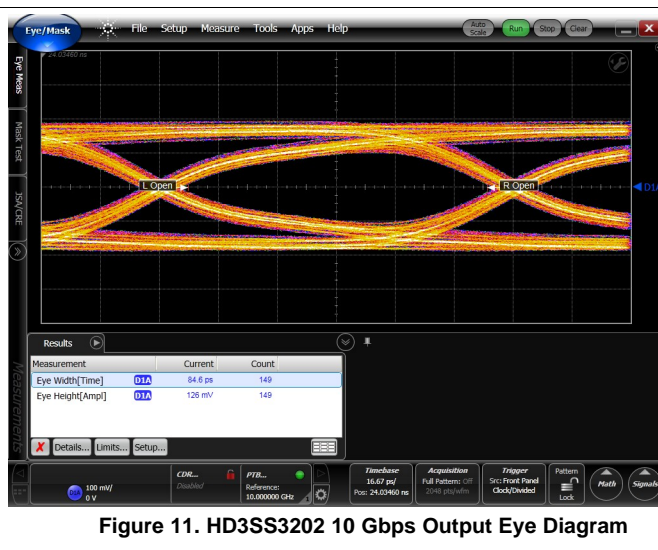


Figure 11. HD3SS3202 10 Gbps Output Eye Diagram

9.3 Systems Examples

9.3.1 Up Facing Port for USB3.1 Type C

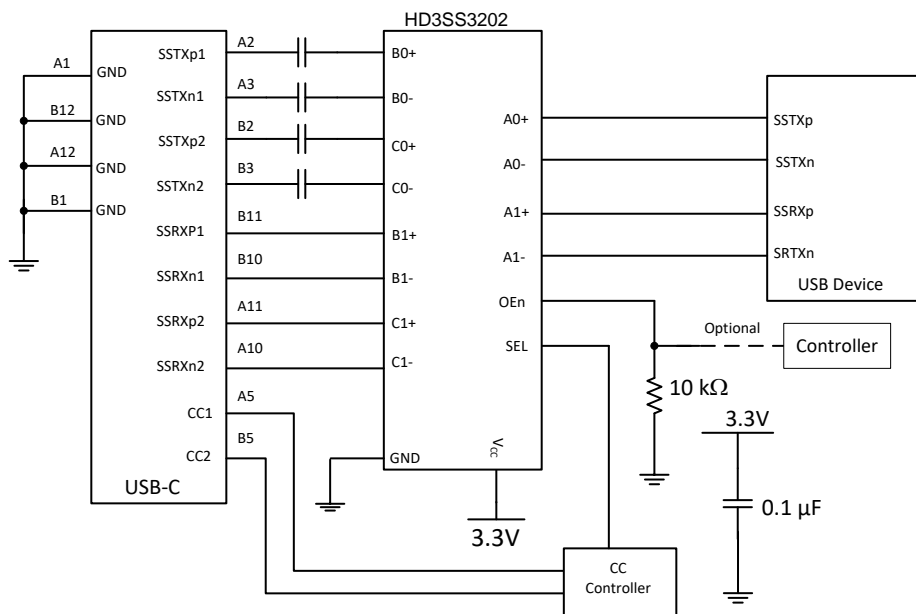


Figure 12. Up Facing Port for USB3.1 USB Type-C Connector

Systems Examples (continued)

9.3.2 PCIE/USB

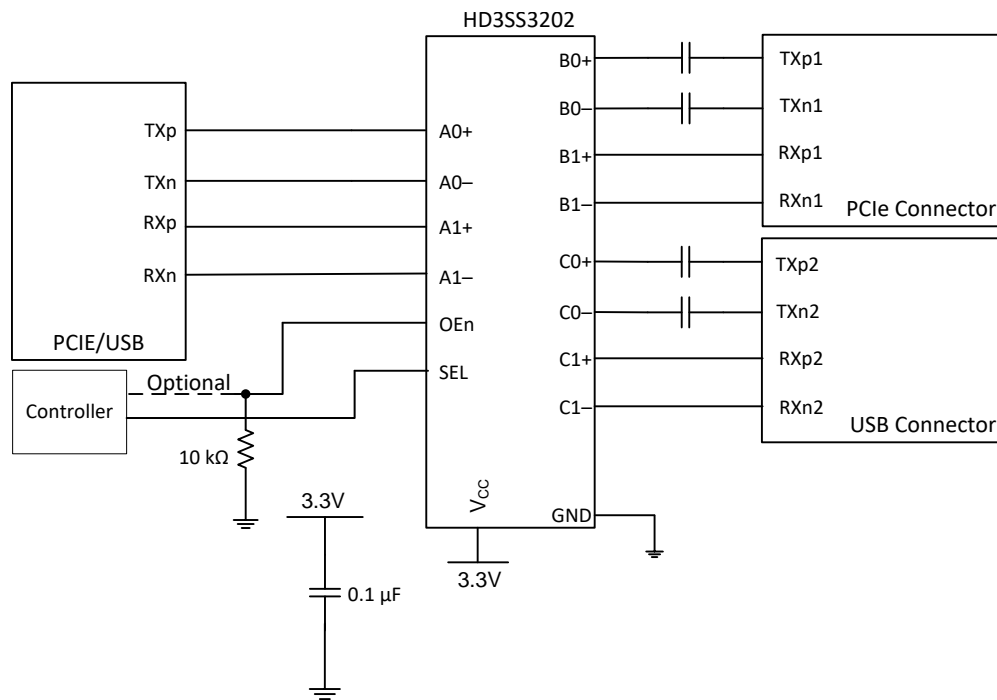


Figure 13. PCIE Motherboard

9.3.3 PCIE/eSATA

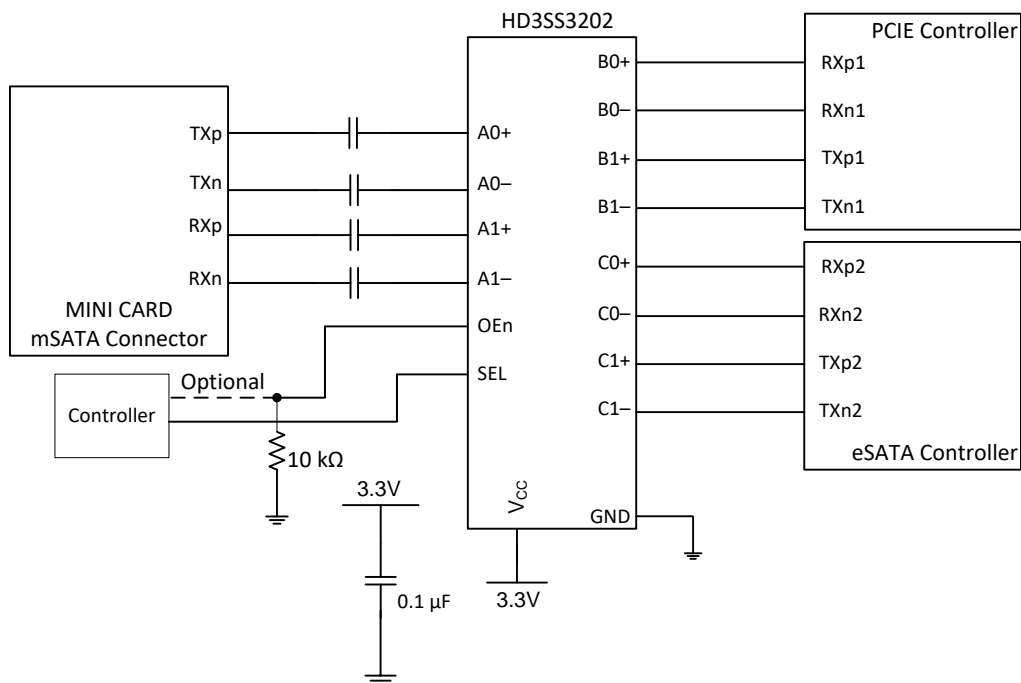


Figure 14. PCIE and eSATA Combo

Systems Examples (continued)

9.3.4 USB/eSATA

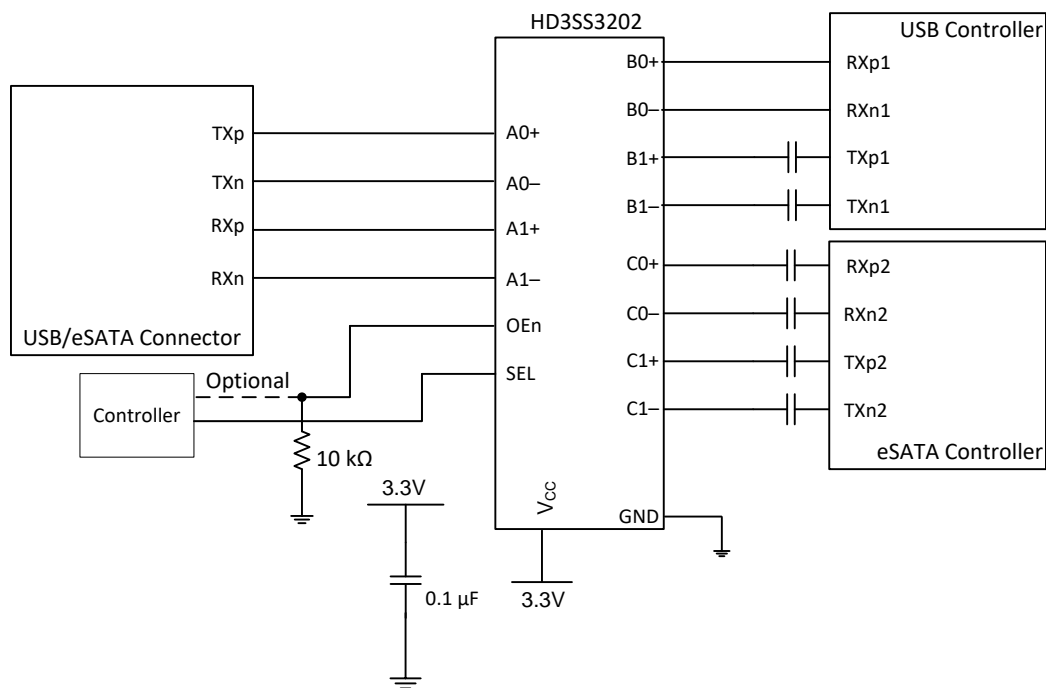


Figure 15. eSATA and USB 3.1 Combo Connector

9.3.5 MIPI Camera Serial Interface

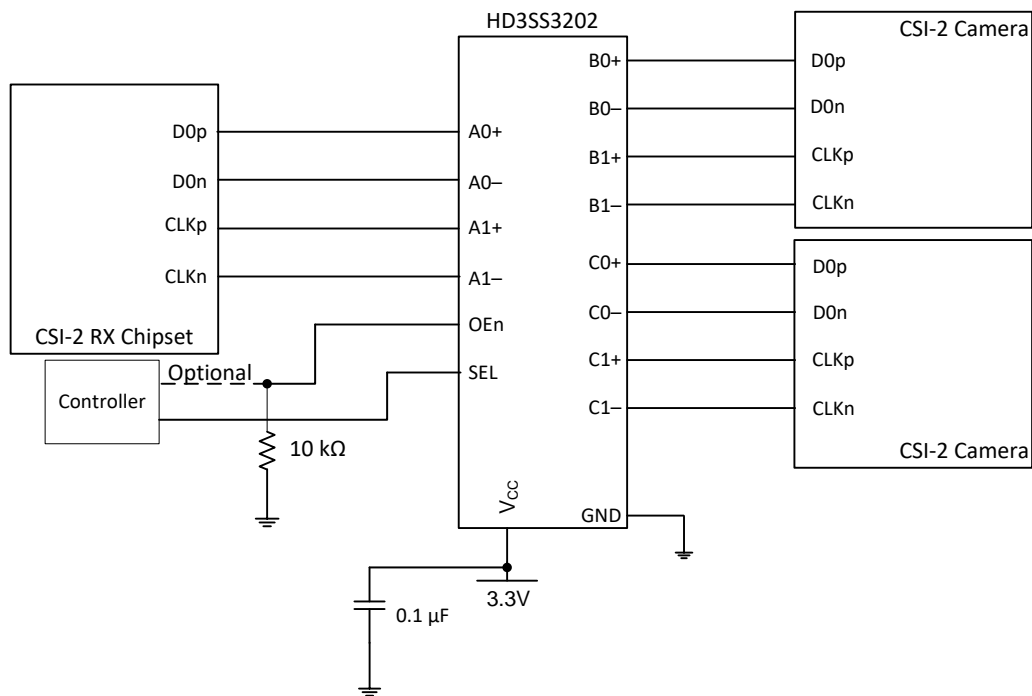


Figure 16. CSI Camera Array

10 Power Supply Recommendations

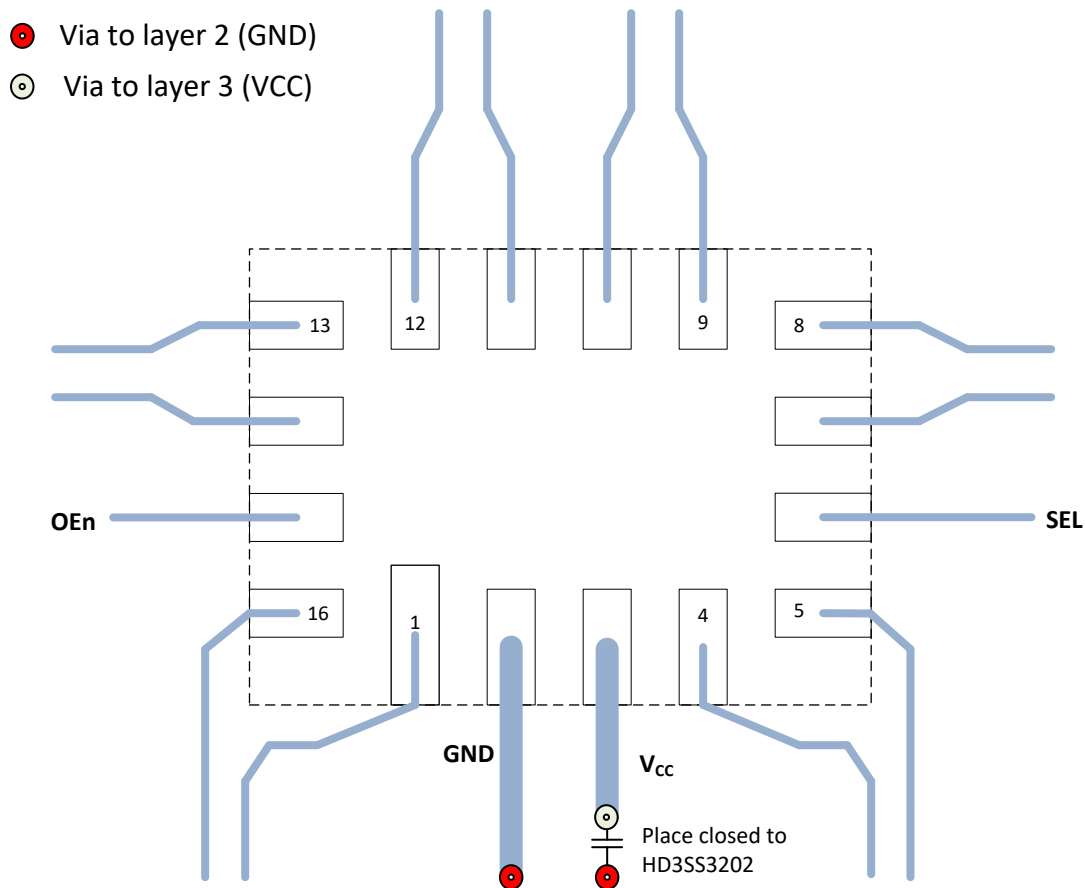
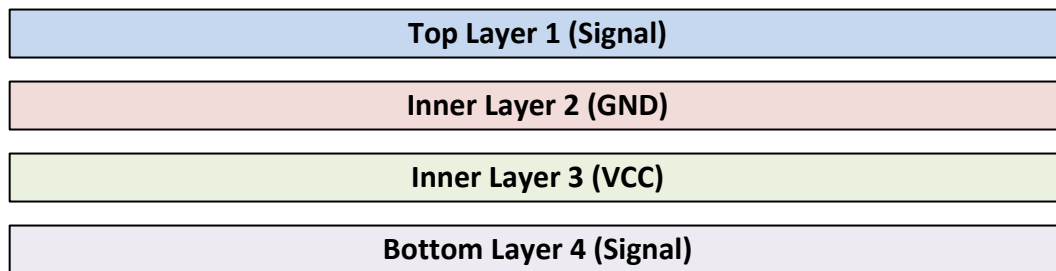
The HD3SS3202 does not require a power supply sequence. TI recommends placing a 100nF de-coupling capacitor at the device V_{CC} near the pin.

11 Layout

11.1 Layout Guidelines

11.2 Layout Example

Example 4 layer PCB Stackup



Copyright © 2018, Texas Instruments Incorporated

Figure 17. HD3SS3202 Basic Layout Example

12 Device and Documentation Support

12.1 Receiving Notification of Documentation Updates

To receive notification of documentation updates, navigate to the device product folder on ti.com. In the upper right corner, click on *Alert me* to register and receive a weekly digest of any product information that has changed. For change details, review the revision history included in any revised document.

12.2 Community Resources

The following links connect to TI community resources. Linked contents are provided "AS IS" by the respective contributors. They do not constitute TI specifications and do not necessarily reflect TI's views; see TI's [Terms of Use](#).

TI E2E™ Online Community *TI's Engineer-to-Engineer (E2E) Community*. Created to foster collaboration among engineers. At e2e.ti.com, you can ask questions, share knowledge, explore ideas and help solve problems with fellow engineers.

Design Support *TI's Design Support* Quickly find helpful E2E forums along with design support tools and contact information for technical support.

12.3 Trademarks

E2E is a trademark of Texas Instruments.

12.4 Electrostatic Discharge Caution



This integrated circuit can be damaged by ESD. Texas Instruments recommends that all integrated circuits be handled with appropriate precautions. Failure to observe proper handling and installation procedures can cause damage.

ESD damage can range from subtle performance degradation to complete device failure. Precision integrated circuits may be more susceptible to damage because very small parametric changes could cause the device not to meet its published specifications.

12.5 Glossary

[SLYZ022](#) — *TI Glossary*.

This glossary lists and explains terms, acronyms, and definitions.

13 Mechanical, Packaging, and Orderable Information

The following pages include mechanical, packaging, and orderable information. This information is the most current data available for the designated devices. This data is subject to change without notice and revision of this document. For browser-based versions of this data sheet, refer to the left-hand navigation.

PACKAGING INFORMATION

Orderable Device	Status (1)	Package Type	Package Drawing	Pins	Package Qty	Eco Plan (2)	Lead/Ball Finish (6)	MSL Peak Temp (3)	Op Temp (°C)	Device Marking (4/5)	Samples
HD3SS3202IRSVR	PREVIEW	UQFN	RSV	16	3000	Green (RoHS & no Sb/Br)	CU NIPDAUAG	Level-1-260C-UNLIM	-40 to 85	3202	
HD3SS3202IRSVT	PREVIEW	UQFN	RSV	16	250	Green (RoHS & no Sb/Br)	CU NIPDAUAG	Level-1-260C-UNLIM	-40 to 85	3202	
HD3SS3202RSVR	ACTIVE	UQFN	RSV	16	3000	Green (RoHS & no Sb/Br)	CU NIPDAUAG	Level-1-260C-UNLIM	0 to 70	3202	Samples
HD3SS3202RSVT	ACTIVE	UQFN	RSV	16	250	Green (RoHS & no Sb/Br)	CU NIPDAUAG	Level-1-260C-UNLIM	0 to 70	3202	Samples

(1) The marketing status values are defined as follows:

ACTIVE: Product device recommended for new designs.

LIFEBUY: TI has announced that the device will be discontinued, and a lifetime-buy period is in effect.

NRND: Not recommended for new designs. Device is in production to support existing customers, but TI does not recommend using this part in a new design.

PREVIEW: Device has been announced but is not in production. Samples may or may not be available.

OBSELETE: TI has discontinued the production of the device.

(2) **RoHS:** TI defines "RoHS" to mean semiconductor products that are compliant with the current EU RoHS requirements for all 10 RoHS substances, including the requirement that RoHS substance do not exceed 0.1% by weight in homogeneous materials. Where designed to be soldered at high temperatures, "RoHS" products are suitable for use in specified lead-free processes. TI may reference these types of products as "Pb-Free".

RoHS Exempt: TI defines "RoHS Exempt" to mean products that contain lead but are compliant with EU RoHS pursuant to a specific EU RoHS exemption.

Green: TI defines "Green" to mean the content of Chlorine (Cl) and Bromine (Br) based flame retardants meet JS709B low halogen requirements of <=1000ppm threshold. Antimony trioxide based flame retardants must also meet the <=1000ppm threshold requirement.

(3) MSL, Peak Temp. - The Moisture Sensitivity Level rating according to the JEDEC industry standard classifications, and peak solder temperature.

(4) There may be additional marking, which relates to the logo, the lot trace code information, or the environmental category on the device.

(5) Multiple Device Markings will be inside parentheses. Only one Device Marking contained in parentheses and separated by a "-" will appear on a device. If a line is indented then it is a continuation of the previous line and the two combined represent the entire Device Marking for that device.

(6) Lead/Ball Finish - Orderable Devices may have multiple material finish options. Finish options are separated by a vertical ruled line. Lead/Ball Finish values may wrap to two lines if the finish value exceeds the maximum column width.

Important Information and Disclaimer:The information provided on this page represents TI's knowledge and belief as of the date that it is provided. TI bases its knowledge and belief on information provided by third parties, and makes no representation or warranty as to the accuracy of such information. Efforts are underway to better integrate information from third parties. TI has taken and

continues to take reasonable steps to provide representative and accurate information but may not have conducted destructive testing or chemical analysis on incoming materials and chemicals. TI and TI suppliers consider certain information to be proprietary, and thus CAS numbers and other limited information may not be available for release.

In no event shall TI's liability arising out of such information exceed the total purchase price of the TI part(s) at issue in this document sold by TI to Customer on an annual basis.

TAPE AND REEL INFORMATION

QUADRANT ASSIGNMENTS FOR PIN 1 ORIENTATION IN TAPE


*All dimensions are nominal

Device	Package Type	Package Drawing	Pins	SPQ	Reel Diameter (mm)	Reel Width W1 (mm)	A0 (mm)	B0 (mm)	K0 (mm)	P1 (mm)	W (mm)	Pin1 Quadrant
HD3SS3202IRSVR	UQFN	RSV	16	3000	178.0	13.5	2.1	2.9	0.75	4.0	12.0	Q1
HD3SS3202IRSVT	UQFN	RSV	16	250	178.0	13.5	2.1	2.9	0.75	4.0	12.0	Q1
HD3SS3202RSVR	UQFN	RSV	16	3000	178.0	13.5	2.1	2.9	0.75	4.0	12.0	Q1
HD3SS3202RSVT	UQFN	RSV	16	250	178.0	13.5	2.1	2.9	0.75	4.0	12.0	Q1

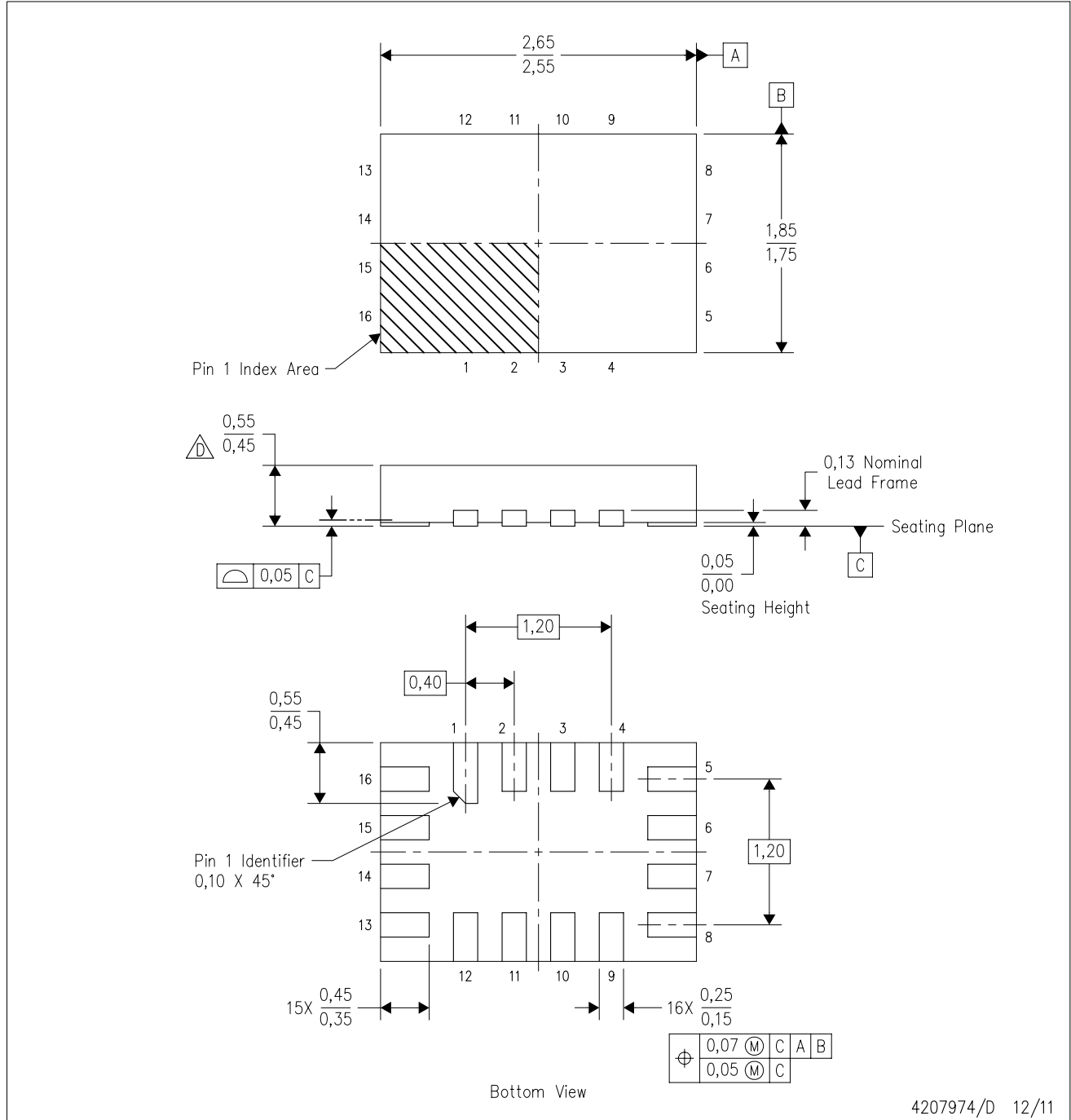
TAPE AND REEL BOX DIMENSIONS


*All dimensions are nominal

Device	Package Type	Package Drawing	Pins	SPQ	Length (mm)	Width (mm)	Height (mm)
HD3SS3202IRSVR	UQFN	RSV	16	3000	189.0	185.0	36.0
HD3SS3202IRSVT	UQFN	RSV	16	250	189.0	185.0	36.0
HD3SS3202RSVR	UQFN	RSV	16	3000	189.0	185.0	36.0
HD3SS3202RSVT	UQFN	RSV	16	250	189.0	185.0	36.0

RSV (R-PUQFN-N16)

PLASTIC QUAD FLATPACK NO-LEAD



4207974/D 12/11

- NOTES:
- A. All linear dimensions are in millimeters. Dimensioning and tolerancing per ASME Y14.5M-1994.
 - B. This drawing is subject to change without notice.
 - C. QFN (Quad Flatpack No-Lead) package configuration.
 - This package complies to JEDEC MO-288 variation UFHE, except minimum package thickness.

IMPORTANT NOTICE

Texas Instruments Incorporated (TI) reserves the right to make corrections, enhancements, improvements and other changes to its semiconductor products and services per JESD46, latest issue, and to discontinue any product or service per JESD48, latest issue. Buyers should obtain the latest relevant information before placing orders and should verify that such information is current and complete.

TI's published terms of sale for semiconductor products (<http://www.ti.com/sc/docs/stdterms.htm>) apply to the sale of packaged integrated circuit products that TI has qualified and released to market. Additional terms may apply to the use or sale of other types of TI products and services.

Reproduction of significant portions of TI information in TI data sheets is permissible only if reproduction is without alteration and is accompanied by all associated warranties, conditions, limitations, and notices. TI is not responsible or liable for such reproduced documentation. Information of third parties may be subject to additional restrictions. Resale of TI products or services with statements different from or beyond the parameters stated by TI for that product or service voids all express and any implied warranties for the associated TI product or service and is an unfair and deceptive business practice. TI is not responsible or liable for any such statements.

Buyers and others who are developing systems that incorporate TI products (collectively, "Designers") understand and agree that Designers remain responsible for using their independent analysis, evaluation and judgment in designing their applications and that Designers have full and exclusive responsibility to assure the safety of Designers' applications and compliance of their applications (and of all TI products used in or for Designers' applications) with all applicable regulations, laws and other applicable requirements. Designer represents that, with respect to their applications, Designer has all the necessary expertise to create and implement safeguards that (1) anticipate dangerous consequences of failures, (2) monitor failures and their consequences, and (3) lessen the likelihood of failures that might cause harm and take appropriate actions. Designer agrees that prior to using or distributing any applications that include TI products, Designer will thoroughly test such applications and the functionality of such TI products as used in such applications.

TI's provision of technical, application or other design advice, quality characterization, reliability data or other services or information, including, but not limited to, reference designs and materials relating to evaluation modules, (collectively, "TI Resources") are intended to assist designers who are developing applications that incorporate TI products; by downloading, accessing or using TI Resources in any way, Designer (individually or, if Designer is acting on behalf of a company, Designer's company) agrees to use any particular TI Resource solely for this purpose and subject to the terms of this Notice.

TI's provision of TI Resources does not expand or otherwise alter TI's applicable published warranties or warranty disclaimers for TI products, and no additional obligations or liabilities arise from TI providing such TI Resources. TI reserves the right to make corrections, enhancements, improvements and other changes to its TI Resources. TI has not conducted any testing other than that specifically described in the published documentation for a particular TI Resource.

Designer is authorized to use, copy and modify any individual TI Resource only in connection with the development of applications that include the TI product(s) identified in such TI Resource. NO OTHER LICENSE, EXPRESS OR IMPLIED, BY ESTOPPEL OR OTHERWISE TO ANY OTHER TI INTELLECTUAL PROPERTY RIGHT, AND NO LICENSE TO ANY TECHNOLOGY OR INTELLECTUAL PROPERTY RIGHT OF TI OR ANY THIRD PARTY IS GRANTED HEREIN, including but not limited to any patent right, copyright, mask work right, or other intellectual property right relating to any combination, machine, or process in which TI products or services are used. Information regarding or referencing third-party products or services does not constitute a license to use such products or services, or a warranty or endorsement thereof. Use of TI Resources may require a license from a third party under the patents or other intellectual property of the third party, or a license from TI under the patents or other intellectual property of TI.

TI RESOURCES ARE PROVIDED "AS IS" AND WITH ALL FAULTS. TI DISCLAIMS ALL OTHER WARRANTIES OR REPRESENTATIONS, EXPRESS OR IMPLIED, REGARDING RESOURCES OR USE THEREOF, INCLUDING BUT NOT LIMITED TO ACCURACY OR COMPLETENESS, TITLE, ANY EPIDEMIC FAILURE WARRANTY AND ANY IMPLIED WARRANTIES OF MERCHANTABILITY, FITNESS FOR A PARTICULAR PURPOSE, AND NON-INFRINGEMENT OF ANY THIRD PARTY INTELLECTUAL PROPERTY RIGHTS. TI SHALL NOT BE LIABLE FOR AND SHALL NOT DEFEND OR INDEMNIFY DESIGNER AGAINST ANY CLAIM, INCLUDING BUT NOT LIMITED TO ANY INFRINGEMENT CLAIM THAT RELATES TO OR IS BASED ON ANY COMBINATION OF PRODUCTS EVEN IF DESCRIBED IN TI RESOURCES OR OTHERWISE. IN NO EVENT SHALL TI BE LIABLE FOR ANY ACTUAL, DIRECT, SPECIAL, COLLATERAL, INDIRECT, PUNITIVE, INCIDENTAL, CONSEQUENTIAL OR EXEMPLARY DAMAGES IN CONNECTION WITH OR ARISING OUT OF TI RESOURCES OR USE THEREOF, AND REGARDLESS OF WHETHER TI HAS BEEN ADVISED OF THE POSSIBILITY OF SUCH DAMAGES.

Unless TI has explicitly designated an individual product as meeting the requirements of a particular industry standard (e.g., ISO/TS 16949 and ISO 26262), TI is not responsible for any failure to meet such industry standard requirements.

Where TI specifically promotes products as facilitating functional safety or as compliant with industry functional safety standards, such products are intended to help enable customers to design and create their own applications that meet applicable functional safety standards and requirements. Using products in an application does not by itself establish any safety features in the application. Designers must ensure compliance with safety-related requirements and standards applicable to their applications. Designer may not use any TI products in life-critical medical equipment unless authorized officers of the parties have executed a special contract specifically governing such use. Life-critical medical equipment is medical equipment where failure of such equipment would cause serious bodily injury or death (e.g., life support, pacemakers, defibrillators, heart pumps, neurostimulators, and implantables). Such equipment includes, without limitation, all medical devices identified by the U.S. Food and Drug Administration as Class III devices and equivalent classifications outside the U.S.

TI may expressly designate certain products as completing a particular qualification (e.g., Q100, Military Grade, or Enhanced Product). Designers agree that it has the necessary expertise to select the product with the appropriate qualification designation for their applications and that proper product selection is at Designers' own risk. Designers are solely responsible for compliance with all legal and regulatory requirements in connection with such selection.

Designer will fully indemnify TI and its representatives against any damages, costs, losses, and/or liabilities arising out of Designer's non-compliance with the terms and provisions of this Notice.