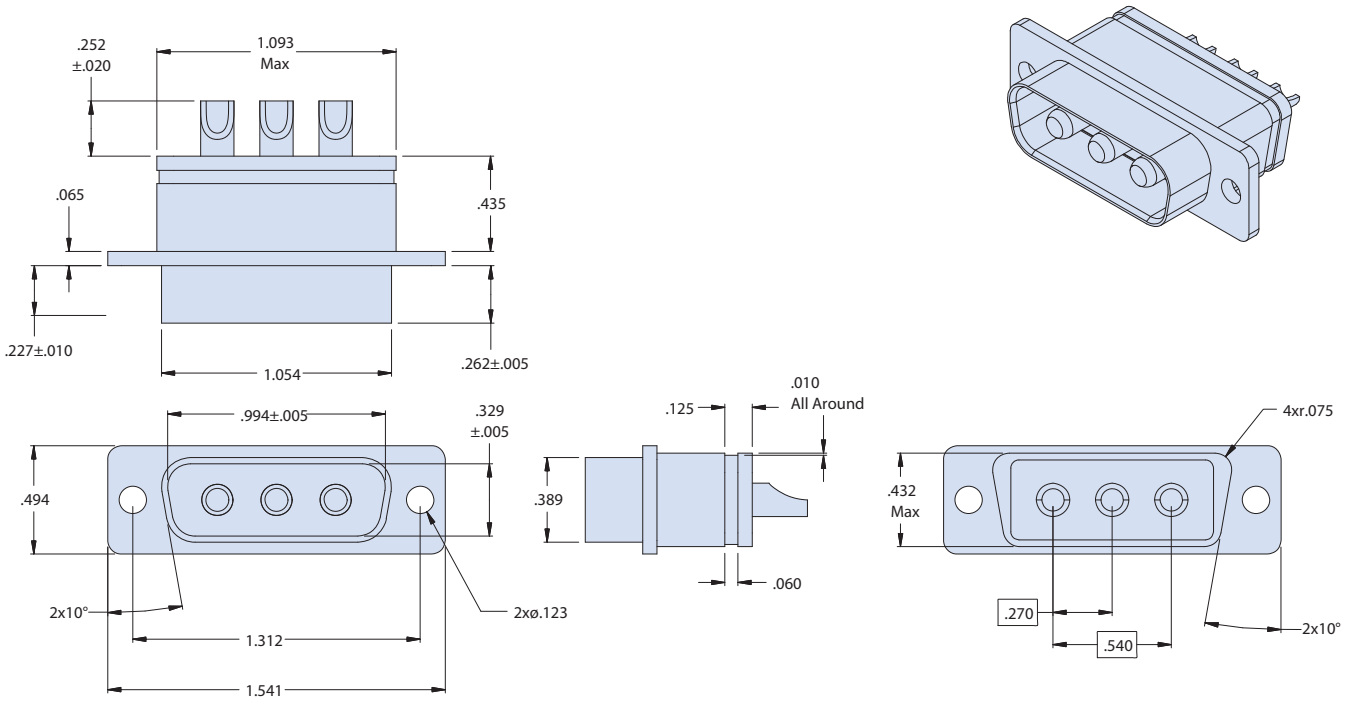


2470-1112 Combo-D Filtered Plug Connector

E



Notes

1. Assembly to be identified with Glenair's name, part number, and date code space permitting
2. Electrical Performance: C filter
 Capacitance: 80 – 120 nF
 Dielectric Withstanding Voltage: 500 VDC
 Insulation Resistance: 5,000 Megohms @ 200 VDC

Materials/Finishes:

Shell - Aluminum/Yellow Chromate over Cadmium (JF)
 Insulators - High Grade Rigid Dielectric / NA
 Contacts - Copper Alloy / Gold Plated
 Hardware - Stainless Steel/Passivated
 Interfacial Seal - Fluorosilicone Blend / NA

Dimensions in inches (millimeters) and are subject to change without notice.