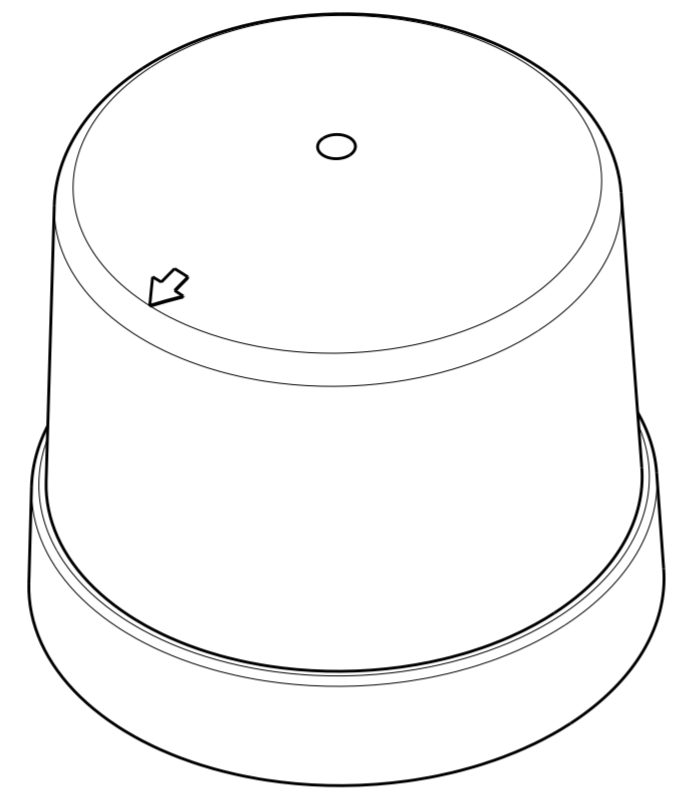
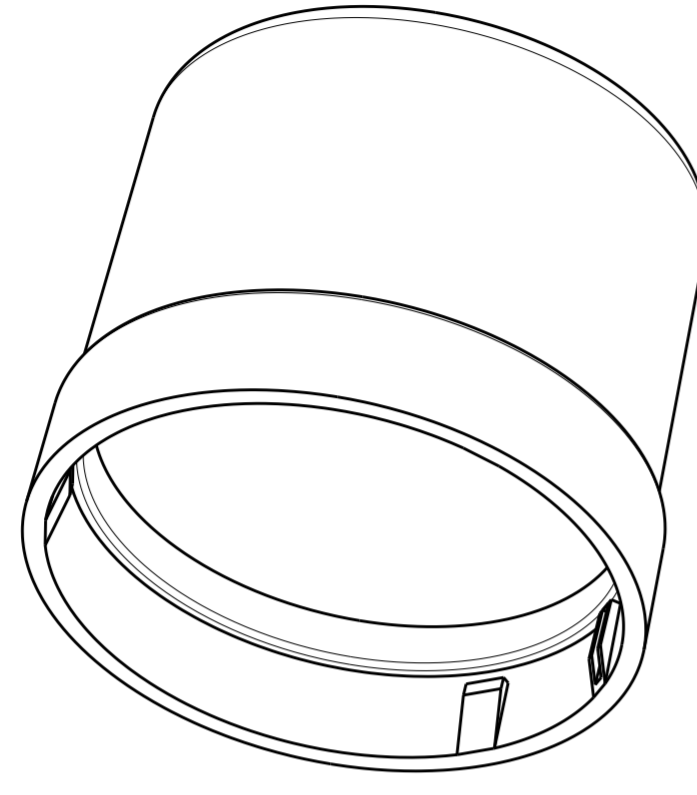
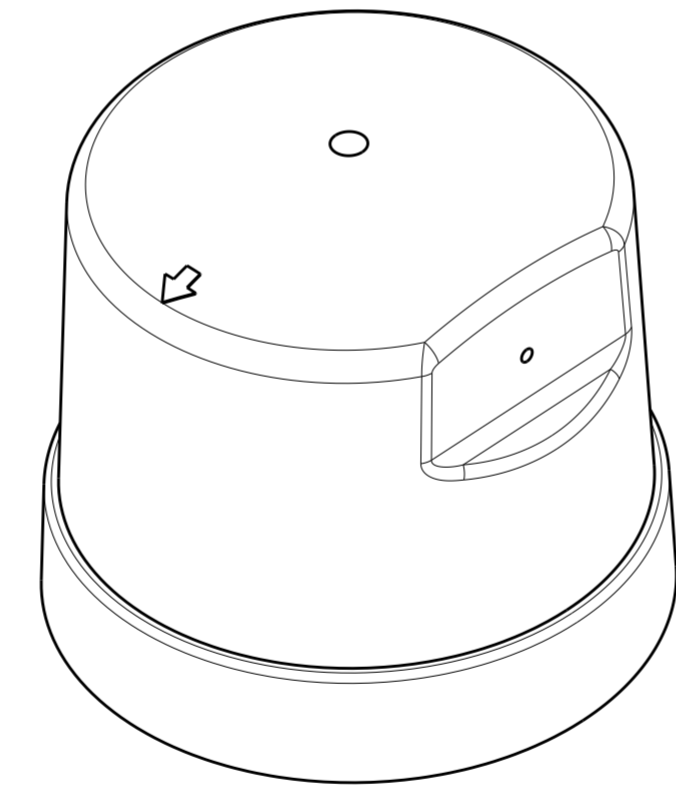
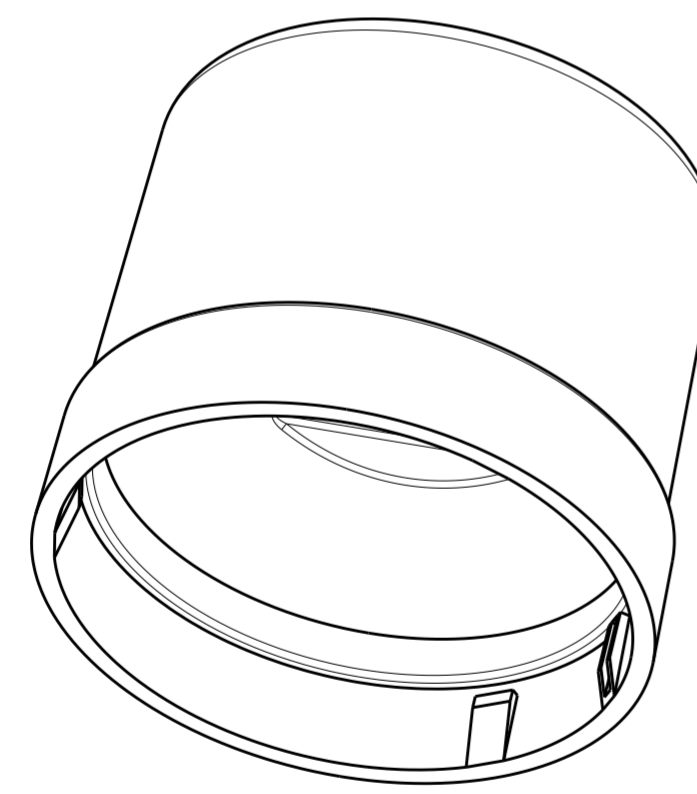


THIS DRAWING IS UNPUBLISHED. RELEASED FOR PUBLICATION 20  
 © COPYRIGHT 20 BY - ALL RIGHTS RESERVED.

REVISIONS				
P	LTR	DESCRIPTION	DATE	APVD
	A	REVISED PER ECO-18-002788	07MAR2018	SM DD



2311664-1 AND 1-2311664-1



2-2311664-1 AND 3-2311664-1

NOTES:

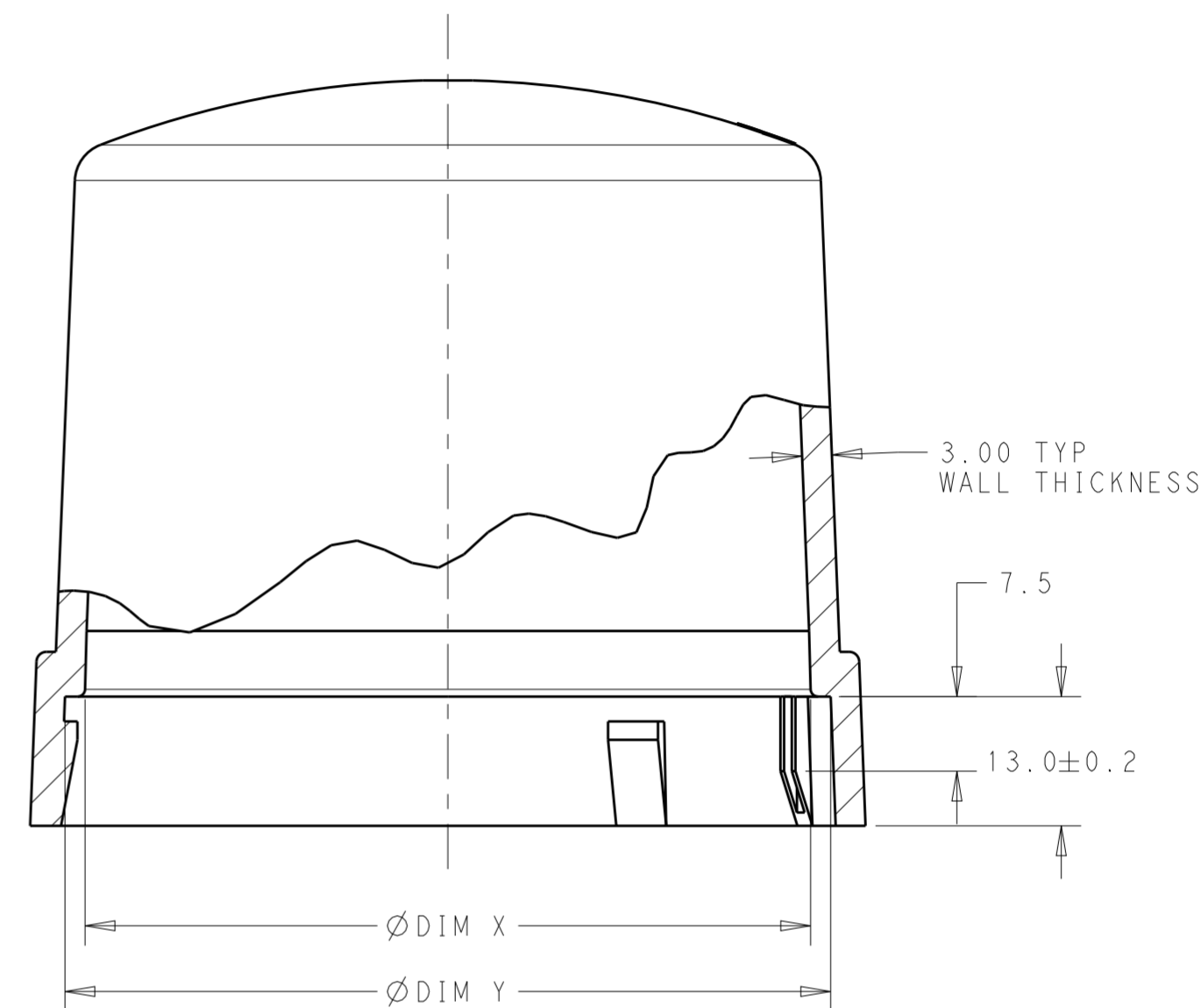
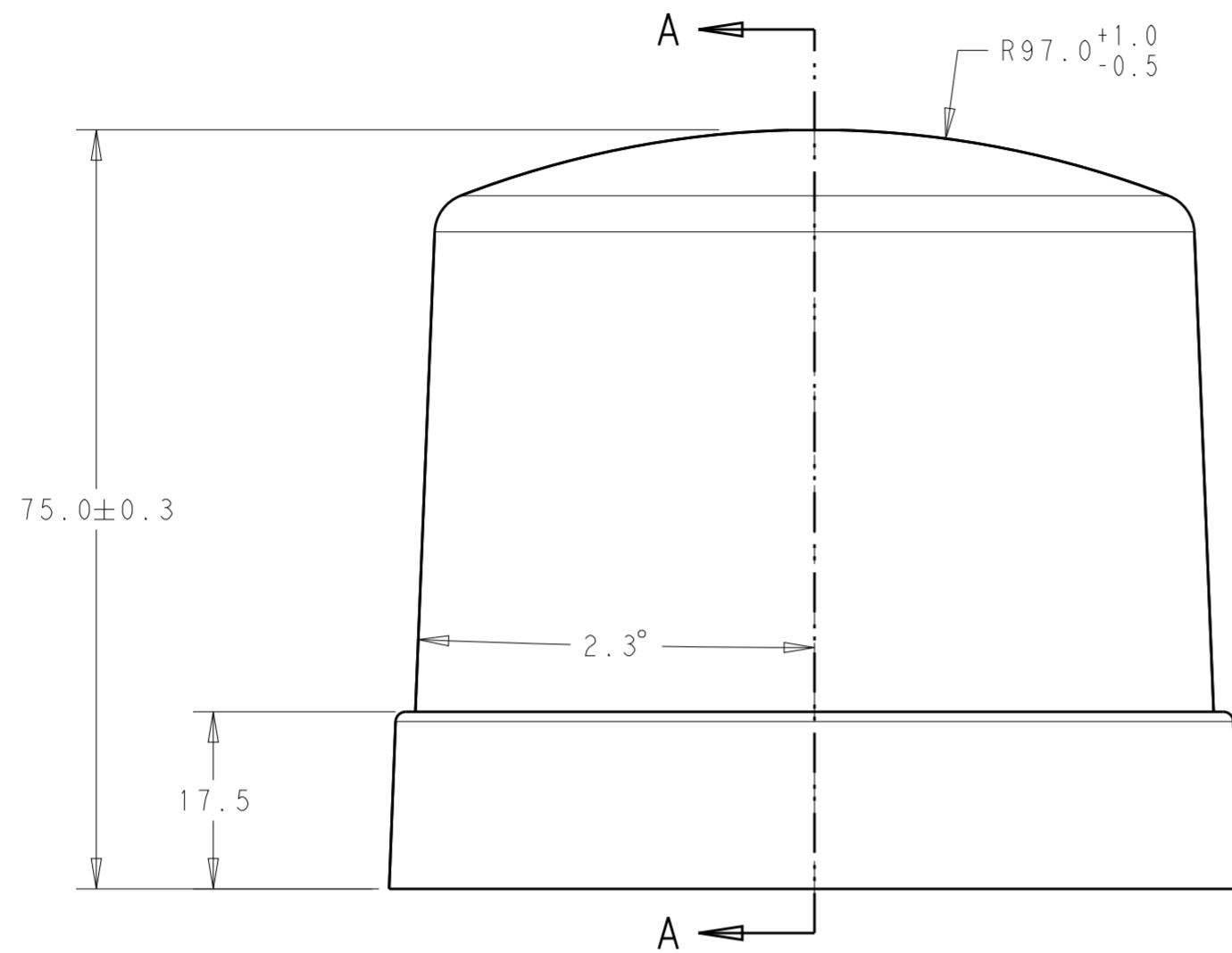
- ⚠ MATERIALS:  
 HOUSING: POLYCARBONATE, UV 5VA RATED  
 COLOR: SEE TABLE
- ⚠ MATING BASE TE P/N: 2213730-X

APPROX LIGHT TRANSMISSION	COLOR	DIM Y	DIM X	PART NO.
78%	TRANSPARENT CLEAR	Ø 77.0	Ø 73.0	3-2311664-1
24%	TRANSLUCENT SMOKE	Ø 77.0	Ø 73.0	2-2311664-1
78%	TRANSPARENT CLEAR	Ø 77.0	Ø 73.0	1-2311664-1
24%	TRANSLUCENT SMOKE	Ø 77.0	Ø 73.0	2311664-1

THIS DRAWING IS A CONTROLLED DOCUMENT.		DWN C. DAILY 31OCT2016	TE Connectivity	
		CHK E. HOWARD 31OCT2016		
DIMENSIONS: mm		APVD -	NAME COVER, LIGHT CONTROLLER 76mm DIA, 75mm TALL	
TOLERANCES UNLESS OTHERWISE SPECIFIED: 0 PLC ± 1 PLC ±0.3 2 PLC ±0.25 3 PLC ± 4 PLC ± ANGLES ±3° FINISH		PRODUCT SPEC -	RESTRICTED TO -	
MATERIAL -		APPLICATION SPEC -	SIZE A2	CAGE CODE -
		WEIGHT -	DRAWING NO C-2311664	
		CUSTOMER DRAWING	SCALE 3:2	SHEET 1 OF 3
			REV A	

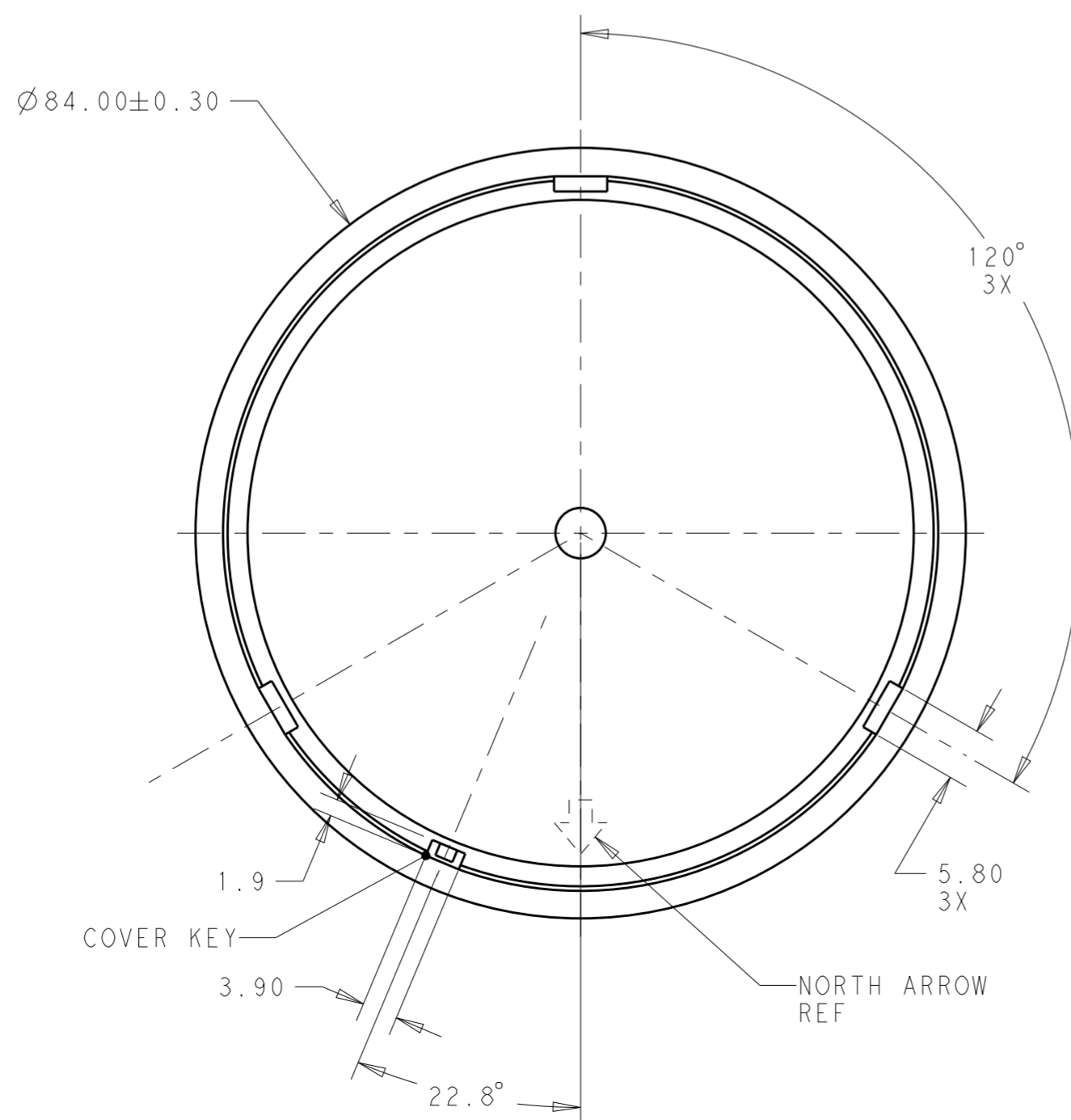
THIS DRAWING IS UNPUBLISHED. RELEASED FOR PUBLICATION 20  
 © COPYRIGHT 20 BY - ALL RIGHTS RESERVED.

REVISIONS				
P	LTR	DESCRIPTION	DATE	APVD
-	-	SEE SHEET 1	-	-



SECTION A-A

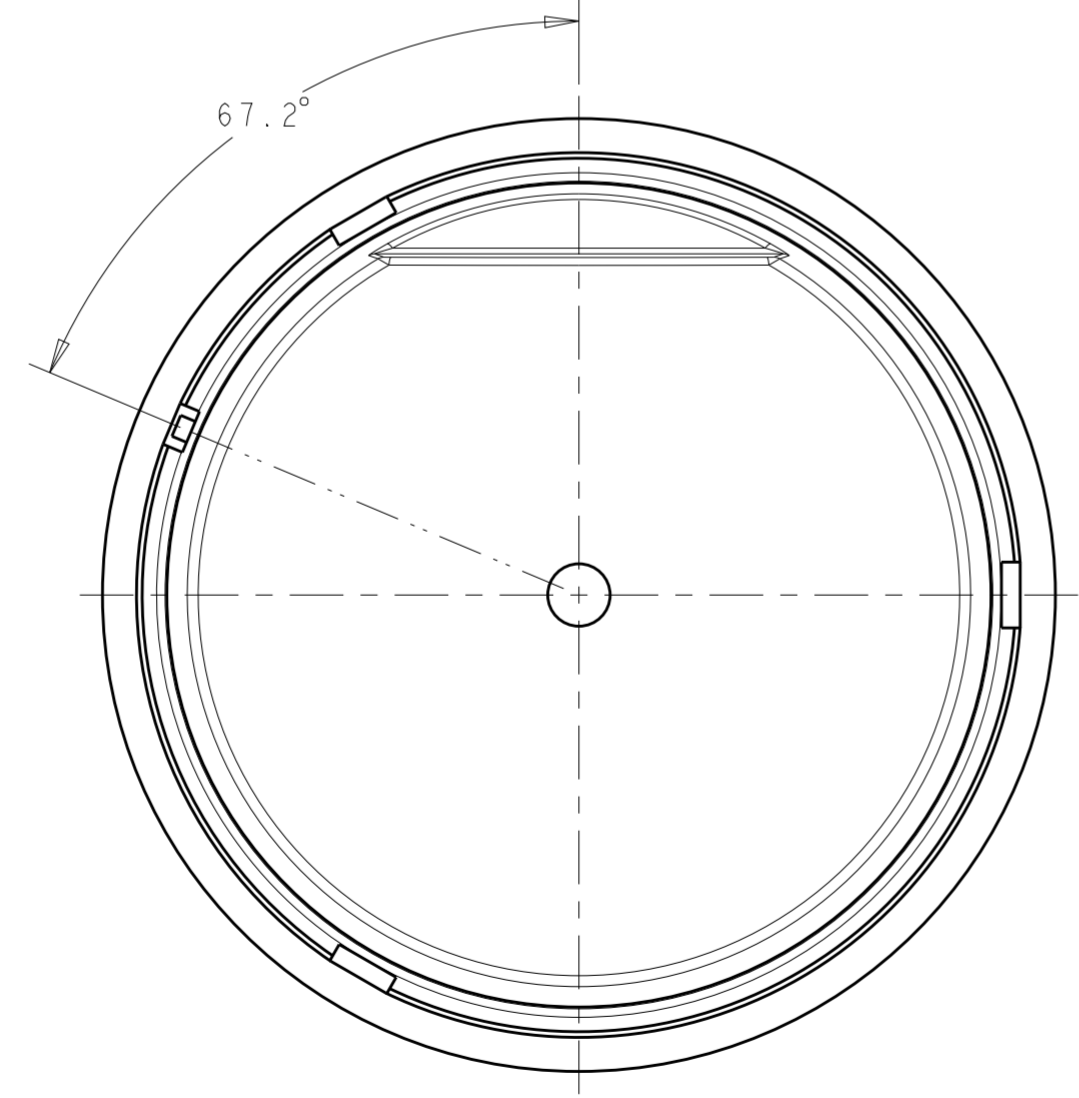
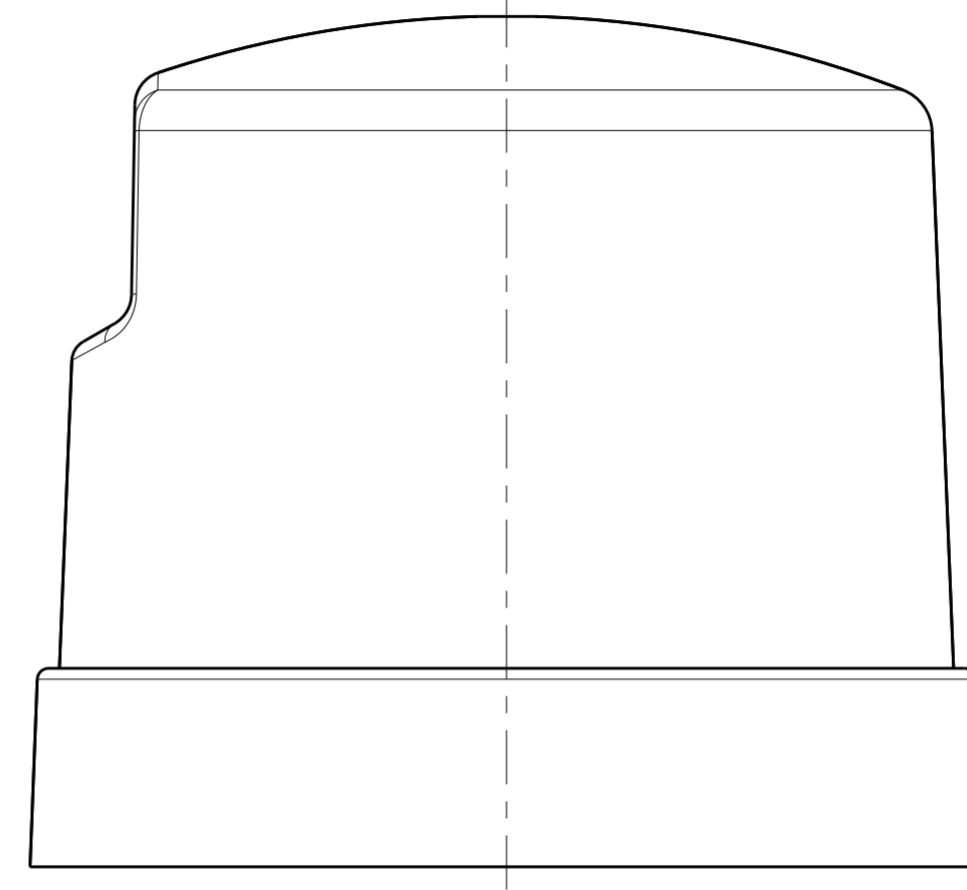
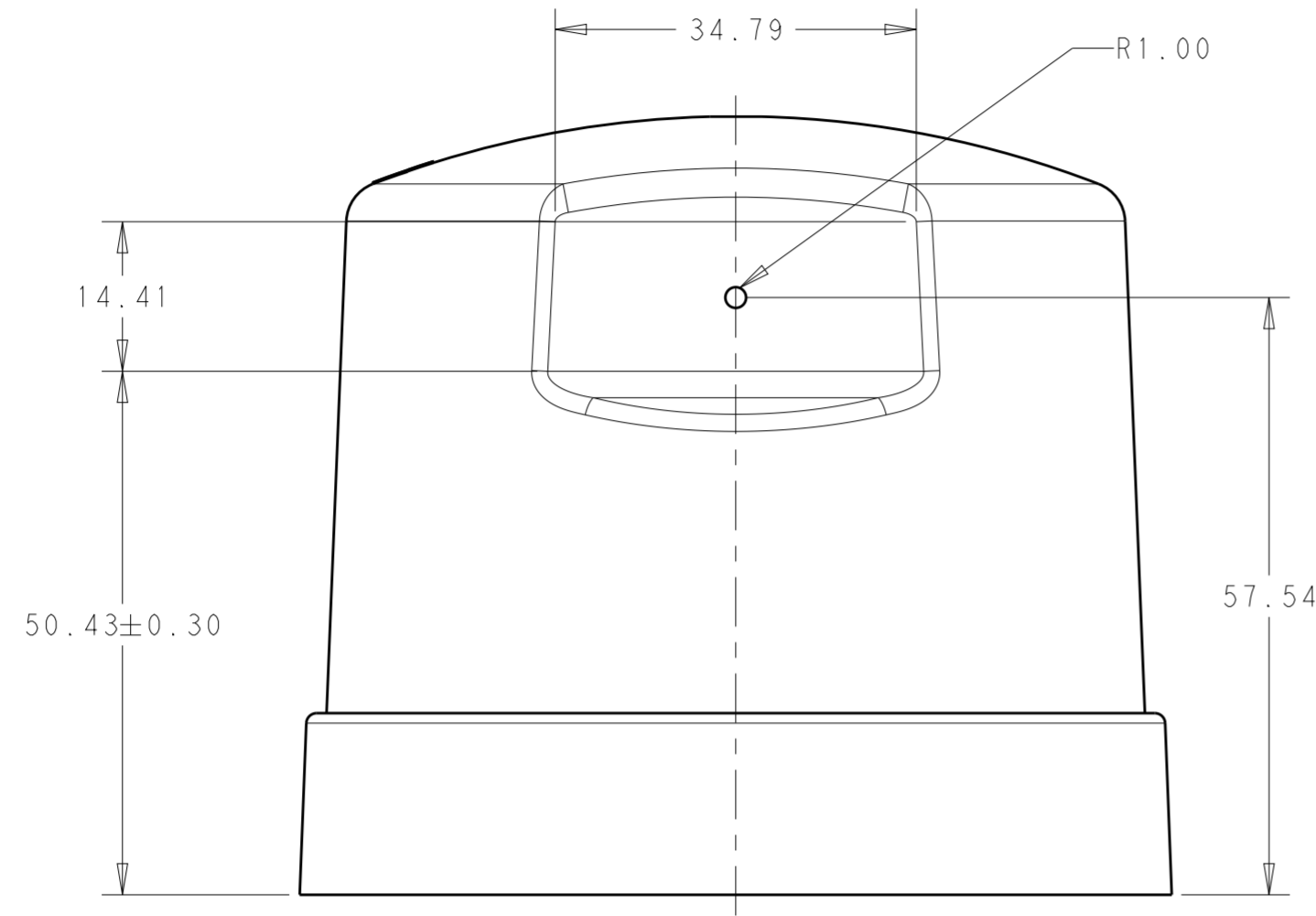
2311664-1 AND 1-2311664-1 SHOWN



THIS DRAWING IS A CONTROLLED DOCUMENT.		DWN C. DAILY 31OCT2016	<b>STE</b> TE Connectivity	
		CHK E. HOWARD 31OCT2016		
DIMENSIONS:		APVD -	NAME COVER, LIGHT CONTROLLER 76mm DIA, 75mm TALL	
TOLERANCES UNLESS OTHERWISE SPECIFIED:		PRODUCT SPEC -	SIZE A2	
0 PLC ±		APPLICATION SPEC -	CAGE CODE -	DRAWING NO C-2311664
1 PLC ±0.3		WEIGHT -	RESTRICTED TO -	REV A
2 PLC ±0.25		SCALE 3:2 SHEET 2 OF 3		
3 PLC ±		CUSTOMER DRAWING		
4 PLC ±				
ANGLES ±3°				
FINISH -				

THIS DRAWING IS UNPUBLISHED. RELEASED FOR PUBLICATION 20  
 © COPYRIGHT 20 BY - ALL RIGHTS RESERVED.

REVISIONS				
P	LTR	DESCRIPTION	DATE	APVD
-	-	SEE SHEET 1	-	-



2-2311664-1 AND 3-2311664-1  
 SAME AS 2311664-1  
 EXCEPT AS SHOWN

THIS DRAWING IS A CONTROLLED DOCUMENT.		DWN C. DAILY 31OCT2016	<b>STE</b> TE Connectivity	
		CHK E. HOWARD 31OCT2016		
DIMENSIONS:		APVD -	NAME COVER, LIGHT CONTROLLER 76mm DIA, 75mm TALL	
mm	TOLERANCES UNLESS OTHERWISE SPECIFIED:	PRODUCT SPEC -	SIZE A2	
	0 PLC ±	APPLICATION SPEC -	CAGE CODE -	DRAWING NO C-2311664
	1 PLC ±0.3	WEIGHT -	RESTRICTED TO -	SCALE 3:2
	2 PLC ±0.25	CUSTOMER DRAWING	SHEET 3 OF 3	REV A
	3 PLC ±			
	4 PLC ±			
	ANGLES ±3°			
	FINISH			

# Mouser Electronics

Authorized Distributor

Click to View Pricing, Inventory, Delivery & Lifecycle Information:

[TE Connectivity:](#)

[1-2311664-1](#) [2-2311664-1](#) [2311664-1](#)