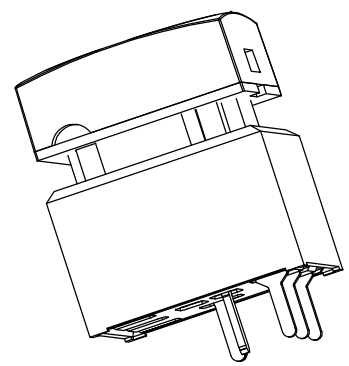
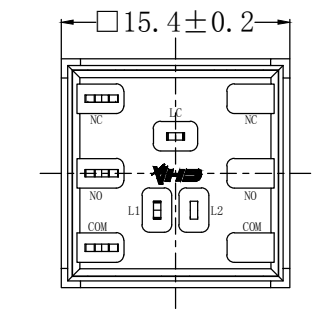
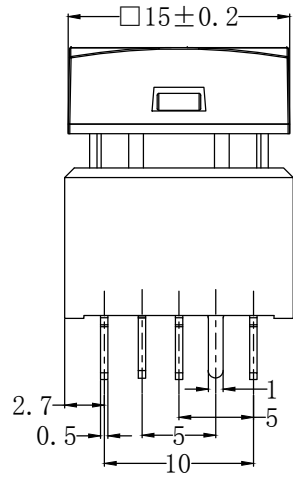
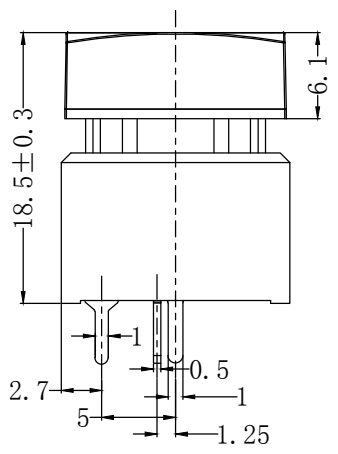
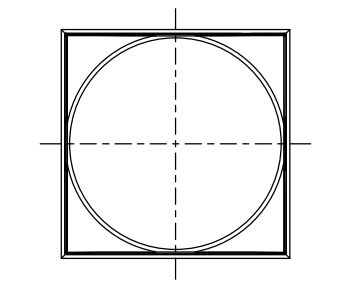
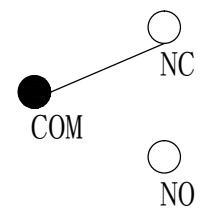


修 改	记号	内 容	修改者	日期



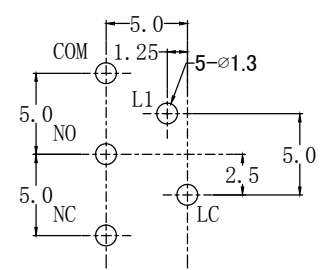
SWSCHEMATIC



LEDSCHEMATIC



P. C. B. LAYOUT



Color	VR	IF	Recommended Operating Current	VF	
				Min	Max
Red	DC 5V	20mA	20mA	1.9V	2.0V
Green	DC 5V	20mA	20mA	3.0V	3.2V
Yellow	DC 5V	20mA	20mA	1.9V	2.2V
Blue	DC 5V	20mA	20mA	2.9V	3.1V
White	DC 5V	20mA	20mA	3.0V	3.2V
Orange	DC 5V	20mA	20mA	1.9V	2.1V

For the specification about the other LEDs, please contact with sales department

1. NONL-LOCKTYPE.
2. RATING:0.5A, 100VAC;0.2A, 250VAC;0.5A, 25VDC.
3. CONTACTRESISTANCE:SILVERCONTACT:50M ΩMAX.
4. INSULATIONRESISTANCE:500VDC, 100M ΩMIN .
5. OPERATING TEMPERATURE:-40° C~85° C.
6. OPERATING FORCE:200±100gf.
7. OPERATINGLIFE:200,000CYCLES.
8. ITISRECOMMENDEDTHATTHENUMBEROFTIMESTOPULL OUTTHECAPSHOULDNOTEXCEED3

本公司智慧财产，未经同意不得复制
Without permission, copying is strictly prohibited. Chau-hua

ALLDIMENSIONS AREIN MILLIMETERS, GENERAL TOLERANCESMAX. ± 0.20mm.

制图	HH	比例		日期	2020.09.25
设计	HH	单位	MM	材质	
校对	LZY	全周倒角		数量	
审核	MW	视图		处理	



昭华集团(香港)有限公司
CHAU-HUA GROUP (HONGKONG) CO., LIMITED

图号	C3026A-3M-W-N0-T-15
图名	C3026SERIES