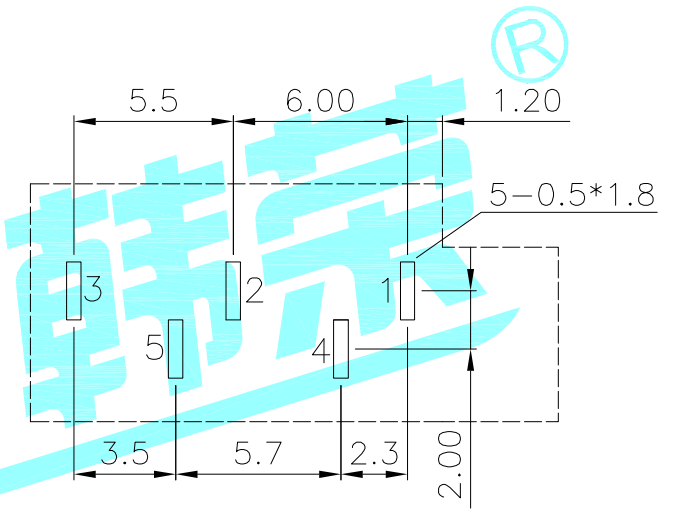
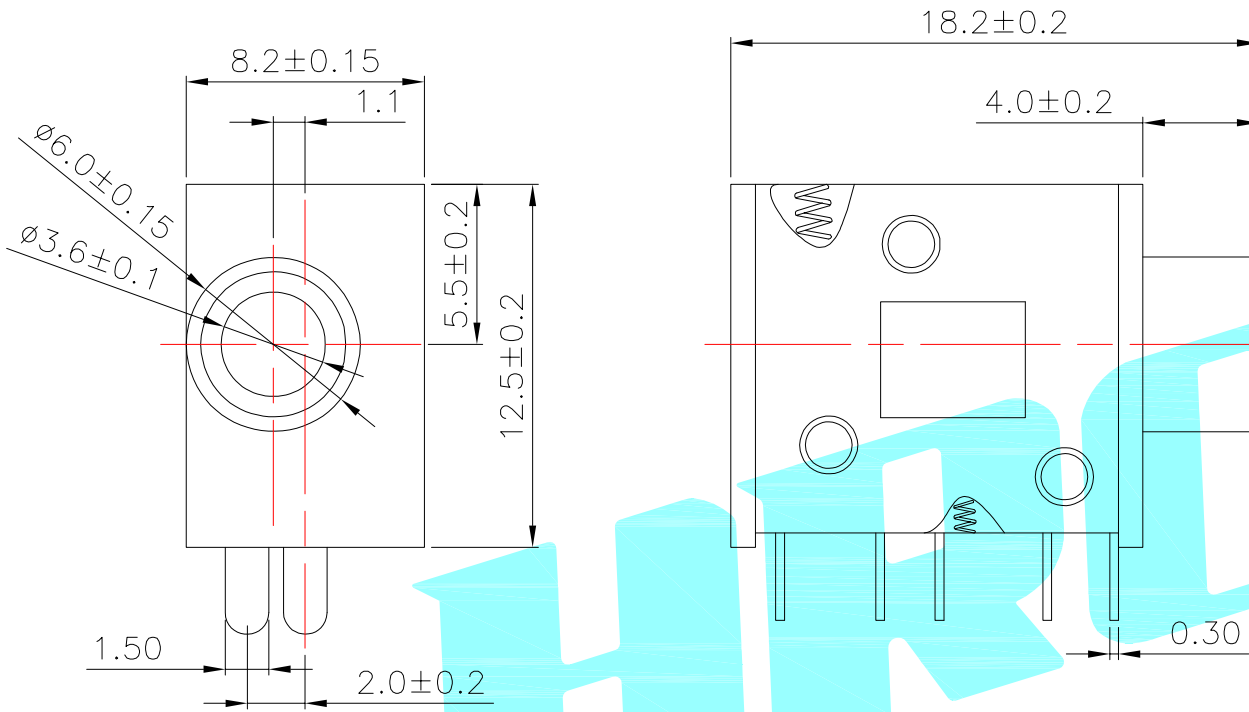
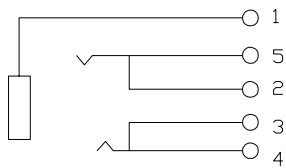


ROHS



P.C.B LAYOUT(copper-sided view)



Schematic

Rating:0.3A 30V DC
 Contact Resistance:100 mΩ Max.
 Operating temperature:-20℃~70℃
 Operating force:5-25N
 Operating Life:5,000cycles

⑤	Terminal	—	5	Brass	Ag Plating	—
④	Copper sleeve	—	1	Copper alloy	Tin Plating	—
③	Spring	—	2	SUS	—	—
②	Cover	—	1	PBT	Black	—
①	Base	—	1	PBT	Black	—
ITEM	PART NAME	TER'NO.	QTY.	MATERIAL	FINISHING	REMARK

APPROVALS		DATE		 ELECTRONICS CO.,LTD										
DRAWN	LIUCAN	2021.10.22					TITLE:	PHONE JACKES						
CHECKED				PART NO.	PJ-3250D-5A									
APPROVALS				TOLERANCES ARE <table border="1" style="display: inline-table; vertical-align: middle;"> <tr> <td>30~以上</td> <td>±0.30</td> </tr> <tr> <td>10~30</td> <td>±0.20</td> </tr> <tr> <td>5~10</td> <td>±0.15</td> </tr> <tr> <td>~ 5</td> <td>±0.10</td> </tr> </table> ANGLE UNIT: mm SCALE: 1:1 PROJ:			30~以上	±0.30	10~30	±0.20	5~10	±0.15	~ 5	±0.10
30~以上	±0.30													
10~30	±0.20													
5~10	±0.15													
~ 5	±0.10													
ECN NO.	REV.	DATE.	DESCRIPTION.	CHANGE.	CHECK.	APPRO.	DRAWING NO.	SHEET 1 OF 1						

_____	A	_____	NEW	_____	_____	_____
ECN NO.	REV.	DATE.	DESCRIPTION.	CHANGE.	CHECK.	APPRO.