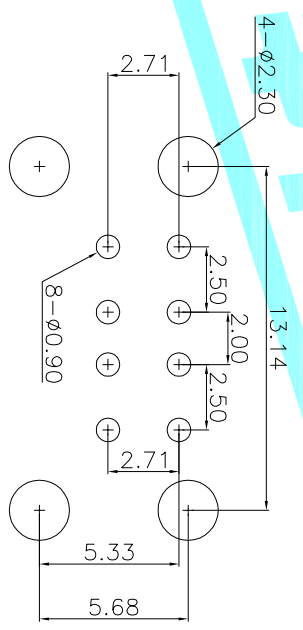
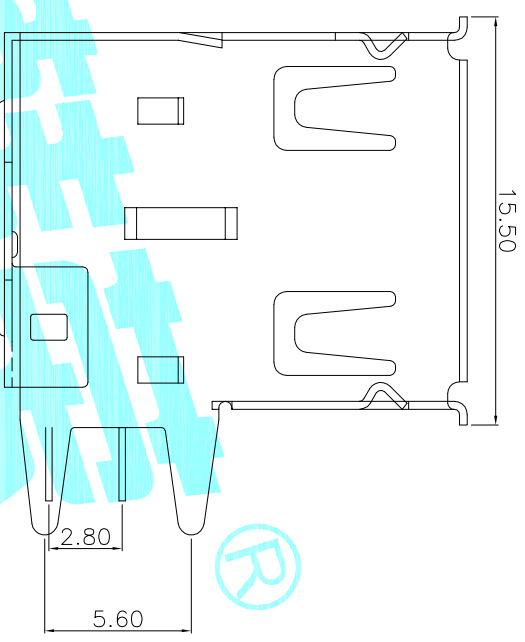
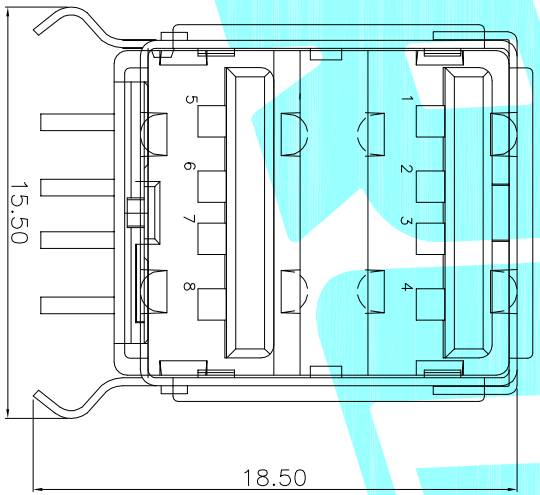
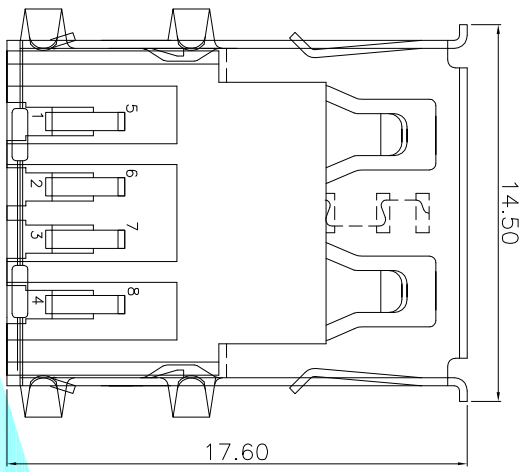


1. Material:
 - Contaeis: Phosphone
 - Bronze
 - insulator: PBT+30%
 - G. F. UL 94V-0
 - Shell: SPCC
2. Mechanical:
 - Mating: 35N max.
 - Withdrowa Force: 10N min.
 - Darabirity: 1500 cycles min.
3. Elecetical:
 - Current-max (amps) 1.5A
 - Voitage-max (volts) 30V
 - Withstanding Voltage 750V AC
 - Contact Resistance (ohms) 30 milliohms max
 - insulation Resistance (ohms) 1000 Megogms min.
4. Plating:
 - Contacts: Gold And Tin Over
 - Nickel Ploled
 - Shell: Nickel over all plating.
5. Environmental:
 - temperatue Range: -55 to 85



Recommended PCB Layout

③	Base	—	1	NYLON		
②	Terminal	—	8	Phosphor Bronze	Ag Plated	
①	Housing	—	1	SPCC	Sn Plated	
ITEM	PART NAME	TER'NO.	QTY.	MATERIAL	FINISHING	REMARK
APPROVALS		DATE				
DRAWN		xu qi feng		2018/8/1		

HLR
ELECTRONICS CO.,LTD

CHECKED		TITLE:		USB CONNECTOR		
APPROVALS		PART NO.		U-A-28DD-Y-1		
TOLERANCES ARE		30~ø±0.1	±0.30	ANGLE		
		10~30	±0.25	UNIT:	mm	
		5~10	±0.20	SCALE:	1:1	
		~5	±0.15	DRAWING NO.		
				PROJ:	①	
				SHEET	1 OF 1	
ECN NO.	REV.	DATE.	DESCRIPTION.	CHANGE.	CHECK.	APPRO.
	A		NEW			