



Features

- Carbon element
- Plain or knurled shaft option
- Metal bushing
- Metal shaft
- Rear solder lugs
- Audio or linear taper options
- Variety of resistance values



- Detent at "no-load" position
- RoHS compliant*

PDB241-GNL Series - "No-Load" Guitar Potentiometer

Electrical Characteristics

Taper.....Audio, linear
 Standard Resistance.....10K to 1M ohms
 Standard Resistance Tolerance.....±20 %

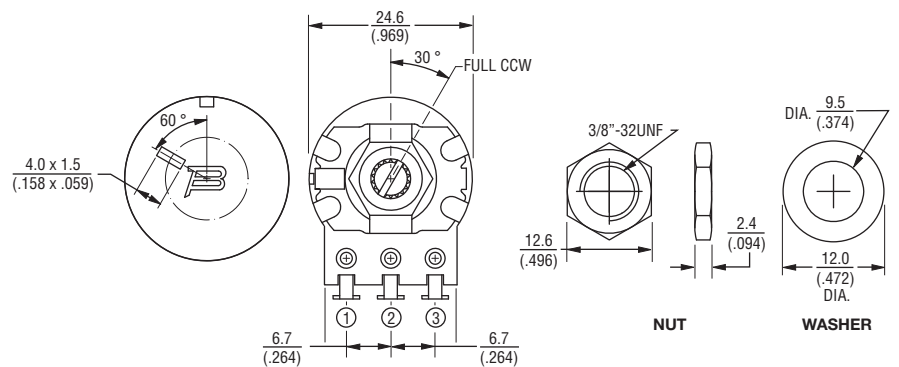
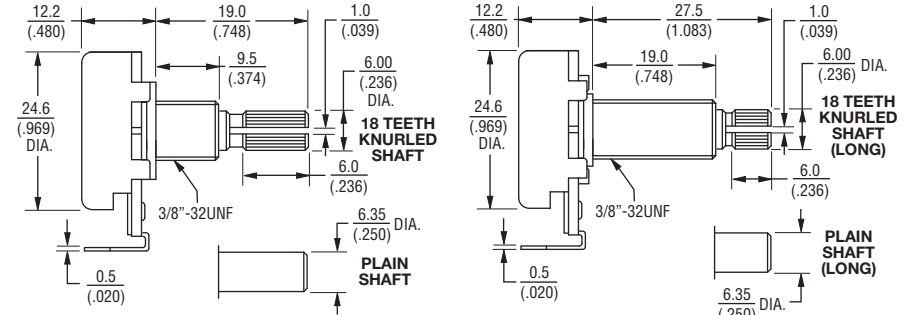
Environmental Characteristics

Operating Temperature
-10 °C to +70 °C
 Power Rating.....0.25 watt
 Maximum Operating Voltage.....250 V
 Rotational Noise.....150 mV max.

Mechanical Characteristics

Mechanical Angle.....300 ° ±5 °
 Rotational Torque.....50 to 150 gf-cm
 Stop Strength.....8 kg-cm min.
 Rotational Life.....15,000 cycles min.
 Detent Position.....300 °
 Detent Torque.....100-300 gf-cm
 Soldering Condition
 Manual Soldering
300 °C within 3 seconds
 Wave Soldering
260 °C within 3 seconds
 Hardware.....Two flat washers
 and two mounting nuts supplied
 per potentiometer

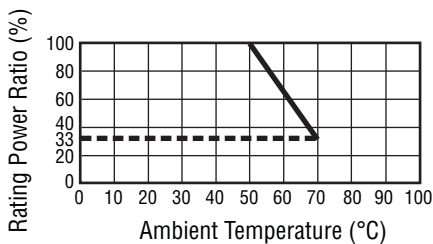
Product Dimensions



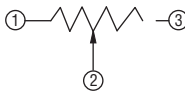
TOLERANCES:
 UNDER 10.0 = ±0.3 10.0 - 100 = ±0.5
 (0.394) (±0.012) (0.394 - 3.937) (±0.020)

DIMENSIONS: $\frac{\text{MM}}{\text{(INCHES)}}$

Derating Curve



Circuit



How To Order

PDB24 1 - GNL 01 - 504 A2

Model _____
 Number of Units _____
 1 = Single
 Guitar Pot Designator _____
 Configuration _____
 01 = Knurled Shaft (18-Tooth) / Solder Lugs
 02 = Plain Shaft / Solder Lugs
 03 = Knurled Shaft (18-Tooth, Long) / Solder Lugs
 04 = Plain Shaft (Long) / Solder Lugs
 11 = Knurled Shaft (24-Tooth) / Solder Lugs
 13 = Knurled Shaft (24-Tooth, Long) / Solder Lugs
 Resistance Code (See Table) _____
 Resistance Taper (See Taper Charts) _____

Standard Resistance Table

Resistance (Ohms)	Resistance Code
10,000	103
25,000	253
50,000	503
100,000	104
250,000	254
300,000	304
500,000	504
1,000,000	105

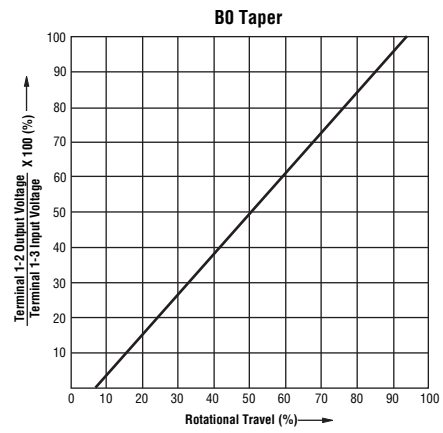
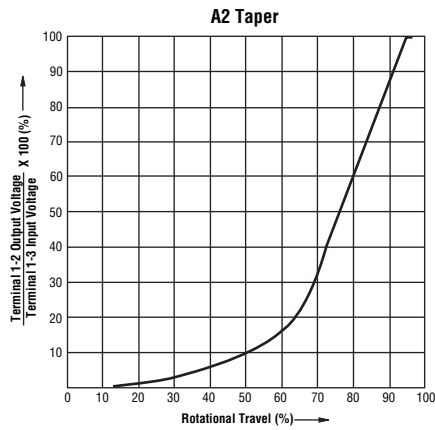
*RoHS Directive 2002/95/EC Jan. 27, 2003 including annex and RoHS Recast 2011/65/EU June 8, 2011. Specifications are subject to change without notice.

The device characteristics and parameters in this data sheet can and do vary in different applications and actual device performance may vary over time. Users should verify actual device performance in their specific applications.

PDB241-GNL Series - "No-Load" Guitar Potentiometer

BOURNS®

Taper Chart



Inquire for availability of other tapers.