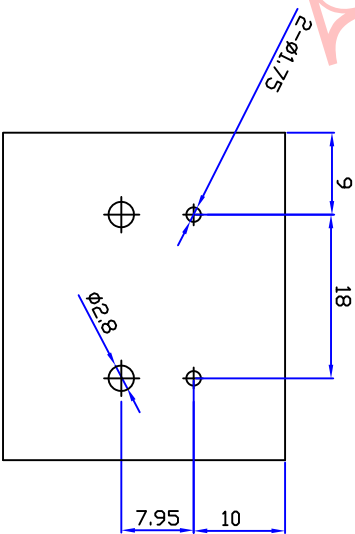
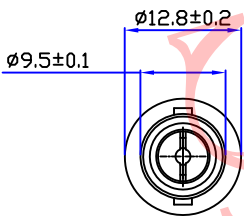
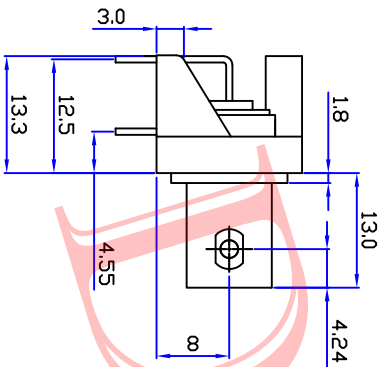
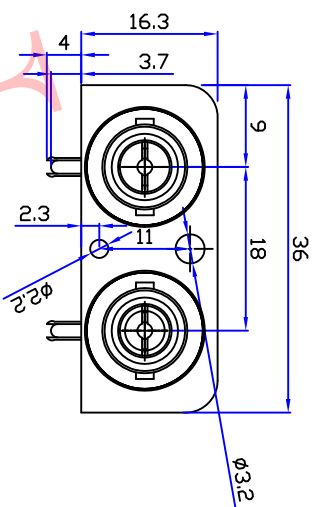
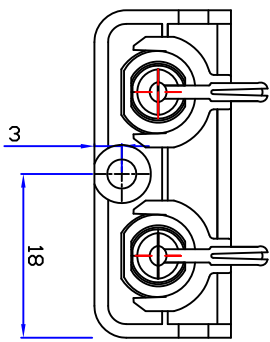
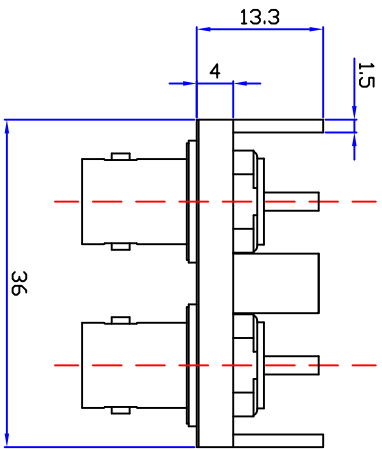




Product NO.		DOSIN-801-0005		
REV	DESCRIPTION	DWN	DATE	APPROVEN
A	First issue	JJM	2012/11/02	John kine



PCB

NOTE:

6	Insulator	POM	---	2	DRAWN	2012/11/10	View	Tolerance	0-6 6-30 30-120 Angular	±0.05 ±0.10 ±0.20 ±2°	MM	1:1	DATE	Product NO.	CAD FILE	SHEET: 1 OF 1
5	Solder column	Iron	NICKEL	2												
4	IRON PLATES	Iron	NICKEL	1	Zelin Zhang	10	UNIT	MM	1:1	DATE	Product NO.	CAD FILE	SHEET: 1 OF 1			
3	PANEL	ABS	BLACK	1	CHECKED		UNIT	MM	1:1	DATE	Product NO.	CAD FILE	SHEET: 1 OF 1			
2	PIN	BRASS	NICKEL	2			UNIT	MM	1:1	DATE	Product NO.	CAD FILE	SHEET: 1 OF 1			
1	BODY	ZINC	NICKEL	2	APPROVALS	12/04.2012	UNIT	MM	1:1	DATE	Product NO.	CAD FILE	SHEET: 1 OF 1			
DESCRIPTION		MATERIAL	FINISH	QTY	John	12/04.2012	UNIT	MM	1:1	DATE	Product NO.	CAD FILE	SHEET: 1 OF 1			

DOSIN Dongshin Industrial(H.K.) Co., Ltd
 东莞市德奈五金电子有限公司
Dosin Hardware Electronics Co., Ltd
 E-mail: dosin2005@163.com
 dosin2005@doshin-china.com
 Web: http://www.doshinconn.com
 TEL: (0086) 769-81133906
 FAX: (0086) 769-81875836

Name: BNC 1x2 CONNECTOR

SIZE A Product NO. DOSIN-801-0005

Date/Time 2012/11/02

D/company drawings/BD