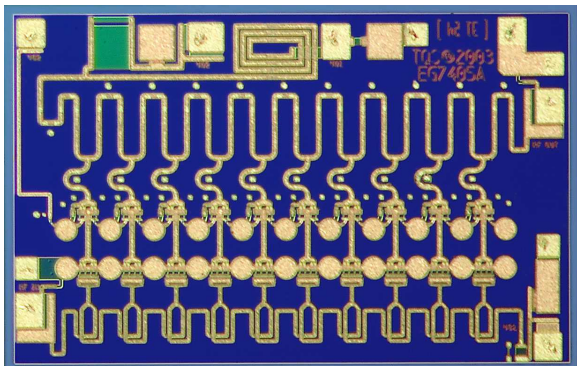


Wideband LNA with AGC

TGA2513-EPU



Key Features

- Frequency Range: 2-23 GHz
- 17 dB Nominal Gain
- > 30 dB Adjustable Gain with Vg2
- 16 dBm Nominal P1dB
- < 2 dB Midband Noise Figure
- 0.15 um 3MI pHEMT Technology
- Nominal Bias: Vd = 5V, Id = 75 mA
- Chip Dimensions: 2.09 x 1.35 x 0.10 mm
(0.082 x 0.053 x 0.004 in)

Product Description

The TriQuint TGA2513-EPU is a compact LNA/Gain Block MMIC with AGC via the control gate. The LNA operates from 2-23 GHz and is designed using TriQuint's proven standard 0.15 um gate pHEMT production process.

The TGA2513-EPU provides a nominal 16 dBm of output power at 1 dB gain compression with a small signal gain of 17 dB. Typical noise figure is < 3 dB from 2-18 GHz.

The TGA2513-EPU is suitable for a variety of wideband electronic warfare systems such as radar warning receivers, electronic counter measures, decoys, jammers and phased array systems.

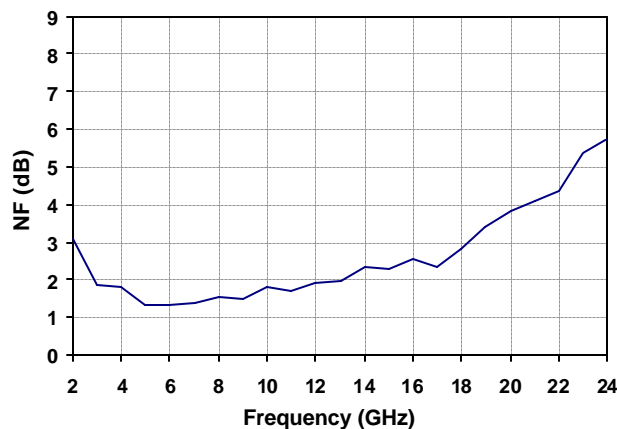
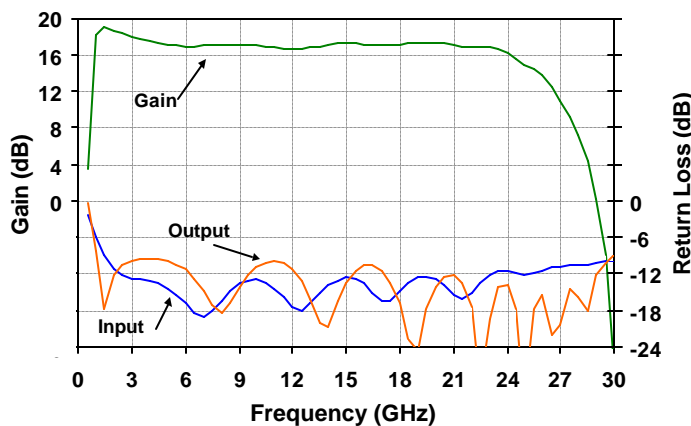
The TGA2513-EPU is 100% DC and RF tested on-wafer to ensure performance compliance.

Primary Applications

- Wideband Gain Block / LNA
- X-Ku Point to Point Radio
- IF & LO Buffer Applications

Measured Fixtured Data

Vd = 5V, Id = 75mA, Vg2 = 2V, Typical Vg1 = -60mV



Note: Devices designated as EPU are typically early in their characterization process prior to finalizing all electrical and process specifications. Specifications are subject to change without notice

**TABLE I
MAXIMUM RATINGS 1/**

SYMBOL	PARAMETER	VALUE	NOTES
V ⁺	Positive Supply Voltage	7 V	<u>2/</u>
V _{g1}	Gate 1 Supply Voltage Range	-2V TO 0 V	
V _{g2}	Gate 2 Supply Voltage Range	-0.5 V TO +3.5 V	
I ⁺	Positive Supply Current	151 mA	<u>2/</u>
I _G	Gate Supply Current	10 mA	
P _{IN}	Input Continuous Wave Power	21 dBm	<u>2/</u>
P _D	Power Dissipation	1.5 W	<u>2/</u> , <u>3/</u>
T _{CH}	Operating Channel Temperature	117 °C	<u>4/</u> , <u>5/</u>
T _M	Mounting Temperature (30 Seconds)	320 °C	
T _{STG}	Storage Temperature	-65 to 117 °C	

- 1/ These ratings represent the maximum operable values for this device.
- 2/ Current is defined under no RF drive conditions. Combinations of supply voltage, supply current, input power, and output power shall not exceed P_D.
- 3/ When operated at this power dissipation with a base plate temperature of 70 °C, the median life is 1 E+6 hours.
- 4/ Junction operating temperature will directly affect the device median time to failure (T_M). For maximum life, it is recommended that junction temperatures be maintained at the lowest possible levels.
- 5/ These ratings apply to each individual FET.

**TABLE II
DC PROBE TEST
(T_A = 25 °C, Nominal)**

SYMBOL	PARAMETER	MINIMUM	MAXIMUM	UNIT
I _{dss, Q1-Q10}	Saturated Drain Current	--	216	mA
V _{p, Q1-Q10}	Pinch-off Voltage	-1	0	V
V _{BVGD, Q1-Q10}	Breakdown Voltage Gate-Drain	-30	-5	V
V _{BVGS, Q1-Q10}	Breakdown Voltage Gate-Source	-30	-5	V

Note: Q1-Q10 is a 720um size FET.

Note: Devices designated as EPU are typically early in their characterization process prior to finalizing all electrical and process specifications. Specifications are subject to change without notice

TABLE III
RF CHARACTERIZATION TABLE

($T_A = 25\text{ }^\circ\text{C}$, Nominal)
 $V_d = 5\text{V}$, $I_d = 75\text{ mA}$ $V_{g2} = 2\text{V}$

SYMBOL	PARAMETER	TEST CONDITION	NOMINAL	UNITS
Gain	Small Signal Gain	$f = 2\text{-}23\text{ GHz}$	17	dB
IRL	Input Return Loss	$f = 2\text{-}23\text{ GHz}$	14	dB
ORL	Output Return Loss	$f = 2\text{-}23\text{ GHz}$	14	dB
NF	Noise Figure	$f = 3\text{-}13\text{ GHz}$ $f = 2\text{-}18\text{ GHz}$	2 < 3	dB
P_{1dB}	Output Power @ 1dB Gain Compression	$f = 2\text{-}23\text{ GHz}$	16	dBm

TABLE IV
THERMAL INFORMATION*

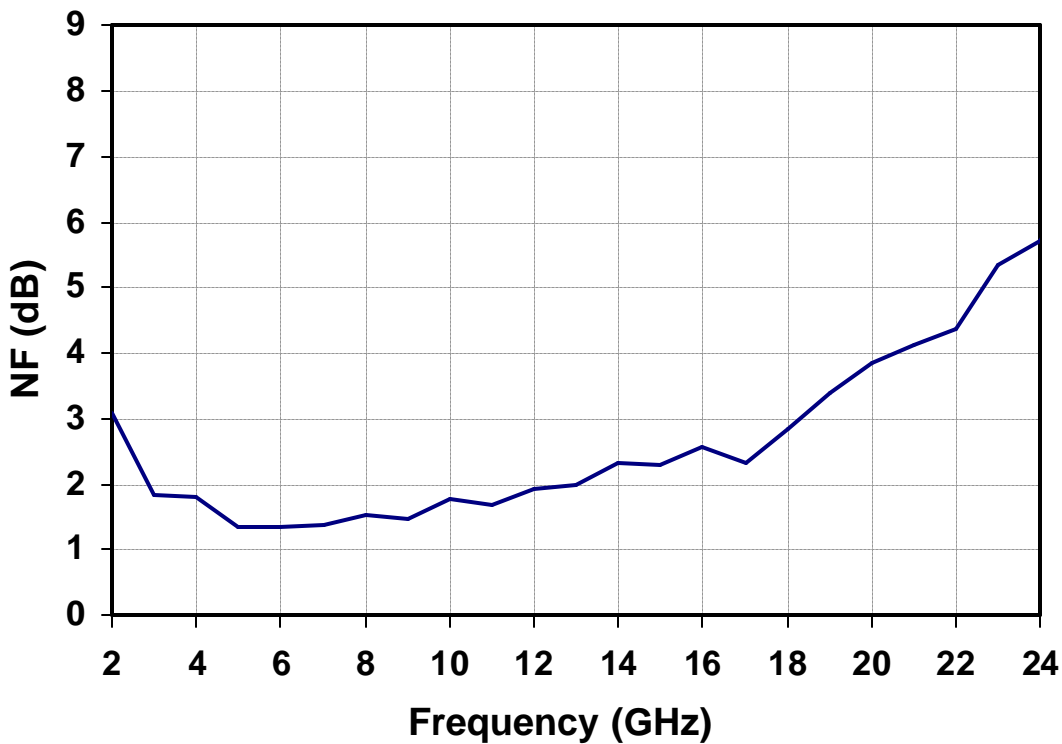
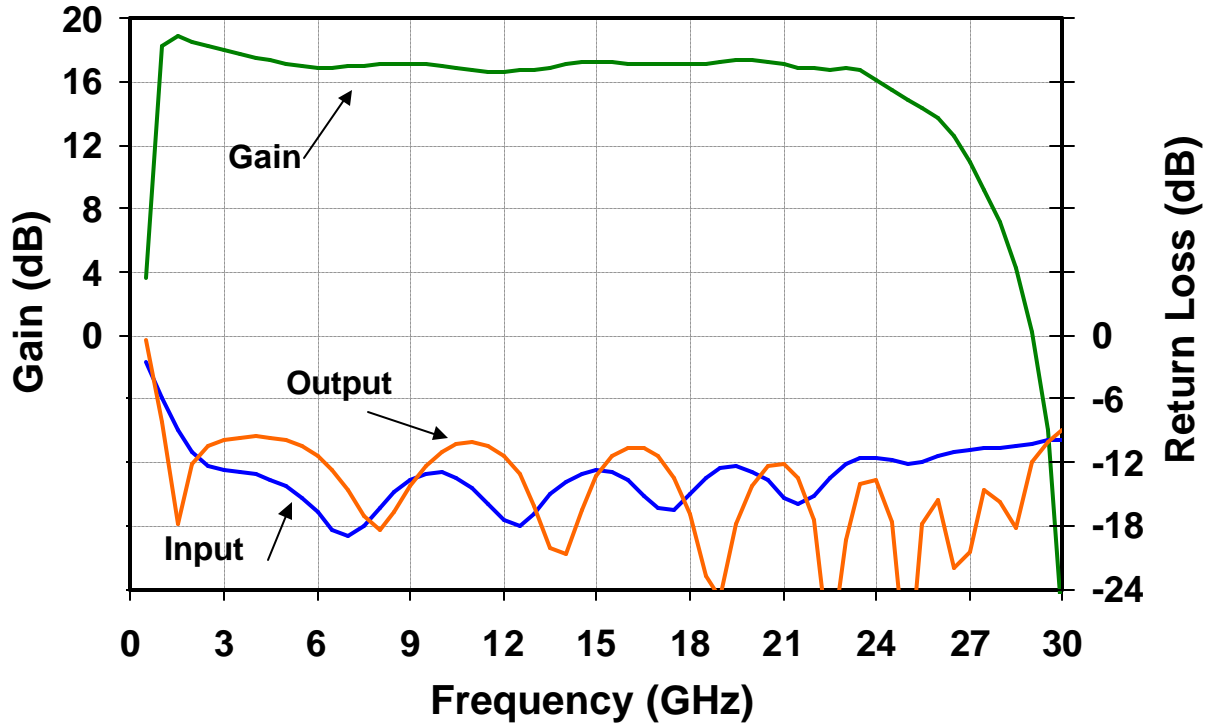
Parameter	Test Conditions	T_{CH} ($^\circ\text{C}$)	R_{qJC} ($^\circ\text{C/W}$)	T_M (HRS)
$R_{\theta JC}$ Thermal Resistance (channel to backside of carrier)	$V_d = 5\text{ V}$ $I_D = 75\text{ mA}$ $P_{diss} = 0.375\text{ W}$	82	32	4.5 E+7

Note: Assumes eutectic attach using 1.5 mil 80/20 AuSn mounted to a 20 mil CuMo Carrier at 70°C baseplate temperature. Worst case condition with no RF applied, 100% of DC power is dissipated.

Note: Devices designated as EPU are typically early in their characterization process prior to finalizing all electrical and process specifications. Specifications are subject to change without notice

Measured Fixtured Data

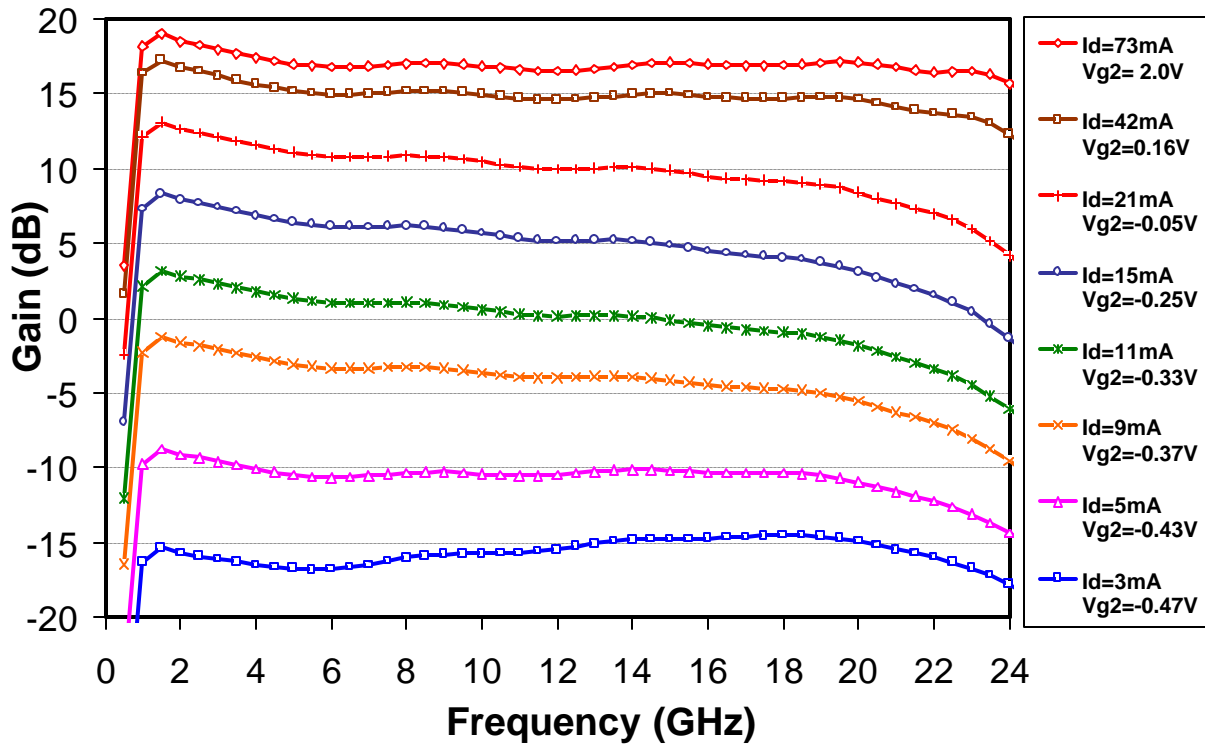
Vd = 5V, Id= 75mA, Typical Vg1 = -60mV, Vg2 = 2V



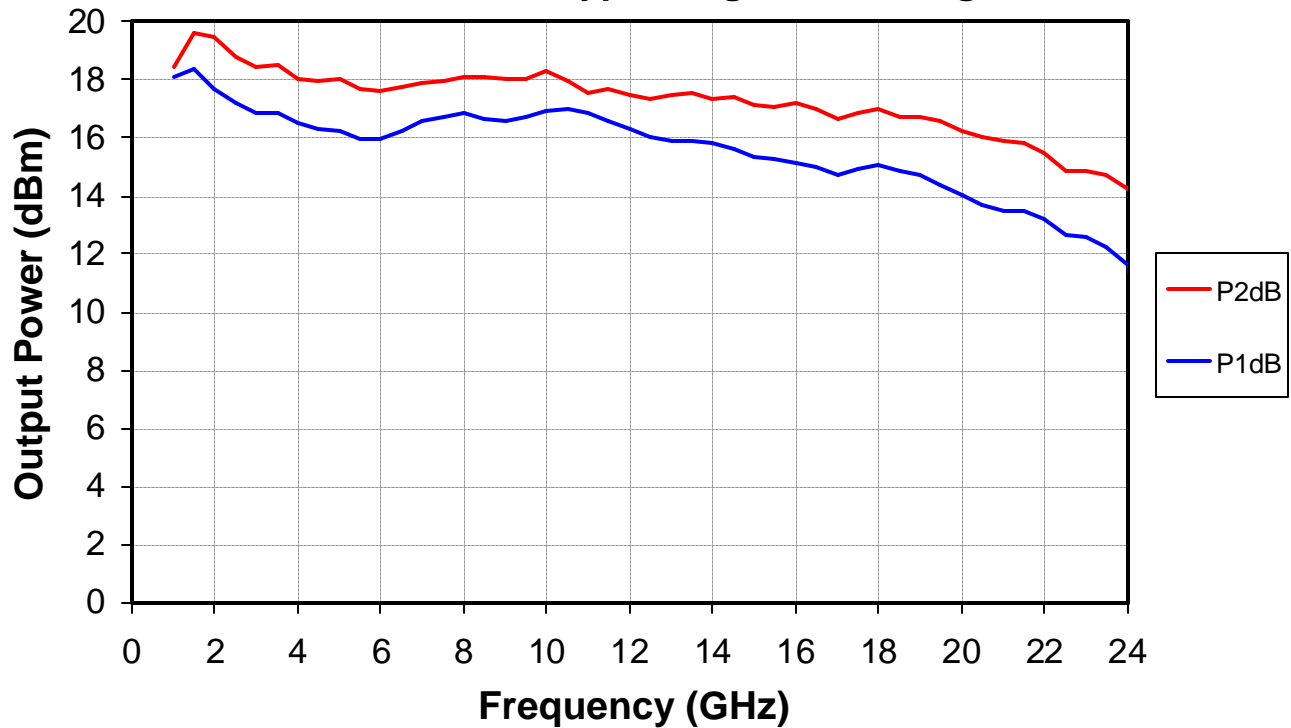
Note: Devices designated as EPU are typically early in their characterization process prior to finalizing all electrical and process specifications. Specifications are subject to change without notice

Measured Fixtured Data

Vd = 5V, Typical Vg1 = -60 mV



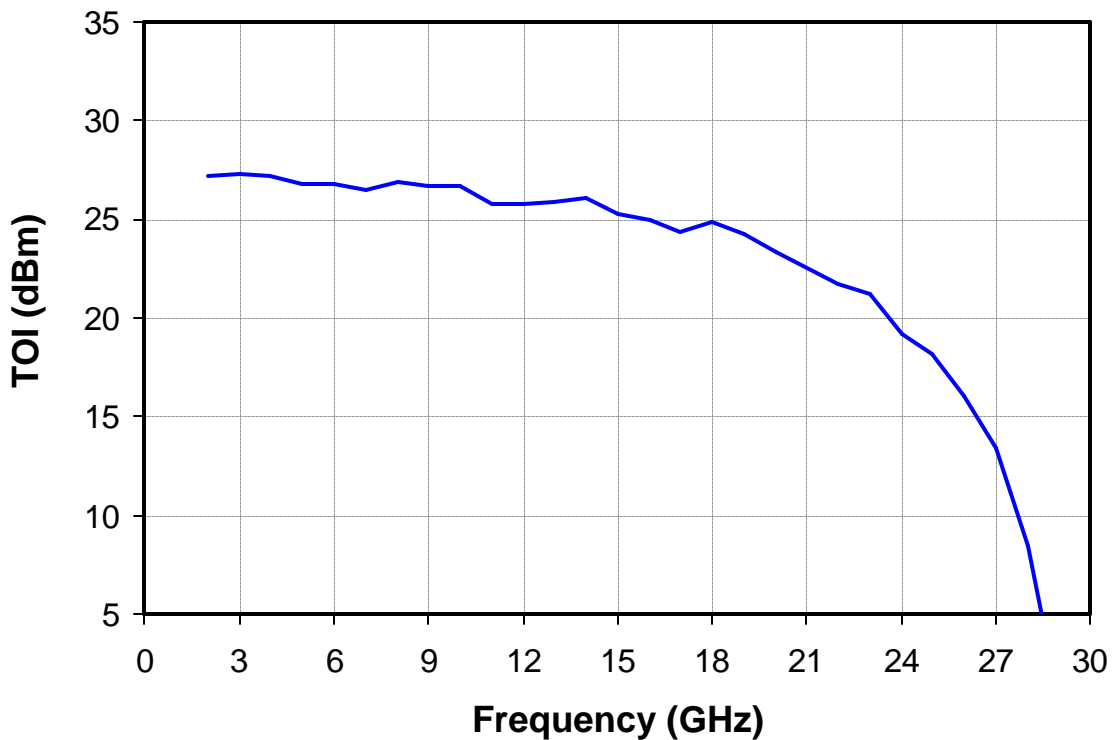
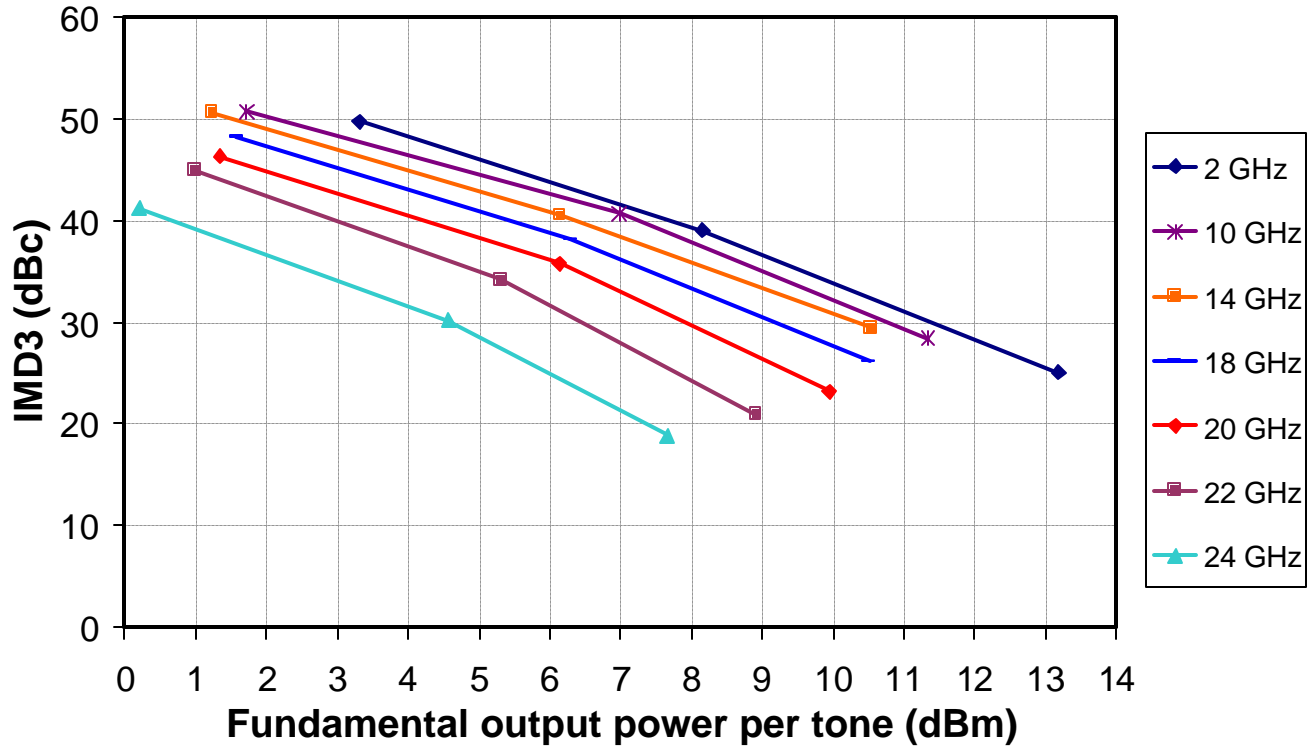
Vd = 5V, Id= 75mA, Typical Vg1 = -60mV, Vg2 = 2V



Note: Devices designated as EPU are typically early in their characterization process prior to finalizing all electrical and process specifications. Specifications are subject to change without notice

Measured Fixtured Data

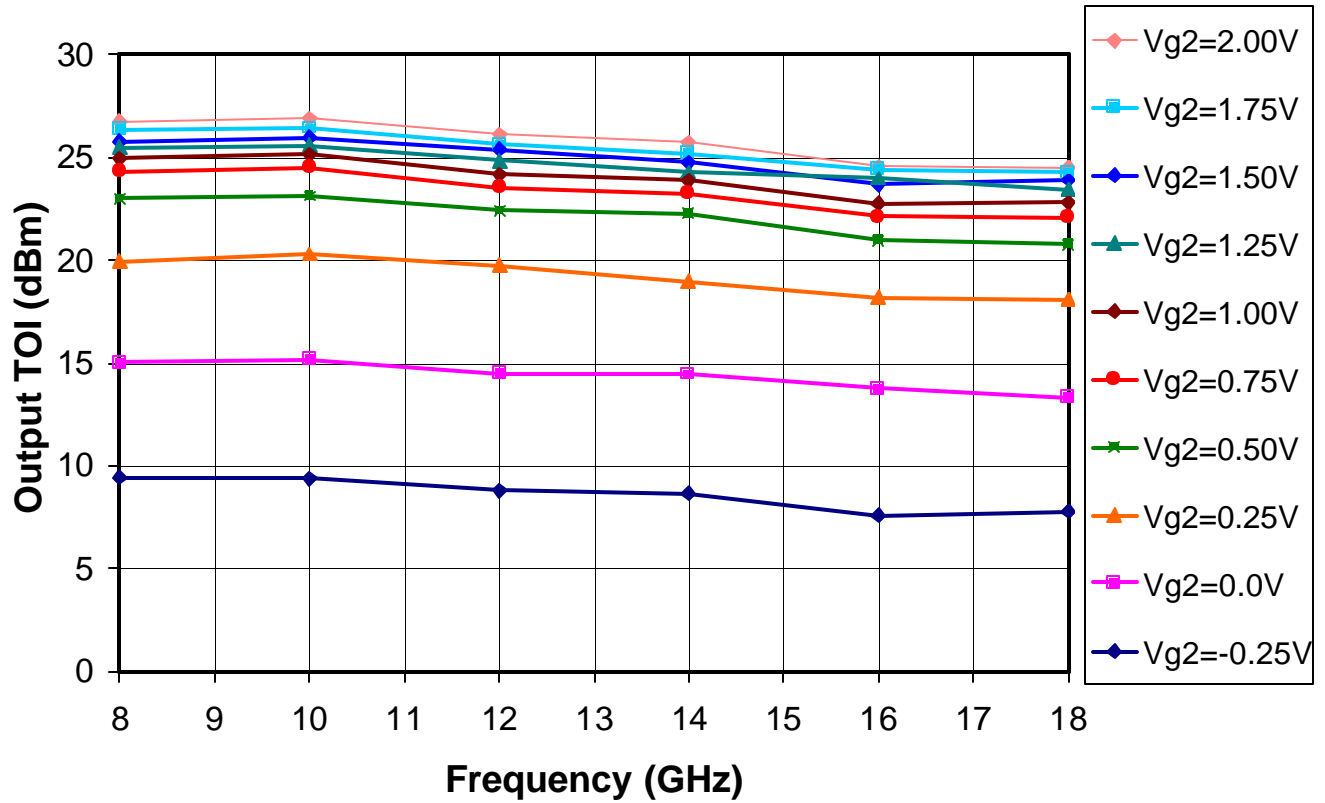
Vd = 5V, Id= 75mA, Typical Vg1 = -60mV, Vg2 = 2V



Note: Devices designated as EPU are typically early in their characterization process prior to finalizing all electrical and process specifications. Specifications are subject to change without notice

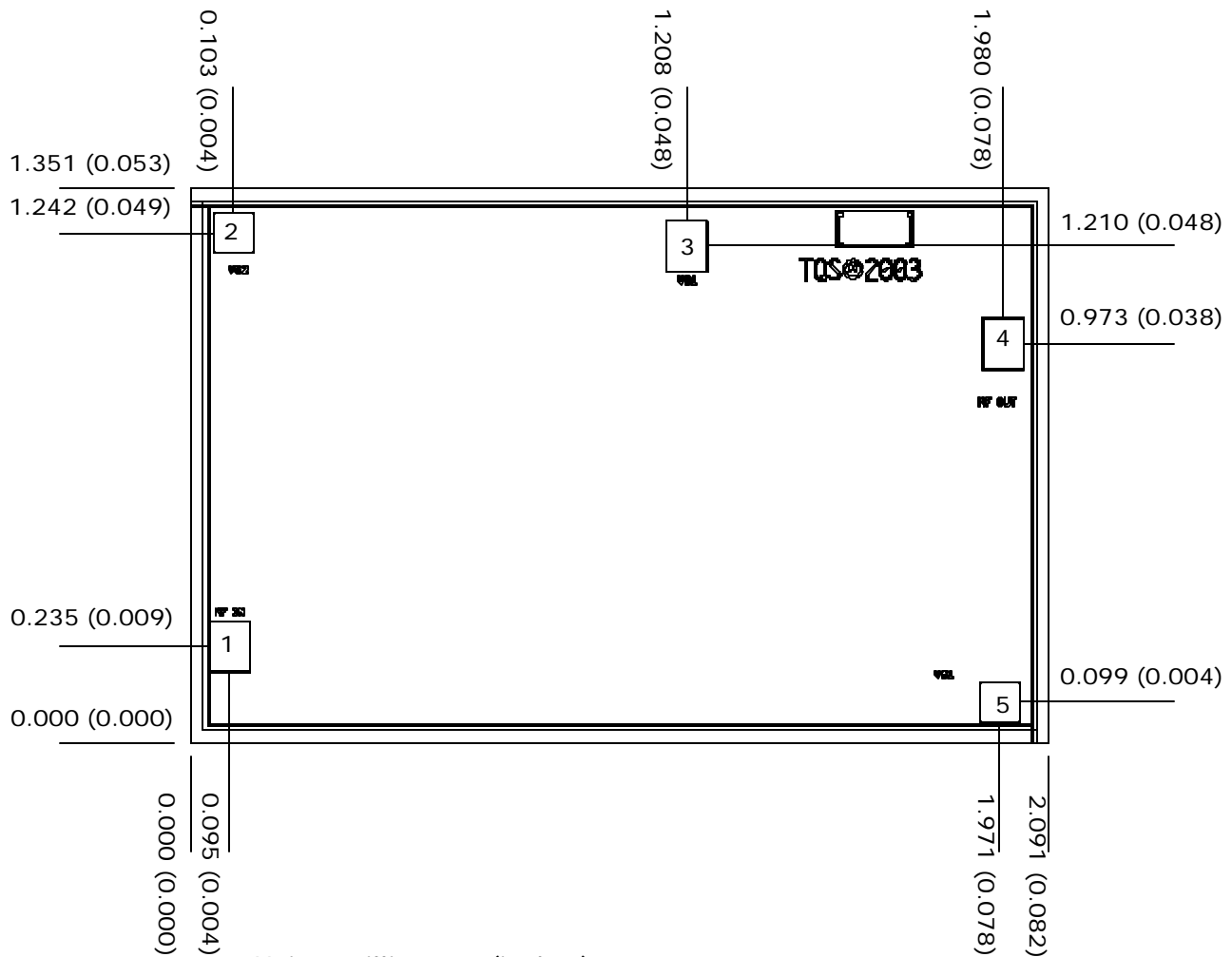
Measured Fixtured Data

Vd = 5V, Id= 75mA, Pin = -10 dBm



Note: Devices designated as EPU are typically early in their characterization process prior to finalizing all electrical and process specifications. Specifications are subject to change without notice

Mechanical Characteristics



Units: millimeters (inches)

Thickness: 0.100 (0.004) (reference only)

Chip edge to bond pad dimensions are shown to center of pad

Chip size tolerance: +/- 0.051 (0.002)

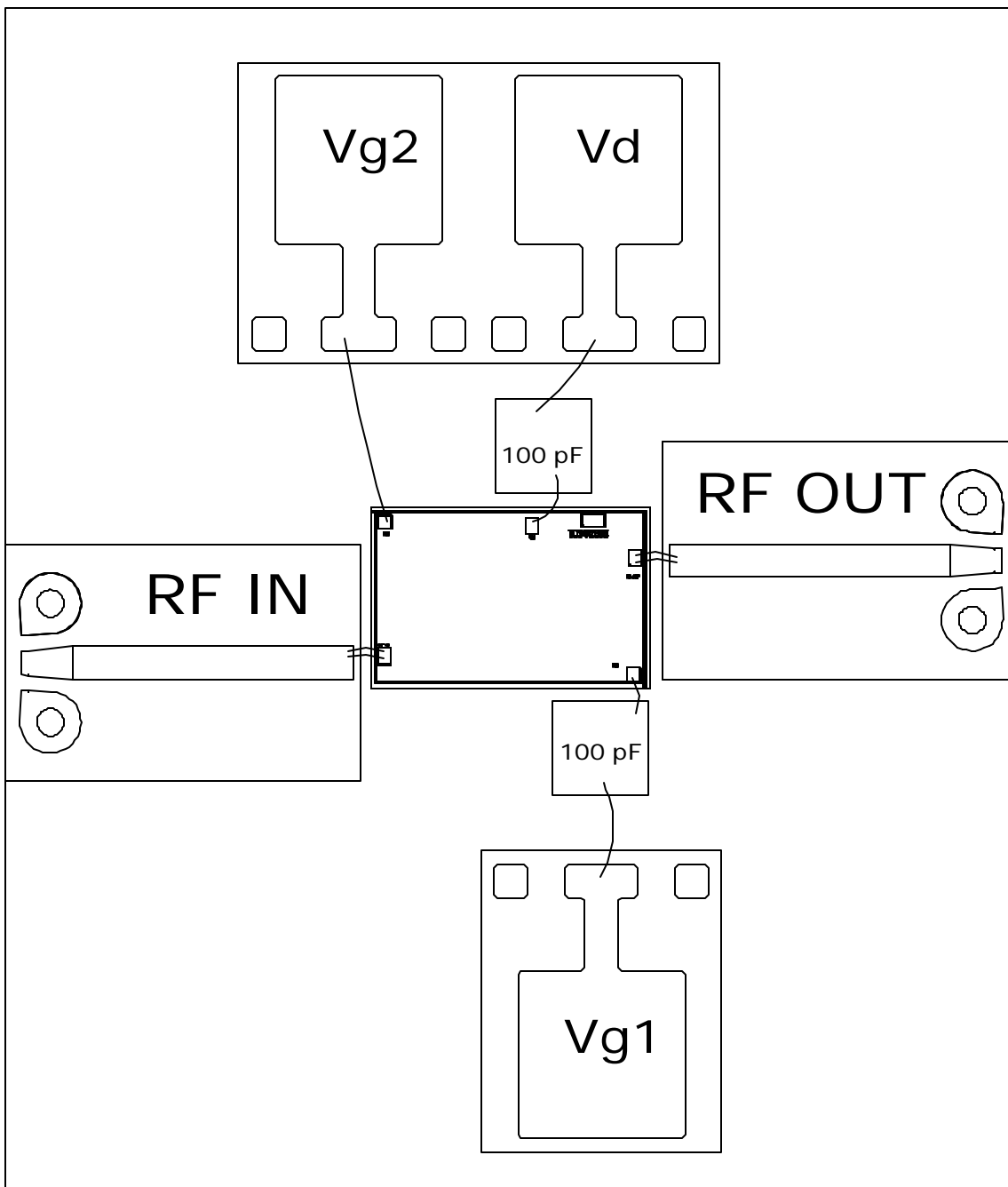
GND IS BACKSIDE OF MMIC

Bond Pad #1:	RF IN	0.100 x 0.125 (0.004 x 0.005)
Bond Pad #2:	VG2	0.100 x 0.100 (0.004 x 0.004)
Bond Pad #3:	VD	0.100 x 0.125 (0.004 x 0.005)
Bond Pad #4:	RF OUT	0.100 x 0.125 (0.004 x 0.005)
Bond Pad #5:	VG1	0.100 x 0.100 (0.004 x 0.004)

GaAs MMIC devices are susceptible to damage from Electrostatic Discharge. Proper precautions should be observed during handling, assembly and test.

Note: Devices designated as EPU are typically early in their characterization process prior to finalizing all electrical and process specifications. Specifications are subject to change without notice

Recommended Assembly Diagram



GaAs MMIC devices are susceptible to damage from Electrostatic Discharge. Proper precautions should be observed during handling, assembly and test.

Note: Devices designated as EPU are typically early in their characterization process prior to finalizing all electrical and process specifications. Specifications are subject to change without notice

Assembly Process Notes

Reflow process assembly notes:

- Use AuSn (80/20) solder with limited exposure to temperatures at or above 300 °C for 30 sec
- An alloy station or conveyor furnace with reducing atmosphere should be used.
- No fluxes should be utilized.
- Coefficient of thermal expansion matching is critical for long-term reliability.
- Devices must be stored in a dry nitrogen atmosphere.

Component placement and adhesive attachment assembly notes:

- Vacuum pencils and/or vacuum collets are the preferred method of pick up.
- Air bridges must be avoided during placement.
- The force impact is critical during auto placement.
- Organic attachment can be used in low-power applications.
- Curing should be done in a convection oven; proper exhaust is a safety concern.
- Microwave or radiant curing should not be used because of differential heating.
- Coefficient of thermal expansion matching is critical.

Interconnect process assembly notes:

- Thermosonic ball bonding is the preferred interconnect technique.
- Force, time, and ultrasonics are critical parameters.
- Aluminum wire should not be used.
- Devices with small pad sizes should be bonded with 0.0007-inch wire.
- Maximum stage temperature is 200 °C.

GaAs MMIC devices are susceptible to damage from Electrostatic Discharge. Proper precautions should be observed during handling, assembly and test.

Note: Devices designated as EPU are typically early in their characterization process prior to finalizing all electrical and process specifications. Specifications are subject to change without notice