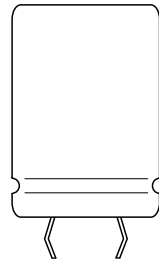
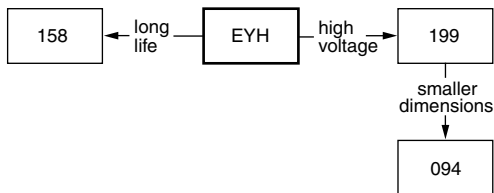


Aluminum Capacitors Standard - 105 °C Snap-in



Component Outline


FEATURES

- Polarized aluminum electrolytic capacitors
- Small dimensions
- High C • U product


**RoHS
COMPLIANT**
APPLICATIONS

- General purpose audio/video systems, industrial electronics, telecommunication
- Smoothing and filtering
- Standard and switch mode power supplies

QUICK REFERENCE DATA

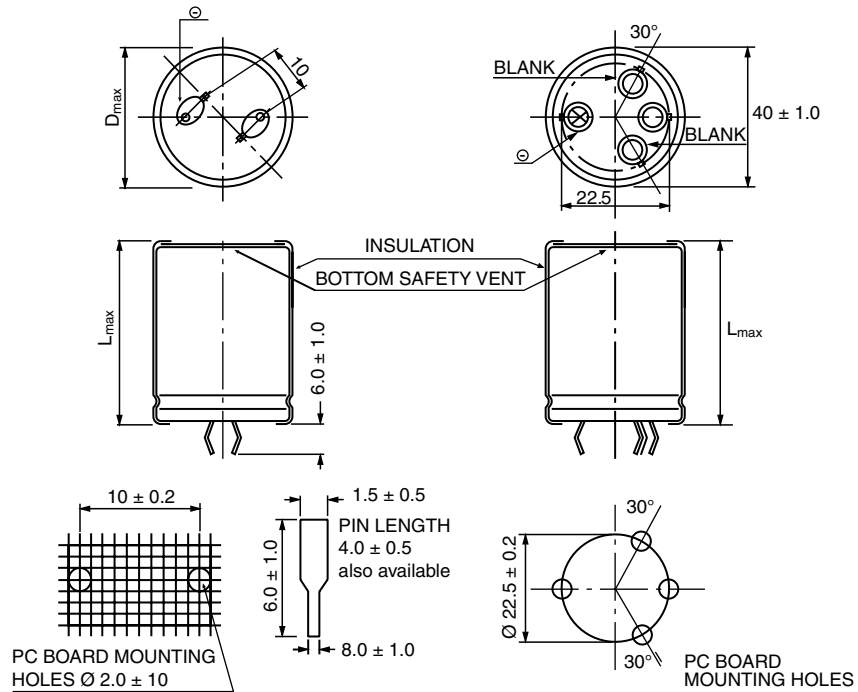
DESCRIPTION	UNIT	LOW VOLTAGE ⁽¹⁾
Nominal Case Size (∅ D x L)	mm	22 x 25 to 40 x 60
Rated Capacitance Range C _R	μF	820 to 68 000
Capacitance Tolerance	%	± 20
Rated Voltage Range	V	6.3 to 100
Category Temperature Range	°C	- 40 to + 105
Endurance test at upper category temp.	h	2000
Useful life at 40 °C and I _R applied	h	300 000
Shelf Life (0 V, 105 °C)	h	1000
Failure Rate (0.8 U _R , 40 °C)	10 ⁻⁹ /h	≤ 50
Based on Sectional Specifications		IEC 60384-4/EN 130300
Climatic Category IEC 60068		40/105/56

Note:
⁽¹⁾ High voltage types are available on special requests

SELECTION CHART FOR C_R, U_R AND RELEVANT NOMINAL CASE SIZES (∅ D x L in mm)

C _R (μF)	U _R (V) ≤ 100 V							
	6.3	10	16	25	35	50	63	100
820	-	-	-	-	-	-	-	22 x 30 25 x 25
1000	-	-	-	-	-	-	-	22 x 35 25 x 30
1200	-	-	-	-	-	-	22 x 25	22 x 40 25 x 35 30 x 25
1500	-	-	-	-	-	-	22 x 30 25 x 25	22 x 45 25 x 40 30 x 30
1800	-	-	-	-	-	-	22 x 30 25 x 25	25 x 45 30 x 35
2200	-	-	-	-	-	22 x 25	22 x 35 25 x 30	25 x 50 30 x 40 35 x 30
2700	-	-	-	-	-	22 x 30	22 x 40 25 x 30 30 x 25	30 x 45 35 x 35

SELECTION CHART FOR C_R, U_R AND RELEVANT NOMINAL CASE SIZES (∅ D x L in mm)								
C _R (μF)	U _R (V) ≤ 100 V							
	6.3	10	16	25	35	50	63	100
3300	-	-	-	-	22 x 25	22 x 35	22 x 50 25 x 40 30 x 30	30 x 50 35 x 40
3900	-	-	-	-	22 x 30	22 x 40 25 x 35 30 x 25	25 x 45 30 x 35	35 x 45
4700	-	-	-	22 x 25	22 x 35 25 x 25	22 x 45 25 x 40 30 x 30	25 x 40 30 x 40 35 x 30	35 x 50 40 x 40
5600	-	-	-	22 x 30	22 x 35 25 x 30 30 x 25	22 x 50 25 x 40 30 x 35	30 x 45 35 x 35	40 x 50
6800	-	-	-	22 x 30	22 x 40 25 x 35 30 x 30 35 x 25	25 x 50 30 x 40 35 x 30	30 x 50 35 x 40	40 x 50
8200	-	-	22 x 25	22 x 35 25 x 30	22 x 50 25 x 40 30 x 30	30 x 45 35 x 35	35 x 45	-
10 000	-	22 x 25	22 x 30 25 x 25	22 x 40 25 x 35	25 x 45 30 x 35	30 x 50 35 x 40	35 x 50 40 x 60	-
12 000	22 x 25	22 x 30	22 x 35 25 x 30 30 x 25	22 x 45 25 x 40 30 x 30	22 x 50 30 x 40 35 x 30	35 x 45	-	-
15 000	22 x 30	22 x 35 25 x 25	22 x 40 25 x 35 30 x 30	25 x 45 30 x 35 35 x 30	30 x 45 35 x 35	30 x 50 40 x 40	-	-
18 000	22 x 35 25 x 25	22 x 35 25 x 30	22 x 45 25 x 40 30 x 30	25 x 50 30 x 40 35 x 35	35 x 40	40 x 50	-	-
22 000	22 x 35 25 x 30	22 x 40 25 x 35 30 x 25	25 x 45 30 x 35	30 x 45 35 x 35	35 x 45 40 x 40	40 x 50	-	-
27 000	22 x 40 25 x 35 30 x 25	22 x 50 25 x 40 30 x 30	25 x 50 30 x 40 35 x 30	35 x 45 40 x 40	40 x 50	40 x 60	-	-
33 000	22 x 50 25 x 40 30 x 30	25 x 45 30 x 35	30 x 45 35 x 35	-	-	-	-	-
39 000	25 x 45 30 x 35	25 x 50 30 x 40 35 x 30	35 x 45 40 x 40	-	-	-	-	-
47 000	25 x 50 30 x 40 35 x 30	30 x 45 35 x 35	35 x 45 40 x 40	-	-	-	-	-
56 000	30 x 50 35 x 40	35 x 45 40 x 40	40 x 50	-	-	-	-	-
68 000	35 x 45 40 x 40	40 x 50	40 x 60	-	-	-	-	-

DIMENSIONS in millimeters **AND AVAILABLE FORMS**


RADIAL STYLE: DIMENSIONS in millimeters, AND PACKAGING QUANTITIES		
NOMINAL CASE SIZE	MAXIMUM SIZE	PACKAGING
22 x 20	23 x 22	200
22 x 25	23 x 27	
22 x 30	23 x 32	
22 x 35	23 x 37	
22 x 40	23 x 42	
22 x 45	23 x 47	
22 x 50	23 x 52	
25 x 20	26.4 x 22	150
25 x 25	26.4 x 27	
25 x 30	26.4 x 32	
25 x 35	26.4 x 37	
25 x 40	26.4 x 42	
25 x 45	26.4 x 47	
25 x 50	26.4 x 52	
30 x 20	31 x 22	100
30 x 25	31 x 27	
30 x 30	31 x 32	
30 x 35	31 x 37	
30 x 40	31 x 42	
30 x 45	31 x 47	
30 x 50	31 x 52	
35 x 20	36 x 22	70
35 x 25	36 x 27	
35 x 30	36 x 32	
35 x 35	36 x 37	
35 x 40	36 x 42	
35 x 45	36 x 47	
35 x 50	36 x 52	
40 x 40	41 x 42	50
40 x 50	41 x 52	
40 x 60	41 x 62	



ELECTRICAL DATA	
SYMBOL	DESCRIPTION
C _R	rated capacitance at 120 Hz
U _R	rated voltage
tan δ	max. dissipation factor at 120 Hz
ESR	max. equivalent series resistance at 120 Hz
Z	max. impedance at 10 kHz
I _R	rated alternating current (rms), 120 Hz and upper category temperature
T _a	ambient temperature
RH	relative humidity
P	ambient pressure

Note

Unless otherwise specified, all electrical values apply at T_a = 20 °C, P = 80 to 120 kPa, RH = 45 to 75 %.

ORDERING EXAMPLE

The 12th place of ordering code refers to the length of the snap-in pins:

EYH07...02 0 = snap-in pin 6 mm
EYH07...42 4 = snap-in pin 4 mm

The 13th place of ordering code refers to the kind of insulation:

EYH07...01 1 = sleeve insulation

The 14th place (□), not indicated in the following table, is an inter-company code and is not relevant to your order.

EYH07LA447F42 = EYH 4700 μF/35 V 22 mm x 35 mm, snap-in pin 4 mm, fully insulated.

ELECTRICAL DATA AND ORDERING INFORMATION									
U _R (V)	C _R 120 Hz (μF)	NOMINAL CASE SIZE Ø D x L (mm)	IR 120 Hz 105 °C (A)	TAN δ 120 Hz MAX.	ESR 120 Hz MAX. (Ω)	Z 10 kHz MAX. (Ω)	WEIGHT (g)	CATALOG NUMBER	SAP MATERIAL
6.3	12 000	22 x 25	2.2	0.66	0.075	0.075	14	EYH07LU512B02K	MALIEYH07LU512B02K
	15 000	22 x 30	2.5	0.66	0.060	0.060	16	EYH07LV515B02K	MALIEYH07LV515B02K
	18 000	22 x 35	2.9	0.66	0.050	0.050	19	EYH07LA518B02K	MALIEYH07LA518B02K
	18 000	25 x 25	2.8	0.74	0.055	0.055	18	EYH07AU518B02K	MALIEYH07AU518B02K
	22 000	22 x 35	3.0	0.69	0.045	0.040	19	EYH07LA522B02K	MALIEYH07LA522B02K
	22 000	25 x 30	3.2	0.72	0.045	0.045	21	EYH07AV522B02K	MALIEYH07AV522B02K
	27 000	22 x 40	3.4	0.69	0.035	0.035	22	EYH07LB527B02K	MALIEYH07LB527B02K
	27 000	25 x 35	3.5	0.73	0.040	0.035	25	EYH07AA527B02K	MALIEYH07AA527B02K
	27 000	30 x 25	3.4	0.90	0.045	0.045	25	EYH07BU527B02K	MALIEYH07BU527B02K
	33 000	22 x 50	3.9	0.68	0.030	0.030	27	EYH07LD533B02K	MALIEYH07LD533B02K
	33 000	25 x 40	3.9	0.74	0.030	0.030	28	EYH07AB533B02K	MALIEYH07AB533B02K
	33 000	30 x 30	3.8	0.87	0.035	0.035	30	EYH07BV533B02K	MALIEYH07BV533B02K
	39 000	25 x 45	4.3	0.74	0.030	< 0.030	31	EYH07AC539B02K	MALIEYH07AC539B02K
	39 000	30 x 35	4.2	0.86	0.030	0.030	35	EYH07BA539B02K	MALIEYH07BA539B02K
	47 000	25 x 50	4.6	0.76	< 0.030	< 0.030	35	EYH07AD547B02K	MALIEYH07AD547B02K
	47 000	30 x 40	4.6	0.87	< 0.030	< 0.030	40	EYH07BB547B02K	MALIEYH07BB547B02K
	47 000	35 x 30	4.5	1.13	0.035	0.035	41	EYH07CV547B02K	MALIEYH07CV547B02K
	56 000	30 x 50	5.2	0.82	< 0.030	< 0.030	50	EYH07BD556B02K	MALIEYH07BD556B02K
56 000	35 x 40	5.1	0.97	< 0.030	< 0.030	55	EYH07CB556B02K	MALIEYH07CB556B02K	
68 000	35 x 45	5.5	1.01	< 0.030	< 0.030	62	EYH07CC568B02K	MALIEYH07CC568B02K	
68 000	40 x 40	5.6	1.14	< 0.030	< 0.030	72	EYH07DB568B02K	MALIEYH07DB568B02K	
10	10 000	22 x 25	2.2	0.59	0.080	0.075	14	EYH07LU510C02K	MALIEYH07LU510C02K
	12 000	22 x 30	2.5	0.57	0.065	0.060	16	EYH07LV512C02K	MALIEYH07LV512C02K
	15 000	22 x 35	2.8	0.59	0.055	0.050	19	EYH07LA515C02K	MALIEYH07LA515C02K
	15 000	25 x 25	2.8	0.66	0.060	0.055	18	EYH07AU515C02K	MALIEYH07AU515C02K
	18 000	22 x 35	3.0	0.61	0.045	0.045	19	EYH07LA518C02K	MALIEYH07LA518C02K
	18 000	25 x 30	3.1	0.65	0.050	0.050	21	EYH07AV518C02K	MALIEYH07AV518C02K
	22 000	22 x 40	3.4	0.62	0.040	0.040	22	EYH07LB522C02K	MALIEYH07LB522C02K
	22 000	25 x 35	3.5	0.65	0.040	0.040	25	EYH07AA522C02K	MALIEYH07AA522C02K
	22 000	30 x 25	3.4	0.81	0.050	0.050	25	EYH07BU522C02K	MALIEYH07BU522C02K
	27 000	22 x 50	3.9	0.61	0.030	0.030	27	EYH07LD527C02K	MALIEYH07LD527C02K
	27 000	25 x 40	3.9	0.66	0.035	0.035	28	EYH07AB527C02K	MALIEYH07AB527C02K



Aluminum Capacitors
Standard - 105 °C Snap-in

Vishay Roederstein

ELECTRICAL DATA AND ORDERING INFORMATION									
U _R (V)	C _R 120 Hz (μF)	NOMINAL CASE SIZE Ø D x L (mm)	IR 120 Hz 105 °C (A)	TAN δ 120 Hz MAX.	ESR 120 Hz MAX. (Ω)	Z 10 kHz MAX. (Ω)	WEIGHT (g)	CATALOG NUMBER	SAP MATERIAL
10	27 000	30 x 30	3.8	0.79	0.040	0.040	30	EYH07BV527C02K	MALIEYH07BV527C02K
	33 000	25 x 45	4.3	0.67	0.030	0.030	31	EYH07AC533C02K	MALIEYH07AC533C02K
	33 000	30 x 35	4.2	0.79	0.035	0.030	35	EYH07BA533C02K	MALIEYH07BA533C02K
	39 000	25 x 50	4.6	0.69	< 0.030	< 0.030	35	EYH07AD539C02K	MALIEYH07AD539C02K
	39 000	30 x 40	4.6	0.79	0.030	0.030	40	EYH07BB539C02K	MALIEYH07BB539C02K
	39 000	35 x 30	4.5	1.05	0.040	0.035	41	EYH07CV539C02K	MALIEYH07CV539C02K
	47 000	30 x 45	5.0	0.81	< 0.030	< 0.030	45	EYH07BC547C02K	MALIEYH07BC547C02K
	47 000	35 x 35	4.9	1.04	0.030	0.030	48	EYH07CA547C02K	MALIEYH07CA547C02K
	56 000	35 x 45	5.5	0.93	< 0.030	< 0.030	62	EYH07CC556C02K	MALIEYH07CC556C02K
	56 000	40 x 40	5.6	1.05	< 0.030	< 0.030	72	EYH07DB556C02K	MALIEYH07DB556C02K
	68 000	40 x 50	6.2	0.99	< 0.030	< 0.030	89	EYH07DD568C02K	MALIEYH07DD568C02K
16	8200	22 x 25	2.1	0.49	0.080	0.075	14	EYH07LU482D02K	MALIEYH07LU482D02K
	10 000	22 x 30	2.5	0.48	0.065	0.060	16	EYH07LV510D02K	MALIEYH07LV510D02K
	10 000	25 x 25	2.6	0.51	0.070	0.065	18	EYH07AU510D02K	MALIEYH07AU510D02K
	12 000	22 x 35	2.8	0.48	0.055	0.050	19	EYH07LA512D02K	MALIEYH07LA512D02K
	12 000	25 x 30	2.9	0.50	0.060	0.055	21	EYH07AV512D02K	MALIEYH07AV512D02K
	12 000	30 x 25	3.0	0.54	0.060	0.055	25	EYH07BU512D02K	MALIEYH07BU512D02K
	15 000	22 x 40	3.2	0.48	0.045	0.040	22	EYH07LB515D02K	MALIEYH07LB515D02K
	15 000	25 x 35	3.3	0.50	0.045	0.045	25	EYH07AA515D02K	MALIEYH07AA515D02K
	15 000	30 x 30	3.4	0.53	0.050	0.045	30	EYH07BV515D02K	MALIEYH07BV515D02K
	18 000	22 x 45	3.5	0.49	0.040	0.035	24	EYH07LC518D02K	MALIEYH07LC518D02K
	18 000	25 x 40	3.7	0.50	0.040	0.035	28	EYH07AB518D02K	MALIEYH07AB518D02K
	18 000	30 x 30	3.6	0.58	0.045	0.040	30	EYH07BV518D02K	MALIEYH07BV518D02K
	22 000	25 x 45	4.0	0.51	0.035	0.030	31	EYH07AC522D02K	MALIEYH07AC522D02K
	22 000	30 x 35	4.0	0.58	0.035	0.035	35	EYH07BA522D02K	MALIEYH07BA522D02K
	27 000	25 x 50	4.4	0.53	0.030	< 0.030	35	EYH07AD527D02K	MALIEYH07AD527D02K
	27 000	30 x 40	4.4	0.59	0.030	0.030	40	EYH07BB527D02K	MALIEYH07BB527D02K
	27 000	35 x 30	4.3	0.74	0.040	0.035	41	EYH07CV527D02K	MALIEYH07CV527D02K
	33 000	30 x 45	4.8	0.61	< 0.030	< 0.030	45	EYH07BC533D02K	MALIEYH07BC533D02K
	33 000	35 x 35	4.7	0.75	0.035	0.030	48	EYH07CA533D02K	MALIEYH07CA533D02K
	39 000	30 x 50	5.2	0.62	< 0.030	< 0.030	50	EYH07BD539D02K	MALIEYH07BD539D02K
	39 000	35 x 40	5.1	0.75	0.030	< 0.030	55	EYH07CB539D02K	MALIEYH07CB539D02K
	47 000	35 x 45	5.5	0.74	< 0.030	< 0.030	62	EYH07CC547D02K	MALIEYH07CC547D02K
	47 000	40 x 40	5.6	0.88	< 0.030	< 0.030	72	EYH07DB547D02K	MALIEYH07DB547D02K
	56 000	40 x 50	6.2	0.81	< 0.030	< 0.030	89	EYH07DD556D02K	MALIEYH07DD556D02K
	68 000	40 x 60	6.8	0.80	< 0.030	< 0.030	107	EYH07DF568D02K	MALIEYH07DF568D02K

ELECTRICAL DATA AND ORDERING INFORMATION

U_R (V)	C_R 120 Hz (μ F)	NOMINAL CASE SIZE \varnothing D x L (mm)	IR 120 Hz 105 °C (A)	TAN δ 120 Hz MAX.	ESR 120 Hz MAX. (Ω)	Z 10 kHz MAX. (Ω)	WEIGHT (g)	CATALOG NUMBER	SAP MATERIAL
25	4700	22 x 25	1.7	0.41	0.120	0.105	14	EYH07LU447E02K	MALIEYH07LU447E02K
	5600	22 x 30	2.0	0.40	0.095	0.090	16	EYH07LV456E02K	MALIEYH07LV456E02K
	6800	22 x 30	2.1	0.41	0.080	0.075	16	EYH07LV468E02K	MALIEYH07LV468E02K
	8200	22 x 35	2.4	0.41	0.070	0.060	19	EYH07LA482E02K	MALIEYH07LA482E02K
	8200	25 x 30	2.5	0.42	0.070	0.065	21	EYH07AV482E02K	MALIEYH07AV482E02K
	10 000	22 x 40	2.8	0.41	0.055	0.050	22	EYH07LB510E02K	MALIEYH07LB510E02K
	10 000	25 x 35	2.9	0.42	0.060	0.055	25	EYH07AA510E02K	MALIEYH07AA510E02K
	12 000	22 x 45	3.1	0.41	0.050	0.045	24	EYH07LC512E02K	MALIEYH07LC512E02K
	12 000	25 x 40	3.2	0.42	0.050	0.045	28	EYH07AB512E02K	MALIEYH07AB512E02K
	12 000	30 x 30	3.2	0.45	0.050	0.045	30	EYH07BV512E02K	MALIEYH07BV512E02K
	15 000	25 x 45	3.6	0.43	0.040	0.035	31	EYH07AC515E02K	MALIEYH07AC515E02K
	15 000	30 x 35	3.6	0.46	0.045	0.040	35	EYH07BA515E02K	MALIEYH07BA515E02K
	15 000	35 x 30	3.7	0.49	0.045	0.040	41	EYH07CV515E02K	MALIEYH07CV515E02K
	18 000	25 x 50	4.0	0.43	0.035	0.030	35	EYH07AD518E02K	MALIEYH07AD518E02K
	18 000	30 x 40	4.0	0.46	0.035	0.035	40	EYH07BB518E02K	MALIEYH07BB518E02K
	18 000	35 x 35	4.1	0.49	0.040	0.035	48	EYH07CA518E02K	MALIEYH07CA518E02K
	22 000	30 x 45	4.4	0.47	0.030	0.030	45	EYH07BC522E02K	MALIEYH07BC522E02K
	22 000	35 x 35	4.3	0.54	0.035	0.030	48	EYH07CA522E02K	MALIEYH07CA522E02K
	27 000	35 x 45	4.9	0.51	0.030	< 0.030	62	EYH07CC527E02K	MALIEYH07CC527E02K
	27 000	40 x 40	5.0	0.55	0.030	< 0.030	72	EYH07DB527E02K	MALIEYH07DB527E02K
35	3300	22 x 25	1.6	0.33	0.135	0.120	14	EYH07LU433F02K	MALIEYH07LU433F02K
	3900	22 x 30	1.9	0.33	0.115	0.100	16	EYH07LV439F02K	MALIEYH07LV439F02K
	4700	22 x 35	2.1	0.33	0.095	0.085	19	EYH07LA447F02K	MALIEYH07LA447F02K
	4700	25 x 25	2.1	0.34	0.100	0.085	18	EYH07AU447F02K	MALIEYH07AU447F02K
	5600	22 x 35	2.3	0.34	0.085	0.075	19	EYH07LA456F02K	MALIEYH07LA456F02K
	5600	25 x 30	2.4	0.34	0.085	0.075	21	EYH07AV456F02K	MALIEYH07AV456F02K
	5600	30 x 25	2.4	0.35	0.085	0.075	25	EYH07BU456F02K	MALIEYH07BU456F02K
	6800	22 x 40	2.6	0.34	0.070	0.060	22	EYH07LB468F02K	MALIEYH07LB468F02K
	6800	25 x 35	2.7	0.34	0.070	0.060	25	EYH07AA468F02K	MALIEYH07AA468F02K
	6800	30 x 30	2.8	0.35	0.070	0.065	30	EYH07BV468F02K	MALIEYH07BV468F02K
	8200	22 x 50	3.0	0.33	0.055	0.050	27	EYH07LD482F02K	MALIEYH07LD482F02K
	8200	25 x 40	3.0	0.33	0.055	0.050	28	EYH07AB482F02K	MALIEYH07AB482F02K
	8200	30 x 30	3.0	0.36	0.060	0.055	30	EYH07BV482F02K	MALIEYH07BV482F02K
	10 000	25 x 45	3.4	0.34	0.050	0.040	31	EYH07AC510F02K	MALIEYH07AC510F02K
	10 000	30 x 35	3.4	0.36	0.050	0.045	35	EYH07BA510F02K	MALIEYH07BA510F02K
	12 000	25 x 50	3.8	0.35	0.040	0.035	35	EYH07AD512F02K	MALIEYH07AD512F02K
	12 000	30 x 40	3.8	0.36	0.040	0.040	40	EYH07BB512F02K	MALIEYH07BB512F02K
	12 000	35 x 30	3.7	0.41	0.050	0.040	41	EYH07CV512F02K	MALIEYH07CV512F02K
	15 000	30 x 45	4.2	0.37	0.035	0.030	45	EYH07BC515F02K	MALIEYH07BC515F02K
	15 000	35 x 35	4.1	0.42	0.040	0.035	48	EYH07CA515F02K	MALIEYH07CA515F02K
	18 000	35 x 40	4.5	0.42	0.035	0.030	55	EYH07CB518F02K	MALIEYH07CB518F02K
	22 000	35 x 45	5.0	0.43	0.030	< 0.030	62	EYH07CC522F02K	MALIEYH07CC522F02K
	22 000	40 x 40	5.0	0.47	0.030	< 0.030	72	EYH07DB522F02K	MALIEYH07DB522F02K
	27 000	40 x 50	5.9	0.45	< 0.030	< 0.030	89	EYH07DD527F02K	MALIEYH07DD527F02K



Aluminum Capacitors
Standard - 105 °C Snap-in

Vishay Roederstein

ELECTRICAL DATA AND ORDERING INFORMATION									
U _R (V)	C _R 120 Hz (µF)	NOMINAL CASE SIZE Ø D x L (mm)	IR 120 Hz 105 °C (A)	TAN δ 120 Hz MAX.	ESR 120 Hz MAX. (Ω)	Z 10 kHz MAX. (Ω)	WEIGHT (g)	CATALOG NUMBER	SAP MATERIAL
50	2200	22 X 25	1.64	0.27	0.16	0.07	14	EYH07LU422H02K	MALIEYH07LU422H02K
	2700	22 x 30	1.9	0.28	0.140	0.120	16	EYH07LV427H02K	MALIEYH07LV427H02K
	3300	22 x 35	2.2	0.28	0.115	0.100	19	EYH07LA433H02K	MALIEYH07LA433H02K
	3900	22 x 40	2.5	0.28	0.100	0.085	22	EYH07LB439H02K	MALIEYH07LB439H02K
	3900	25 x 35	2.6	0.29	0.100	0.085	25	EYH07AA439H02K	MALIEYH07AA439H02K
	3900	30 x 25	2.5	0.29	0.100	0.085	25	EYH07BU439H02K	MALIEYH07BU439H02K
	4700	22 x 45	2.8	0.28	0.080	0.070	24	EYH07LC447H02K	MALIEYH07LC447H02K
	4700	25 x 40	2.9	0.29	0.085	0.070	28	EYH07AB447H02K	MALIEYH07AB447H02K
	4700	30 x 30	2.9	0.29	0.085	0.070	30	EYH07BV447H02K	MALIEYH07BV447H02K
	5600	22 x 50	3.1	0.28	0.070	0.060	27	EYH07LD456H02K	MALIEYH07LD456H02K
	5600	25 x 40	3.1	0.29	0.070	0.060	28	EYH07AB456H02K	MALIEYH07AB456H02K
	5600	30 x 35	3.2	0.29	0.070	0.060	35	EYH07BA456H02K	MALIEYH07BA456H02K
	6800	25 x 50	3.6	0.29	0.060	0.050	35	EYH07AD468H02K	MALIEYH07AD468H02K
	6800	30 x 40	3.6	0.29	0.060	0.050	40	EYH07BB468H02K	MALIEYH07BB468H02K
	6800	35 x 30	3.5	0.31	0.065	0.055	41	EYH07CV468H02K	MALIEYH07CV468H02K
	8200	30 x 45	3.9	0.29	0.050	0.040	45	EYH07BC482H02K	MALIEYH07BC482H02K
	8200	35 x 35	3.9	0.31	0.055	0.045	48	EYH07CA482H02K	MALIEYH07CA482H02K
	10 000	30 x 50	4.4	0.30	0.040	0.035	50	EYH07BD510H02K	MALIEYH07BD510H02K
	10 000	35 x 40	4.4	0.31	0.045	0.035	55	EYH07CB510H02K	MALIEYH07CB510H02K
	12 000	35 x 45	4.8	0.31	0.035	0.030	62	EYH07CC512H02K	MALIEYH07CC512H02K
15 000	35 x 50	5.2	0.32	0.030	< 0.030	68	EYH07CD515H02K	MALIEYH07CD515H02K	
15 000	40 x 40	5.1	0.31	0.030	< 0.030	72	EYH07DB515H02K	MALIEYH07DB515H02K	
18 000	40 x 50	5.8	0.31	< 0.030	< 0.030	89	EYH07DD518H02K	MALIEYH07DD518H02K	
22 000	40 x 50	6.0	0.37	< 0.030	< 0.030	89	EYH07DD522H02K	MALIEYH07DD522H02K	
27 000	40 x 60	6.6	0.37	< 0.030	< 0.030	107	EYH07DF527H02K	MALIEYH07DF527H02K	
63	1200	22 x 25	1.4	0.21	0.235	0.185	14	EYH07LU412J02K	MALIEYH07LU412J02K
	1500	22 x 30	1.5	0.21	0.190	0.150	16	EYH07LV415J02K	MALIEYH07LV415J02K
	1500	25 x 25	1.5	0.21	0.190	0.150	18	EYH07AU415U02K	MALIEYH07AU415U02K
	1800	22 x 30	1.6	0.21	0.155	0.125	16	EYH07LV418J02K	MALIEYH07LV418J02K
	1800	25 x 25	1.7	0.21	0.155	0.125	18	EYH07AU418U02K	MALIEYH07AU418U02K
	2200	22 x 35	1.9	0.21	0.130	0.105	19	EYH07LA422J02K	MALIEYH07LA422J02K
	2200	25 x 30	1.9	0.21	0.130	0.105	21	EYH07AV422J02K	MALIEYH07AV422J02K
	2700	22 x 40	2.2	0.21	0.105	0.085	22	EYH07LB427J02K	MALIEYH07LB427J02K
	2700	25 x 30	2.1	0.21	0.105	0.085	21	EYH07AV427J02K	MALIEYH07AV427J02K
	2700	30 x 25	2.2	0.22	0.110	0.090	25	EYH07BU427U02K	MALIEYH07BU427U02K
	3300	22 x 50	2.5	0.21	0.085	0.070	27	EYH07LD433J02K	MALIEYH07LD433J02K
	3300	25 x 40	2.5	0.21	0.085	0.070	28	EYH07AB433J02K	MALIEYH07AB433J02K
	3300	30 x 30	2.5	0.22	0.090	0.070	30	EYH07BV433J02K	MALIEYH07BV433J02K
	3900	25 x 45	2.9	0.21	0.075	0.060	31	EYH07AC439J02K	MALIEYH07AC439J02K
	3900	30 x 35	2.8	0.22	0.075	0.060	35	EYH07BA439J02K	MALIEYH07BA439J02K
	4700	25 x 40	3.2	0.21	0.060	0.050	28	EYH07AB447J02K	MALIEYH07AB447J02K
	4700	30 x 40	3.2	0.22	0.065	0.050	40	EYH07BB447J02K	MALIEYH07BB447J02K
	4700	35 x 30	3.1	0.24	0.070	0.055	41	EYH07CV447J02K	MALIEYH07CV447J02K
	5600	30 x 45	3.5	0.22	0.055	0.045	45	EYH07BC456J02K	MALIEYH07BC456J02K
	5600	35 x 35	3.5	0.24	0.060	0.045	48	EYH07CA456J02K	MALIEYH07CA456J02K
6800	30 x 50	3.9	0.22	0.045	0.035	50	EYH07BD468J02K	MALIEYH07BD468J02K	
6800	35 x 40	3.9	0.24	0.050	0.040	55	EYH07CB468J02K	MALIEYH07CB468J02K	
8200	35 x 45	4.2	0.24	0.040	0.035	62	EYH07CC482J02K	MALIEYH07CC482J02K	
10 000	35 x 50	4.7	0.24	0.035	0.030	68	EYH07CD510J02K	MALIEYH07CD510J02K	
10 000	40 x 40	4.6	0.28	0.040	0.030	72	EYH07DB510J02K	MALIEYH07DB510J02K	



ELECTRICAL DATA AND ORDERING INFORMATION									
U _R (V)	C _R 120 Hz (µF)	NOMINAL CASE SIZE Ø D x L (mm)	I _R 120 Hz 105 °C (A)	TAN δ 120 Hz MAX.	ESR 120 Hz MAX. (Ω)	Z 10 kHz MAX. (Ω)	WEIGHT (g)	CATALOG NUMBER	SAP MATERIAL
100	820	22 x 30	1.5	0.17	0.275	0.190	16	EYH07LV382L02K	MALIEYH07LV382L02K
	820	25 x 25	1.5	0.17	0.275	0.190	18	EYH07AU382L02K	MALIEYH07AU382L02K
	1000	22 x 35	1.7	0.17	0.230	0.160	19	EYH07LA410L02K	MALIEYH07LA410L02K
	1000	25 x 30	1.8	0.17	0.230	0.160	21	EYH07AV410L02K	MALIEYH07AV410L02K
	1200	22 x 40	1.9	0.17	0.190	0.130	22	EYH07LB412L02K	MALIEYH07LB412L02K
	1200	25 x 35	1.9	0.17	0.190	0.130	25	EYH07AA412L02K	MALIEYH07AA412L02K
	1200	30 x 25	1.9	0.17	0.190	0.130	25	EYH07BU412L02K	MALIEYH07BU412L02K
	1500	22 x 45	2.2	0.17	0.155	0.105	24	EYH07LC415L02K	MALIEYH07LC415L02K
	1500	25 x 40	2.3	0.17	0.155	0.105	28	EYH07AB415L02K	MALIEYH07AB415L02K
	1500	30 x 30	2.2	0.17	0.155	0.105	30	EYH07BV415L02K	MALIEYH07BV415L02K
	1800	25 x 45	2.6	0.17	0.130	0.090	31	EYH07AC418L02K	MALIEYH07AC418L02K
	1800	30 x 35	2.6	0.17	0.130	0.090	35	EYH07BA418L02K	MALIEYH07BA418L02K
	2200	25 x 50	2.9	0.17	0.105	0.075	35	EYH07AD422L02K	MALIEYH07AD422L02K
	2200	30 x 40	2.8	0.17	0.105	0.075	40	EYH07BB422L02K	MALIEYH07BB422L02K
	2200	35 x 30	2.8	0.18	0.110	0.075	41	EYH07CV422L02K	MALIEYH07CV422L02K
	2700	30 x 45	3.3	0.17	0.085	0.060	45	EYH07BC427L02K	MALIEYH07BC427L02K
	2700	35 x 35	3.2	0.18	0.090	0.065	48	EYH07CA427L02K	MALIEYH07CA427L02K
	3300	30 x 50	3.6	0.17	0.070	0.050	50	EYH07BD433L02K	MALIEYH07BD433L02K
	3300	35 x 40	3.6	0.18	0.075	0.050	55	EYH07CB433L02K	MALIEYH07CB433L02K
	3900	35 x 45	4.0	0.18	0.065	0.045	62	EYH07CC439L02K	MALIEYH07CC439L02K
4700	35 x 50	4.4	0.18	0.055	0.040	68	EYH07CD447L02K	MALIEYH07CD447L02K	
4700	40 x 40	4.3	0.19	0.055	0.040	72	EYH07DB447L02K	MALIEYH07DB447L02K	
5600	40 x 50	4.9	0.19	0.045	0.035	89	EYH07DD456L02K	MALIEYH07DD456L02K	
6800	40 x 50	5.2	0.20	0.040	0.030	89	EYH07DD468L02K	MALIEYH07DD468L02K	

LEAKAGE CURRENT

Formula for the calculation of the maximum leakage current I_L for acceptance tests. Testing conditions: U_R, 20 °C, 5 minutes.

$$I_{L(300s)}/\mu A \leq 3 \times \sqrt{(C_R/\mu F) \times (U_R/V)}$$

LIFETIME TABLE U_R ≤ 100 V

INTERRELATION BETWEEN ALTERNATING CURRENT, AMBIENT TEMPERATURE AND LIFETIME																				
I/I _R (FREQUENCY DEPENDENT)							LIFETIME MULTIPLIER L (depending on I/I _R and T _a)													
FREQUENCY [Hz]							AMBIENT TEMPERATURE T _a [°C]													
50	100	120	250	500	1000	>2500	40	45	50	55	60	65	70	75	80	85	90	95	100	105
0	0	0	0	0	0	0	200	127	81	53	35	23	16	11	7.4	5.1	3.6	2.6	1.84	1.33
0.17	0.20	0.20	0.21	0.22	0.23	0.23	194	123	79	51	34	23	15	10	7.2	5.0	3.5	2.5	1.81	1.31
0.35	0.39	0.40	0.42	0.44	0.46	0.47	177	113	74	48	32	21	14	9.9	6.9	4.8	3.4	2.4	1.73	1.25
0.52	0.59	0.60	0.64	0.66	0.68	0.70	157	101	66	43	29	19	13	9.1	6.3	4.5	3.2	2.3	1.63	1.18
0.70	0.78	0.80	0.85	0.88	0.91	0.94	132	86	57	38	25	17	12	8.2	5.8	4.1	2.9	2.1	1.50	1.09
0.87	0.98	1.00	1.06	1.10	1.14	1.17	108	72	48	32	22	15	10	7.2	5.1	3.6	2.6	1.9	1.36	1.00
1.04	1.17	1.20	1.27	1.32	1.37	1.40	86	58	39	27	18	13	8.9	6.2	4.4	3.2	2.3	1.6	1.20	
1.22	1.37	1.40	1.48	1.54	1.60	1.64	67	46	31	22	15	11	7.4	5.3	3.8	2.7	2.0	1.4	1.05	
1.39	1.56	1.60	1.70	1.76	1.82	1.87	51	35	25	17	12	8.6	6.1	4.4	3.2	2.3	1.7	1.2		
1.57	1.76	1.80	1.91	1.98	2.05	2.11	38	27	19	14	9.7	6.9	5.0	3.6	2.6	1.9	1.4	1.0		
1.74	1.95	2.00	2.12	2.20	2.28	2.34	28	20	15	10	7.6	5.5	4.0	2.9	2.1	1.6	1.2			
1.91	2.15	2.20	2.33	2.42	2.51	2.57	20	15	11	7.9	5.8	4.3	3.1	2.3	1.7	1.3				
2.09	2.34	2.40	2.54	2.64	2.74	2.81	15	11	8.1	6.0	4.4	3.3	2.4	1.8	1.4	1.0				
2.26	2.54	2.60	2.76	2.86	2.96	3.04	11	7.9	5.9	4.4	3.3	2.5	1.9	1.4	1.1					
2.44	2.73	2.80	2.97	3.08	3.19	3.28	7.5	5.7	4.3	3.3	2.5	1.9	1.4	1.1						
2.61	2.93	3.00	3.18	3.30	3.42	3.51	5.3	4.1	3.1	2.4	1.8	1.4	1.1							
2.78	3.12	3.20	3.39	3.52	3.65	3.74	3.7	2.9	2.2	1.7	1.3	1.0								
2.96	3.32	3.40	3.60	3.74	3.88	3.98	2.5	2.0	1.6	1.2	1.0									
3.13	3.51	3.60	3.82	3.96	4.10	4.21	1.8	1.4	1.1											
3.31	3.71	3.80	4.03	4.18	4.33	4.45	1.2	1.0												

I_R Rated ripple current (120 Hz, rms) [A] at upper category temperature T_{UC} taken from data sheet.

I User ripple current [A].

T_a Ambient temperature of capacitor [°C].

L Lifetime multiplier.

Regard L as a function of ambient temperature (x-axis) and of current (y-axis); use the current-axis according to the frequency



Disclaimer

All product specifications and data are subject to change without notice.

Vishay Intertechnology, Inc., its affiliates, agents, and employees, and all persons acting on its or their behalf (collectively, "Vishay"), disclaim any and all liability for any errors, inaccuracies or incompleteness contained herein or in any other disclosure relating to any product.

Vishay disclaims any and all liability arising out of the use or application of any product described herein or of any information provided herein to the maximum extent permitted by law. The product specifications do not expand or otherwise modify Vishay's terms and conditions of purchase, including but not limited to the warranty expressed therein, which apply to these products.

No license, express or implied, by estoppel or otherwise, to any intellectual property rights is granted by this document or by any conduct of Vishay.

The products shown herein are not designed for use in medical, life-saving, or life-sustaining applications unless otherwise expressly indicated. Customers using or selling Vishay products not expressly indicated for use in such applications do so entirely at their own risk and agree to fully indemnify Vishay for any damages arising or resulting from such use or sale. Please contact authorized Vishay personnel to obtain written terms and conditions regarding products designed for such applications.

Product names and markings noted herein may be trademarks of their respective owners.