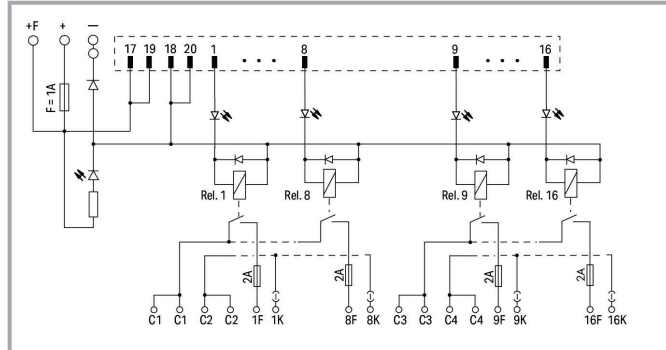


## Data sheet | Item number: 704-5094

Interface module for system wiring; Pluggable connector per DIN 41651; Male connector; 20-pole; 16-channel relay output; 1 make contact; with disconnect terminal block and fuse; without relay; in mounting carrier



[www.wago.com/704-5094](http://www.wago.com/704-5094)



## Data

### Electrical data

Inputs/outputs	16-channel relay output
Nominal operating voltage	DC 24 V
Operating voltage range	±10 %
Number of make/switch-on contacts	1
Limiting continuous current	2 A
Switching voltage (max.)	AC 250 V; DC 48 V
Switching power (resistive) (max.)	AC 500 VA; DC 50 W
Status indicator	Green LED (channel) Yellow LED (power supply)
Internal fuse	Supply: 1 A; Relay output: 2 A
WAGO Basic Relay	788-154
Specialty functions	with disconnect/test terminal blocks with output fuse without basic relay

### Safety and protection

Rated voltage	50 V
---------------	------

Subject to changes. Please also observe the further product documentation!

WAGO GmbH & Co. KG  
Hansastr. 27  
32423 Minden  
Phone: +49571 887-0 | Fax: +49571 887-169  
Email: [info.de@wago.com](mailto:info.de@wago.com) | Web: [www.wago.com](http://www.wago.com)

Do you have any questions about our products?  
We are always happy to take your call at +49 (571) 887-44222.



Rated surge voltage	0.8 kV
Pollution degree	2
Dielectric strength, control/load circuit (AC, 1 min)	4 kVrms
Dielectric strength, load/load circuit (AC, 1 min)	1 kVrms

### Connection data

#### Compatible PLC Modules

Siemens S7-300  
 Siemens S7-400  
 Siemens S7-1500  
 GE Fanuc 9030  
 GE Fanuc RX3i  
 Schneider Modicon TM3  
 Schneider TSX  
 Schneider Twido  
 Schneider Modicon M340  
 Schneider Modicon Quantum  
 Rockwell Compact Logix  
 Rockwell Control Logix  
 WAGO I/O System 753  
 WAGO I/O System 750  
 Omron CJ1W

#### Compatible PLC I/O Card Types

6ES7 313-5BE01-0AB0  
 6ES7 313-5BG04-0AB0  
 6ES7 313-6BE01-0AB0  
 6ES7 313-6BF03-0AB0  
 6ES7 313-6CE01-0AB0  
 6ES7 313-6CF03-0AB0  
 6ES7 314-6BF01-0AB0  
 6ES7 314-6BG03-0AB0  
 6ES7 314-6CF01-0AB0  
 6ES7 314-6CG03-0AB0  
 6ES7 322-1BH01-0AA0  
 6ES7 322-1BH10-0AA0  
 6ES7 322-1BH80-0AA0  
 6ES7 322-1BL00-0AA0  
 6ES7 322-1BP00-0AA0  
 6ES7 322-1EH01-0AA0  
 6ES7 322-8BH01/8BH10-0AB0  
 6ES7 323-1BL00-0AA0  
 6ES7 422-1BL00-0AA0  
 6ES7 511-1CK00-0AB0  
 6ES7 512-1CK00-0AB0  
 6ES7 522-1BH00-0AB0  
 6ES7 522-1BH01-0AB0  
 6ES7 522-1BH10-0AA0  
 6ES7 522-1BL00-0AB0

Subject to changes. Please also observe the further product documentation!

WAGO GmbH & Co. KG

Hansastr. 27

32423 Minden

Phone: +49571 887-0 | Fax: +49571 887-169

Email: [info.de@wago.com](mailto:info.de@wago.com) | Web: [www.wago.com](http://www.wago.com)

Do you have any questions about our products?

We are always happy to take your call at +49 (571) 887-44222.



6ES7 522-1BL01-0AB0  
 6ES7 522-1BL10-0AA0  
 6ES7 523-1BL00-0AA0  
 IC693 MDL740  
 IC693 MDL742  
 IC693 MDL753  
 IC694 MDL753  
 TM3 DQ16T(G)  
 TM3 DQ16TK  
 TM3 DQ32TK  
 TSX DSZ 32T2  
 TSX DMZ 28DT  
 TSX DMZ 28DTK  
 TSX DMZ 64DTK  
 TSX DSY 16T2  
 TSX DSY 32T2K  
 TSX DSY 64T2K  
 TSX DMY 28FK  
 TSX DMY 28RFK  
 TM2 DDO 16TK  
 TM2 DDO 32TK  
 BMX DDO 1602  
 BMX DDO 3202K  
 BMX DDO 6402K  
 BMX DDM 3202K  
 140 DDO 353 00  
 140 DDO 353 01  
 140 DDO 364 00  
 140 DVO 853 00  
 1769 - OB16  
 1769 - OB16P  
 1769 - OB32  
 1769 - OB32T  
 1756 - OB16E  
 1756 - OB32  
 753-530 (x2)  
 750-1500  
 CJ1W-OD212  
 CJ1W-OD232  
 CJ1W-OD262  
 CJ1W-MD232

Connection type (1)	System
Pole number 1	20
Pluggable connectors	DIN 41651 male connector
Mating direction	vertical
Connection type 2	Field
Pole number 2	32

Subject to changes. Please also observe the further product documentation!

WAGO GmbH & Co. KG  
 Hansastr. 27  
 32423 Minden  
 Phone: +49571 887-0 | Fax: +49571 887-169  
 Email: [info.de@wago.com](mailto:info.de@wago.com) | Web: [www.wago.com](http://www.wago.com)

Do you have any questions about our products?  
 We are always happy to take your call at +49 (571) 887-44222.



Design 2	PCB terminal blocks
WAGO Connector 2	WAGO 742 Series
Solid conductor 2	0.08 ... 2.5 mm <sup>2</sup> / 28 ... 12 AWG
Fine-stranded conductor 2	0.08 ... 2.5 mm <sup>2</sup> / 28 ... 12 AWG
Strip length 2	8 ... 9 mm / 0.31 ... 0.35 inch
Connection type (3)	Field
Pole number 3	8
Design 3	PCB terminal blocks (double-deck)
WAGO Connector 3	WAGO 736 Series
Solid conductor 3	0.08 ... 2.5 mm <sup>2</sup> / 28 ... 12 AWG
Fine-stranded conductor (3)	0.08 ... 2.5 mm <sup>2</sup> / 28 ... 12 AWG
Strip length 3	5 ... 6 mm / 0.2 ... 0.24 inch
Connection type (4)	Power supply
Pole number (4)	4
Design (4)	PCB terminal blocks
Connection technology 4	CAGE CLAMP®
WAGO Connector (4)	WAGO 236 Series
Solid conductor 4	0.08 ... 2.5 mm <sup>2</sup> / 28 ... 12 AWG
Fine-stranded conductor (4)	0.08 ... 2.5 mm <sup>2</sup> / 28 ... 12 AWG
Strip length (4)	5 ... 6 mm / 0.2 ... 0.24 inch

## Physical data

Width	240 mm / 9.449 inch
Height	105 mm / 4.134 inch
Depth from upper edge of DIN-rail	55 mm / 2.165 inch

## Mechanical data

Mounting type	DIN-35 rail
---------------	-------------

## Material data

Fire load	3.044 MJ
Weight	421.7 g

## Environmental requirements

Surrounding air temperature (operation)	-25 ... 50 °C
Surrounding air temperature (storage)	-40 ... 70 °C

Subject to changes. Please also observe the further product documentation!



Relative humidity 85% (non-condensing)

---

## Commercial data

PU (SPU)	1 Stück
Packaging type	box
Country of origin	DE
GTIN	4055144025538
Customs tariff number	85369010000

---

## Downloads

### Documentation

#### System Description

WAGO System Wiring, Selection Guide	pdf	Download
This guide will help you select the appropriate interface modules and system cables for the controller you are using.	545.9 kB	

---

## Environmental Product Compliance

### Compliance Search

Environmental Product Compliance 704-5094	URL	Download
Interface module for system wiring; Pluggable connector per DIN 41651; Male connector; 20-pole; 16-channel relay output; 1 make contact; with disconnect terminal block and fuse; without relay; in mounting carrier		

---

## Installation Notes

Subject to changes. Please also observe the further product documentation!