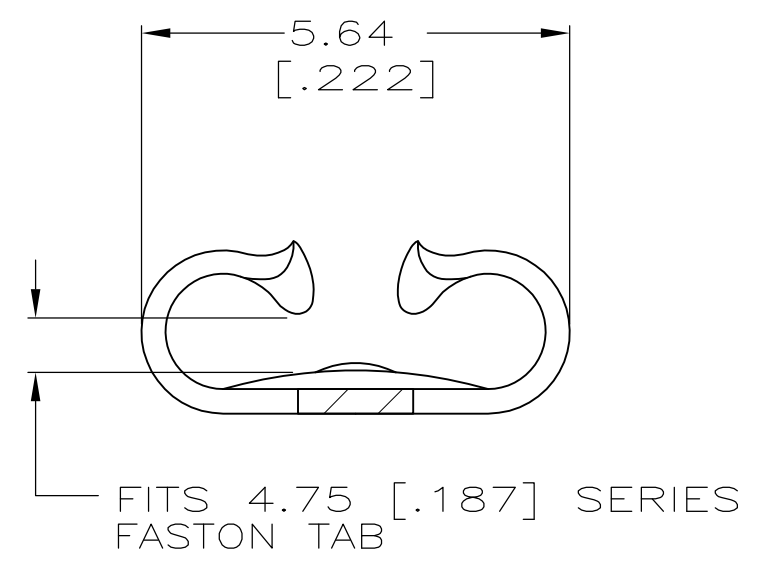
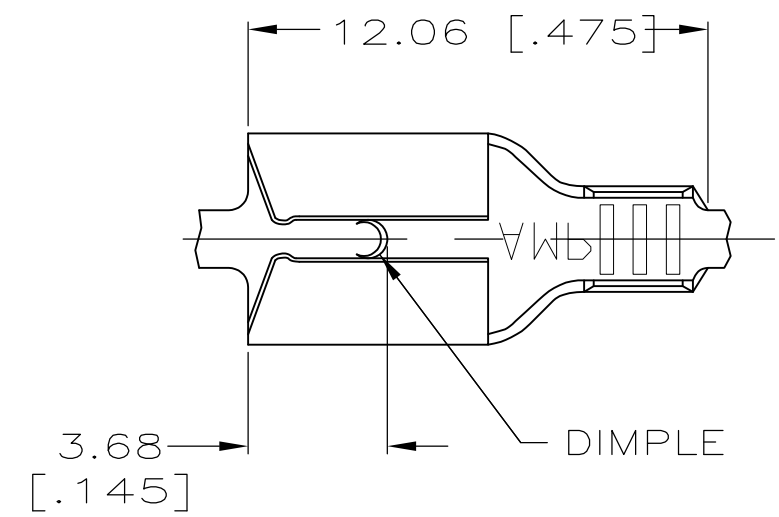


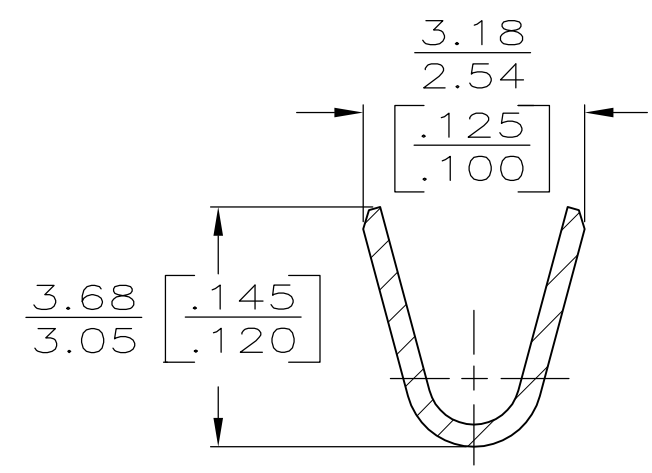
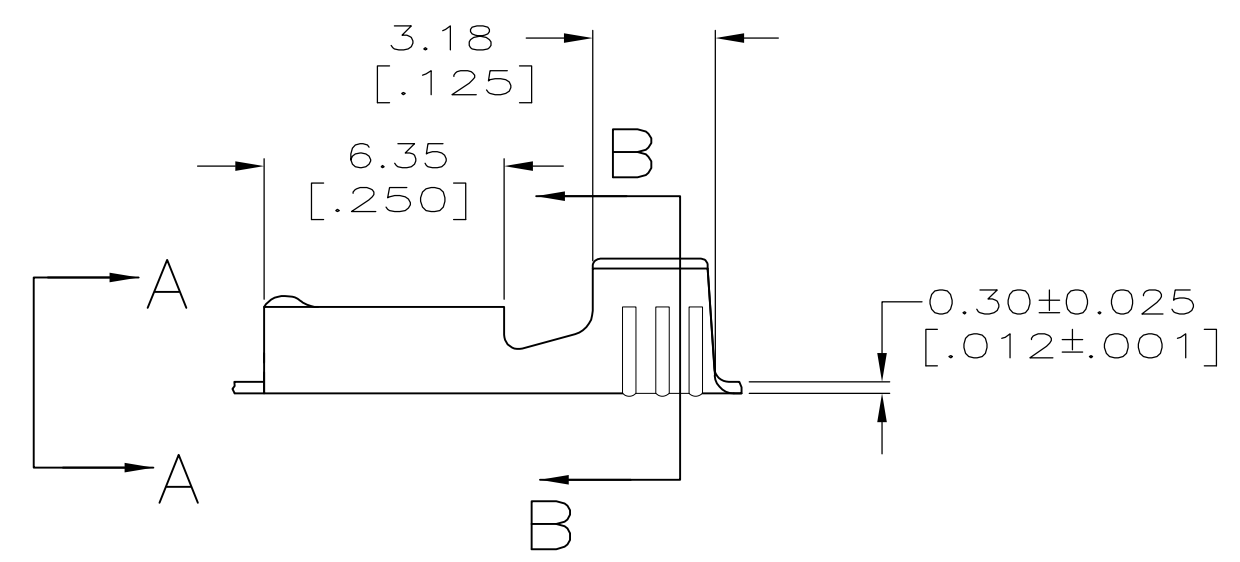
THIS DRAWING IS UNPUBLISHED. RELEASED FOR PUBLICATION  
 © COPYRIGHT - By - ALL RIGHTS RESERVED.

LOC	DIST	REVISIONS			
P	LTR	DESCRIPTION	DATE	DWN	APVD
AF	50				
	D	REVISED PER ECR-12-013459	28NOV2012	KH	PD



VIEW A-A  
SCALE 10:1

- 1 CONTINUOUS STRIP ON REELS
- 2 TIN
- 3 MATING TAB THK TO BE 0.81±0.025 [.032±.001].
- 4 WIRE SIZE IS [#20-#16] AWG.



SECTION B-B  
SCALE 10:1

61969-1  
PART NUMBER

THIS DRAWING IS A CONTROLLED DOCUMENT.		DWN	JR RUTH	1/24/97	<b>STE</b> TE Connectivity				
DIMENSIONS: mm [INCHES]		CHK	P FORTNEY	1/24/97				NAME RECEPTACLE, FASTON,™ 4.75 [.187] SERIES	
TOLERANCES UNLESS OTHERWISE SPECIFIED:		APVD	P DESANTIS	1/24/97	PRODUCT SPEC	SIZE	CAGE CODE		
0 PLC ± -		APPLICATION SPEC			A300779			C-61969	
1 PLC ± -		WEIGHT			CUSTOMER DRAWING			SCALE	5:1
2 PLC ± 0.38 [.015]		MATERIAL			BRASS			SHEET	1 OF 1
3 PLC ± -		FINISH			2			REV	D
4 PLC ± -									
ANGLES ± -									