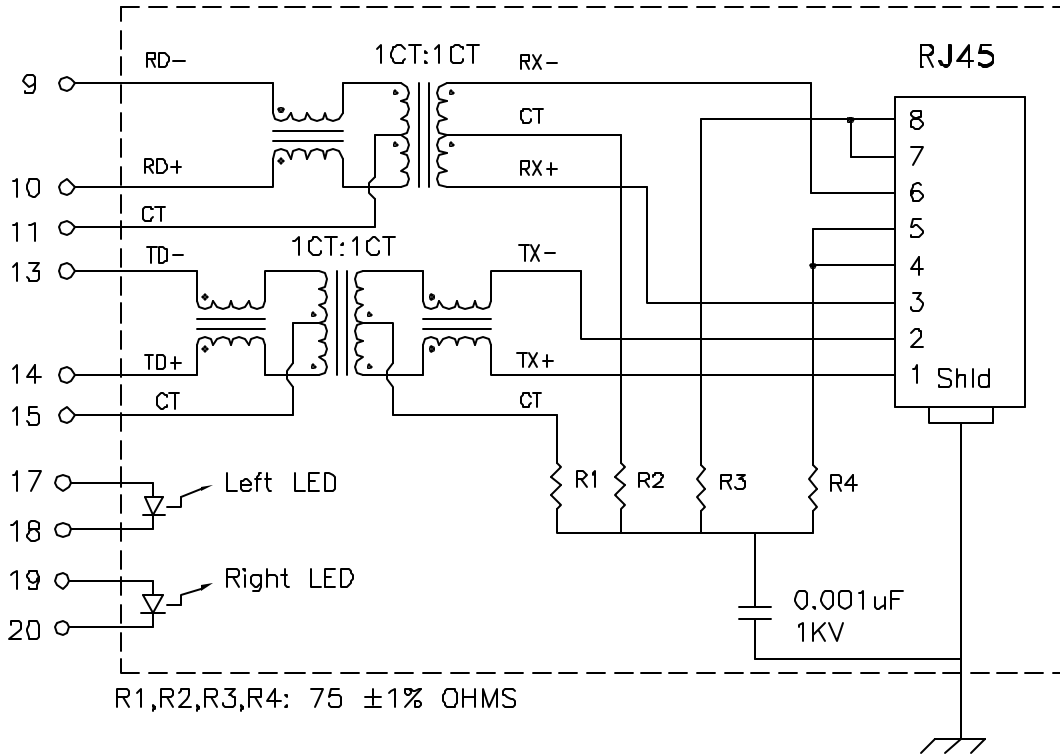


# Schematic:



## Electrical Specifications: @25°C

Isolation Voltage: 1500Vrms(INPUT to OUTPUT), 500Vrms(TD to RD)

UTP SIDE OCL: 350uH Min @100KHz 100mV 8mADC

Rise Time (10-90%): 2.5ns Typical

Insertion Loss (300KHz-100MHz): -1.1dB Maximum

Insertion Loss (100MHz-125MHz): -1.5dB Maximum

Return Loss: -18dB Min. @30MHz

-10dB Min. @80MHz

Crosstalk:

100KHz-60MHz -40dB Typical

60MHz-100MHz -38dB Typical

Common Mode to Differential Mode Rejection:

100KHz-60MHz -45dB Typ (Tx) / -40dB Typ (Rx)

60MHz-100MHz -40dB Typ (Tx) / -35dB Typ (Rx)

### Notes:

1. Solderability: Leads shall meet MIL-STD-202G, Method 208H for solderability.
2. Flammability: UL94V-0
3. ASTM oxygen Index: > 28%
4. Insulation System: Class F 155°C. UL file E151556
5. Operating Temperature Range: All listed parameters are to be within tolerance from -40°C to +85°C
6. Storage Temperature Range: -55°C to +125°C
7. Aqueous wash compatible
8. Electrical and mechanical specifications 100% tested
9. RoHS Compliant Component

DOC. REV A/10

Complete the Combo P/N as follows:

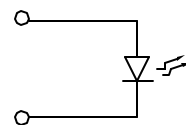
Replace 'x' & 'u' in the part number with one of the LED color letters:

Y=Yellow  
G=Green  
A=Amber  
R=Red

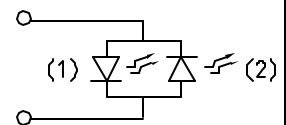
'x' = Left LED Color  
'u' = Right LED Color

C=Green(1)/Amber(2) Bicolor  
D=Amber(1)/Green(2) Bicolor  
M=Green(1)/Yellow(2) Bicolor  
N=Yellow(1)/Green(2) Bicolor  
P=Red(1)/Green(2) Bicolor  
Q=Green(1)/Red(2) Bicolor

Single Color LED:



Bi-Color LED:



**XFMRs Inc.**  
www.XFMRS.com

Title: **Stacked USB COMBO**

UNLESS OTHERWISE SPECIFIED  
TOLERANCES:  
.xxx ±0.010

P/N: XFATM2-USBxu-4

REV. A

Dimensions in Inch

DWN.

Juan Mao

Sep-18-07

CHK.

YK Liao

Sep-18-07

APP.

MS

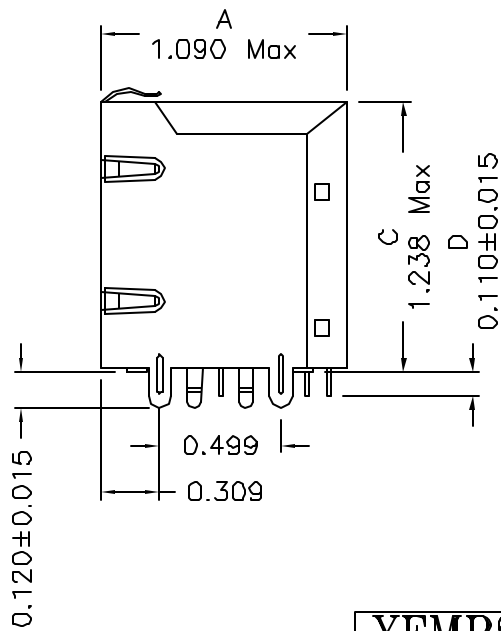
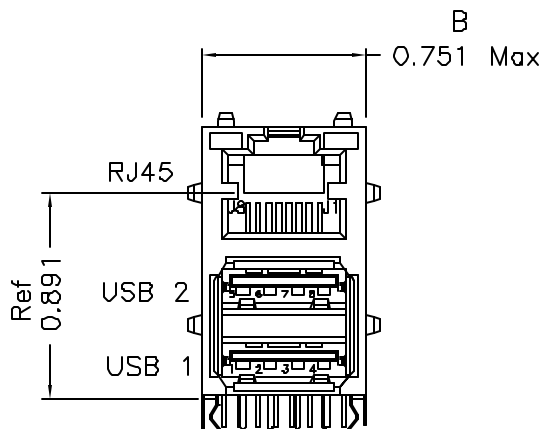
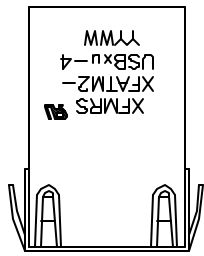
Sep-18-07

**PROPRIETARY:**

Document is the property of XFMRs Group & is not allowed to be duplicated without authorization.

SHEET 1 OF 3

### 3. Mechanical Dimensions:



DOC. REV. A/10

**XFMRS Inc.**  
www.XFMRS.com

Title: Mechanical Dimensions  
For STACKED USB COMBO

UNLESS OTHERWISE SPECIFIED  
TOLERANCES:  
.xxx ±0.010  
Dimensions in Inch

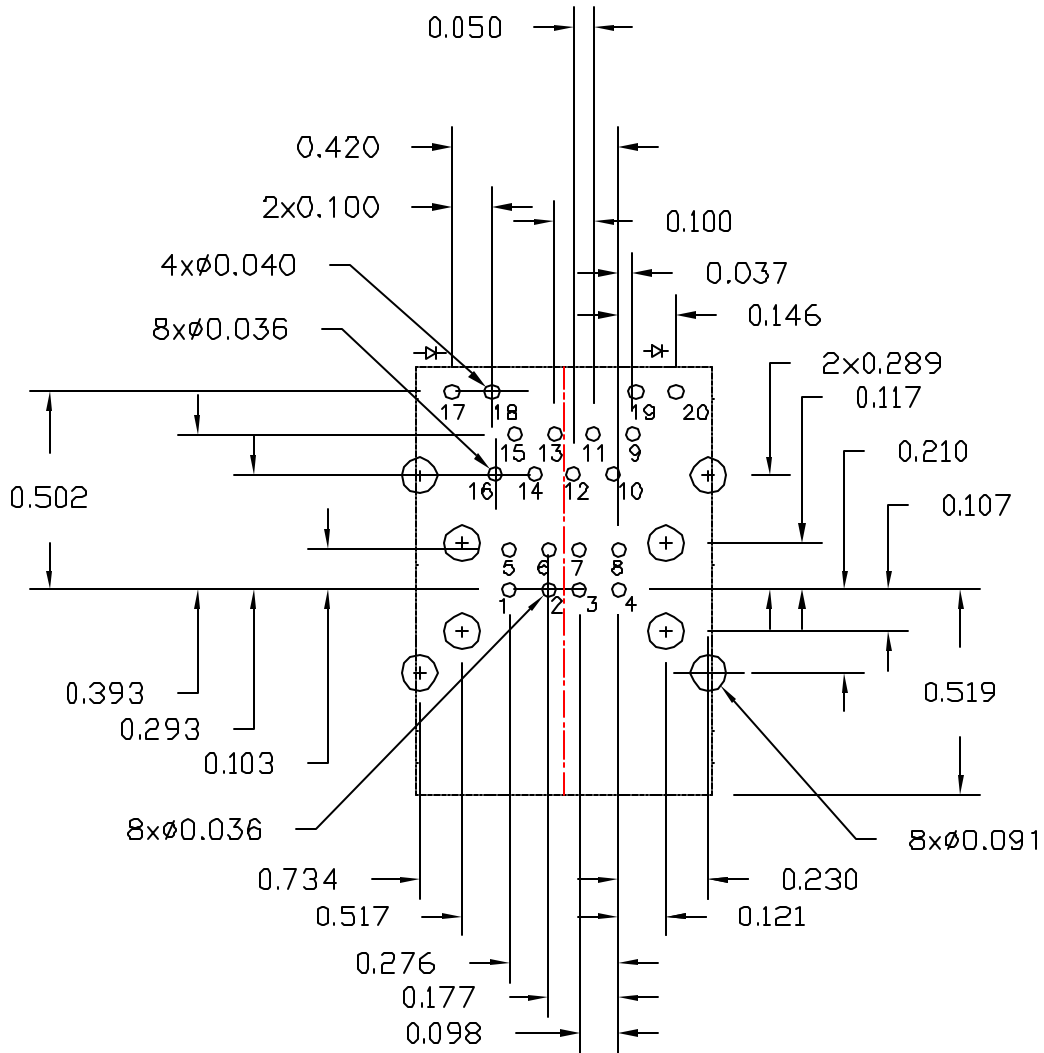
P/N: XFATM2-USBxu-4	REV. A
DWN. Juan Mao	Sep-18-07
CHK. YK Liao	Sep-18-07
APP. MS	Sep-18-07

SHEET 2 OF 3

**PROPRIETARY:**

Document is the property of XFMRS Group & is not allowed to be duplicated without authorization.

3. Mechanical Dimensions (cont.):



SUGGESTED PC BOARD LAYOUT VIEW  
FROM COMPONENT SIDE

DOC. REV. A/10

<b>XFMRs Inc.</b> <a href="http://www.XFMRS.com">www.XFMRS.com</a>	Title: Mechanical Dimensions For STACKED USB COMBO		
	UNLESS OTHERWISE SPECIFIED TOLERANCES: .xxx ±0.010 Dimensions in Inch	P/N: XFATM2-USBxu-4	REV. A
SHEET 3 OF 3	DWN.	Juan Mao	Sep-18-07
	CHK.	YK Liao	Sep-18-07
	APP.	MS	Sep-18-07

**PROPRIETARY:**

Document is the property of XFMRs Group & is not allowed to be duplicated without authorization.