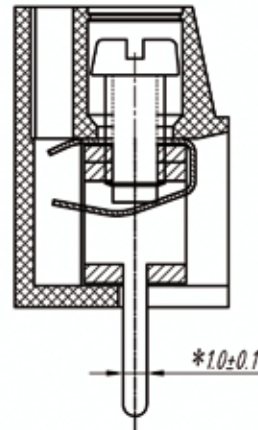
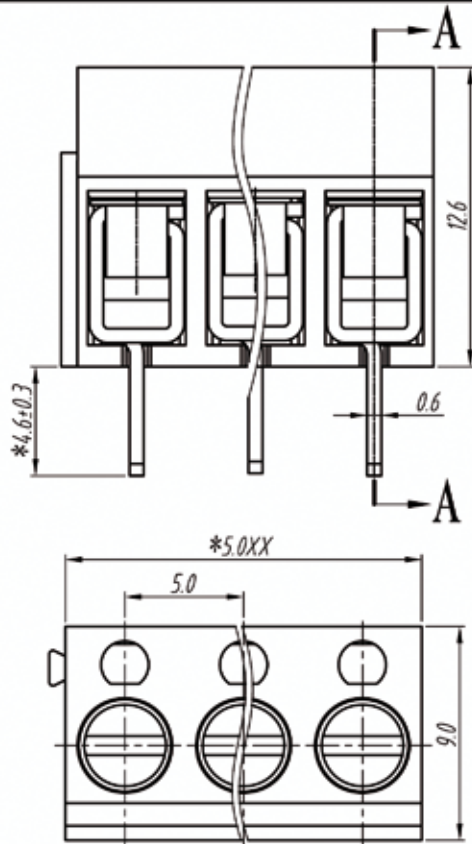


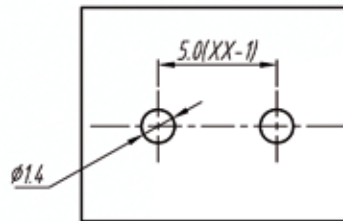
# euro-block

product specification



SECTION A-A

P.C.B.LAYOUT



## Electrical

Standard: UL-IEC  
 Rated voltage: 300V-450V  
 Rated current: 16A-20A  
 Wire range: 22-14AWG-2.5mm<sup>2</sup>  
 Withstanding voltage: AC2000V/1Min

## Mechanical

Torque: 0.4Nm (3.6Lb'in)  
 Temp.Range: -30°C~+120°C  
 Strip length: 4.5-5mm

## Dimensions

Pitch: 5.00mm (0.197")  
 Poles: 2p-xxp

## Material

Housing: PBT, UL94V-0  
 Screws: M2.5, steel, Zinc plated  
 Pin header: Brass, Tin plated  
 Wire guard: Phosphor bronze, Ni plated

TOLERANCES EXCEPT AS NOTED

variable range	linear dimension				fillet	chamfer	short angle sid			≡	-	□	//	⊥		
	to 6	over 6 to 30	over 30 to 120	over 120 to 480	all	to 6	to 10	to 10 to 50	to 50 to 120						to 5	to 30
tolerance	±0.1	±0.2	±0.3	±0.5	±0.2	±0.5	±1	1'	30'	20'	10'	0.5	0.025	0.06	0.12	0.4

UNITS	mm	SIZE	A4	SCALE	FIRST ANGLE PROJECTION	
<b>euro-block</b>						
					NAME	<b>MLR52-V</b>