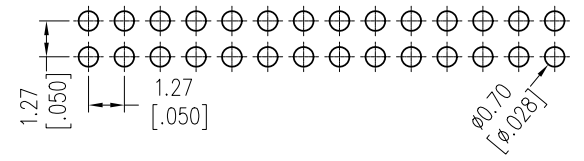
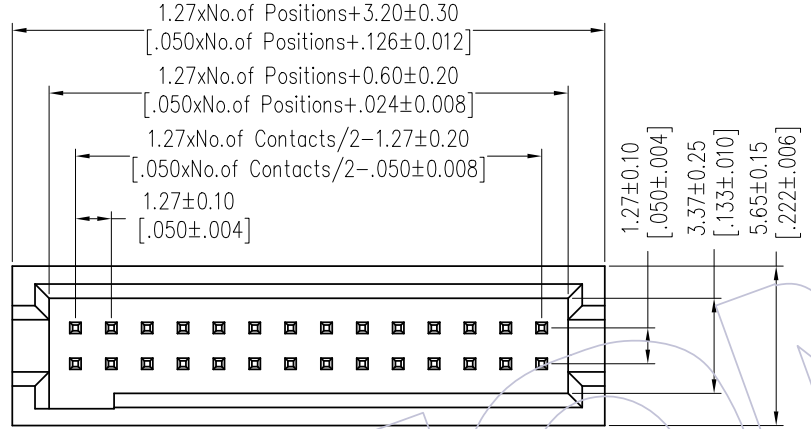


HSF

Recommended P.C.B Layout(Top Side)
(PCB BOARD TOLERANCE±0.05)

NOTES:
 Rated Current: 1.0AMP
 Contact Resistance: 20mΩ max
 Withstand Voltage: 500V AC/DC
 Insulation Resistance: 1000MΩ min
 Operation Temperature: -55℃ to +125℃

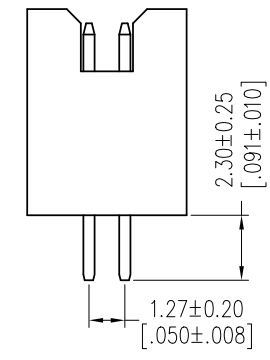
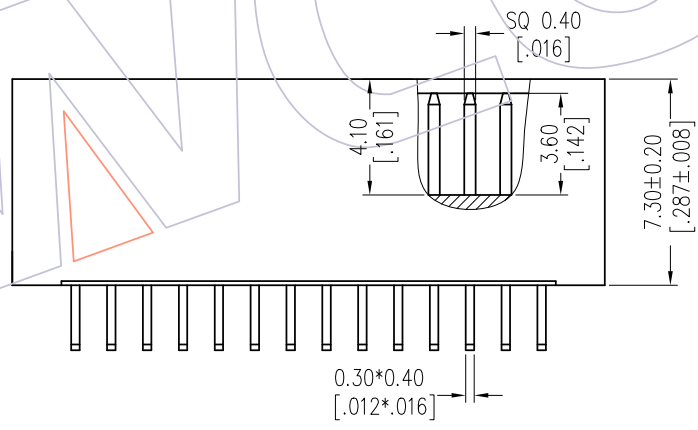
Contact Material: Phosphor Bronze
 Contact Plating: Au or Sn Over Ni
 Insulator Material: LCP+30%G.F UL94V-0




Ordering Information

3133-XX S G0 B K00 T 1

- No. of Pins: 10 34, 14 40, 16 44, 20 50, 24 60, 26 64, 30 80, 32 100
- Contact Plating: G0=Gold Flash
- Color Insulator: B=Black
- Packing: A=Tray, T=Tube



				OPERATION		DRAW		DATE		SCALE		FIT		PART NO.		 Http: www.wcon.com WCON-Dongguan WCON-Kunshan Tel: +86 769 85358920 Tel: +86 512 57468408 Fax: +86 769 85358915 Fax: +86 512 57468468 E-mail: sales@wcon.com E-mail: sales@wcon.com	
				X.X ±0.40		Ding		2018/07/11		UNIT		mm		3133-XXSG0BK00T1			
				X.XX ±0.25		CHECK		DATE		SIZE		A4		TITLE:			
				X.XXX ±0.15		APPROVE		DATE		SHEET		1/1		1.27 BOX HEADER SMT H=7.30			
A0	2018/07/11	NEW		Angle ± 3°						PROJ.		Customer NO.		G3KR030			
REV	DATE	MODIFICATION DESCRIPTION		DIM TOL		CHANGE											