

REV.	MODIFICATION	DATE	DRAW
A	INITIAL RELEASE	2015.05.12	Ann
B	ECN-2015029	2015.07.31	Ann
C	ECN-2016003	2016.05.31	Vincent

HALOGEN FREE LEAD FREE

TABLE 1

N	With "LTK"	90~150u"
A	Without "LTK"	50~150u"
0(NUMBER ZERO)	With "LTK"	50~150u"
X	TRADEMARK	CONTACT NICKEL FINISH

DIMENSION IN mm [Inch]	PROD. SPEC.
.X±0.35	SP-D4XXL1
TOLERANCE UNLESS OTHERWISE SPECIFIED	PKG. SPEC.
.XX±0.25	PK-D4XXX-XXX
.XXX±	APR. Tony 2016.05.31
	CHK. Leon 2016.05.31
	DRA. Vincent 2016.05.31

深圳市逸沛兴电子科技有限公司

TITLE: DDR4 9.2H STD CONNECTOR

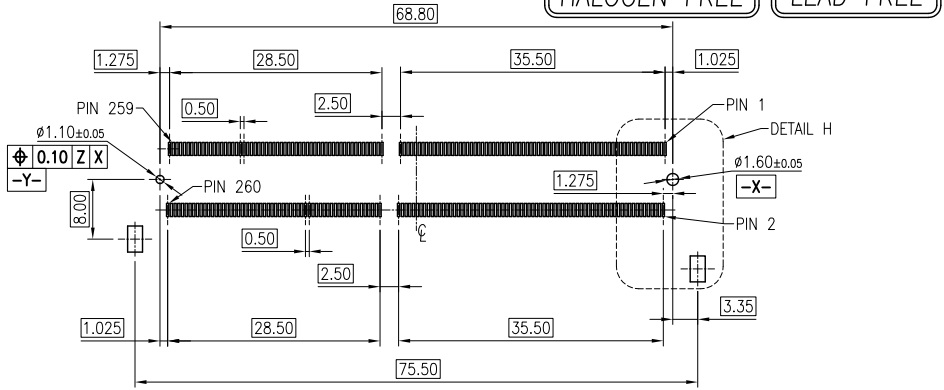
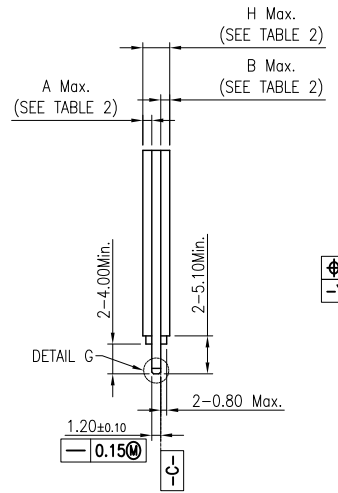
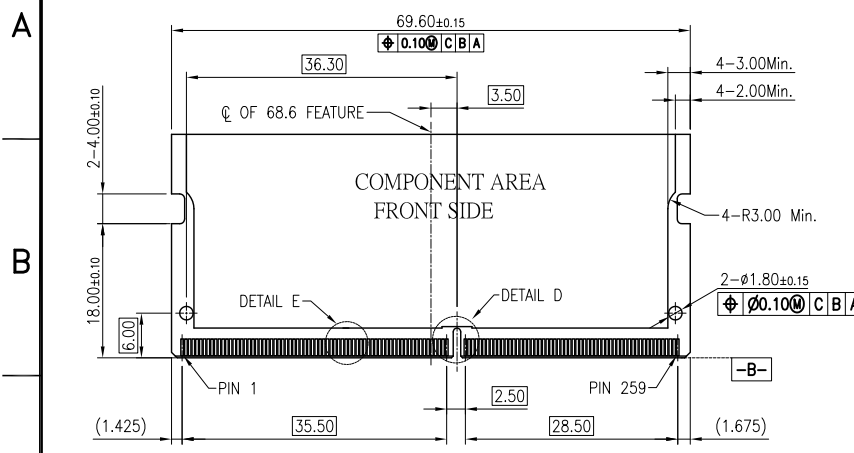
FILE NO. ARG-224 DWG NO. D4ASX-260XX-XX92

PROJ. CUSTOMER DRAWING

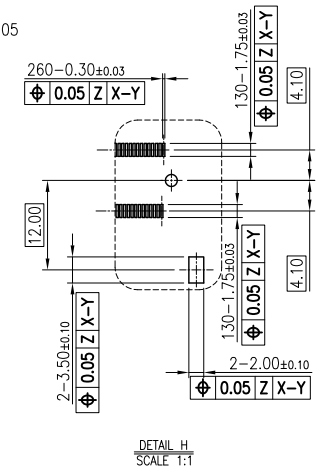
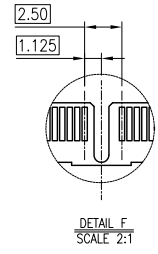
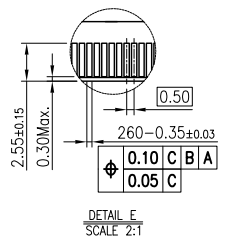
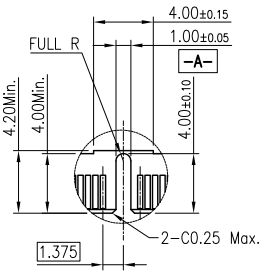
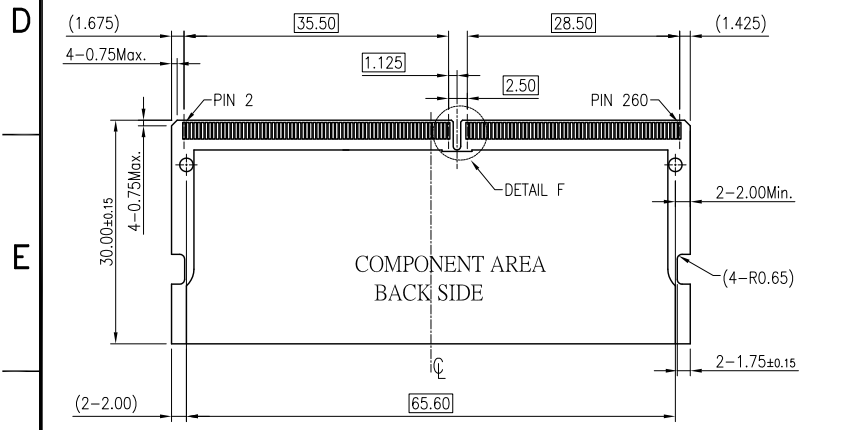
SIZE A4 SCALE 1:1 SHEET 1/2 REV. C C

REV.	MODIFICATION	DATE	DRAW
A	INITIAL RELEASE	2015.05.12	Ann
B	ECN-2015029	2015.07.31	Ann
C	ECN-2016003	2016.05.31	Vincent

HALOGEN FREE LEAD FREE



RECOMMEND P.C BOARD LAYOUT
 PCB THICKNESS 0.80mm Min.
 PCB LAYOUT GENERIC TOLERANCE:±0.05
 (-Z-) :PCB SURFACE



RECOMMEND MODULE CONFIGURATION

DIM. H	DIM. A	DIM. B	DIM. C	DIM. D
4.70	1.70	1.70	10.50	4.90
3.70	1.20	1.20	10.00	5.40

DIMENSION IN mm [Inch]	PROD. SPEC.
TOLERANCE UNLESS OTHERWISE SPECIFIED	SP-D4XXXL1
.X±0.35	X.*± 1*
.XX±0.25	X.*±
.XXX±	X.X.*±

深圳市逸沛兴电子科技有限公司	
TITLE: DDR4 9.2H STD CONNECTOR	
FILE NO. ARG-224	DWG NO. D4ASX-260XX-XX92
PROJ. CUSTOMER DRAWING	
SIZE A4 SCALE 1:1	SHEET 2/2 REV. C C