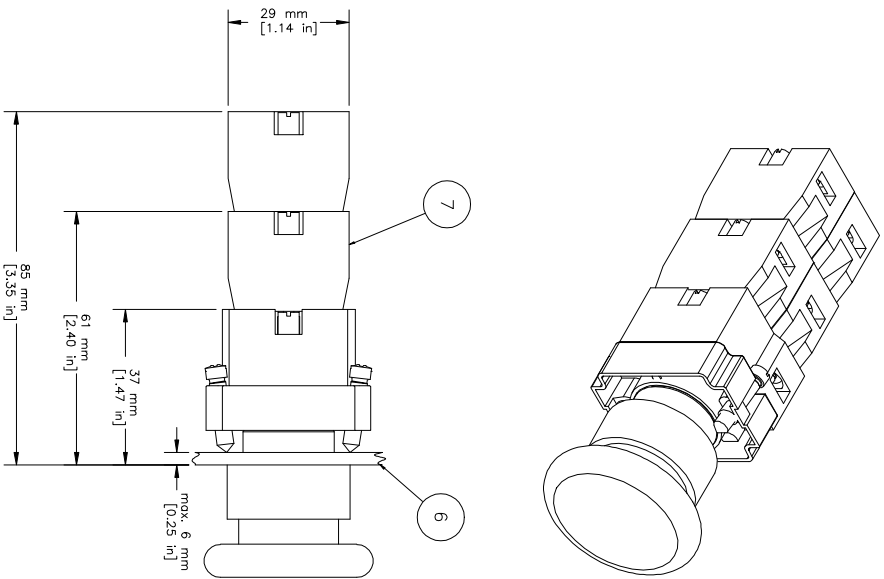


REVISIONS FOR DWG # 1PB-2ALMPPxB-xxx				
REV	CH. NO.	DESCRIPTION	DATE	REVISED BY
-	-	ORIGINAL DESIGN	10/26/07	Phil E.



xxx = Voltage	
012	= 12V AC/DC
024	= 24V AC/DC
048	= 48V AC/DC
110	= 110V AC/DC
230	= 230V AC

ITEM	DESCRIPTION	CAT. NO.	COLOR	MIN. QTY.	MAX. QTY.
1	LED Illuminated Mushroom Push-Pull Metal Operator (comes with mounting bracket, LED bulb and bulb holder)	2ALMPP1B-xxx 2ALMPP3LB-xxx 2ALMPP4LB-xxx 2ALMPP5LB-xxx 2ALMPP6LB-xxx 2ALMPP7LB-xxx 2ALMPP8LB-xxx	White Green Red Amber Blue Clear Yellow	1 1 1 1 1 1 1	1 1 1 1 1 1 1
2	Mounting Bracket	2BRK	-	1	1
3	LED Bulb	incl. in 2BRK	-	1	1
4	Mounting Bracket Screws	incl. in 2BRK	-	2	2
5	Bulb Holder	incl. in 2BRK	-	1	1
6	Panel	-	-	-	-
		S1	Green	1	4
		S2	Red	1	4
		S3	Green/Gray	1	4
		S4	Red/Gray	1	4
7	Switch Contacts				

This Drawing is the property of

Altech Corp.

35 Royal Road
Flemington NJ 08822-6000
(908) 806-9400 • Fax (908) 806-9490

- UNLESS OTHERWISE SPECIFIED
- ALL DIMENSIONS ARE IN MILLIMETERS
- THIRD ANGLE PROJECTION

TOLERANCE	
XX	±1 mm
XX X	±0.5 mm
XX.XX	±0.2 mm
ALL	- mm

AND IS A CONFIDENTIAL DISCLOSURE LENT WITHOUT CONSIDERATION OTHER THAN THE BORROWER'S AGREEMENT THAT IT SHALL NOT BE REPRODUCED, COPIED, LENT, OR DISPOSED OF DIRECTLY OR INDIRECTLY NOR USED FOR ANY PURPOSE OTHER THAN THAT FOR WHICH IT IS SPECIFICALLY FURNISHED.

TITLE: 22 mm LED Illuminated Push-Pull Metal Operator 2ALMYPB-xxx (xxx=Voltage; y=color)			
DRAWN BY:	10/26/07	DRAWING NO.:	1PB-2ALMPPxB-xxx
CHECKED BY:	10/26/07	SCALE:	-
RELEASED BY:	10/26/07	SHEET:	1 OF 1