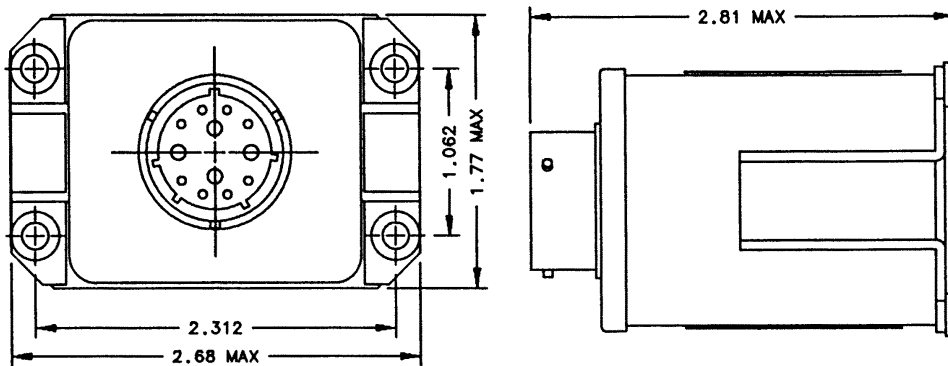


CH-27 2PDT, .75 Amp, 28 VDC

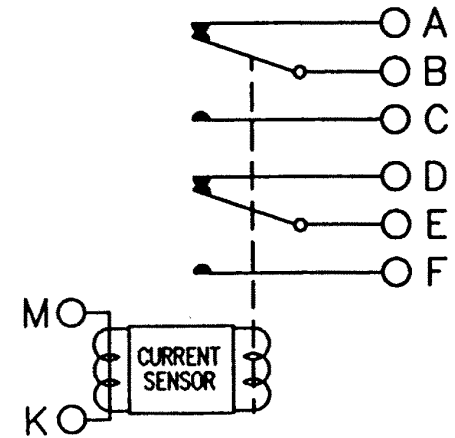
Features:

- 2PDT Main Contacts
- Current Operate
- Hermetically Sealed
- 28 VDC
- .75 Amp
- High Reliability
- Meets many requirements of MIL-R-6106
- Light Weight Construction



Dimensions for this product are expressed in inches. Multiply values by 25.4 for millimeters.

CONTACTOR CONFIGURATION



Notes:

PRODUCT SPECIFICATIONS	
Construction	Metal Case, Potted Assembly with Contacts Hermetically Sealed
Contacts: Rating	2PDT (Simultaneous Transfer Not Required) 1 Amp, 28 VDC, Lamp Load
Coil Data: Duty Cycle Pick-Up Drop-Out Continuous Operating Current In-Rush	Continuous 0.75 Amp Maximum, 400 Hz 0.10 Amp Minimum, 400 Hz 12 Amps Maximum, 400 Hz 60 Amps Maximum
Environmental Data: Operating Temperature Vibration Weight Maximum	-55°C to +71°C 20 G to 2000 Hz 7 Oz.
Minimum Operating Cycles	50,000

For factory-direct application assistance, contact the HARTMAN product team at (419) 521-9500, Fax (419) 526-2749.

© 2004 by Tyco Electronics Corporation. All Rights Reserved. HARTMAN and TYCO are trademarks.