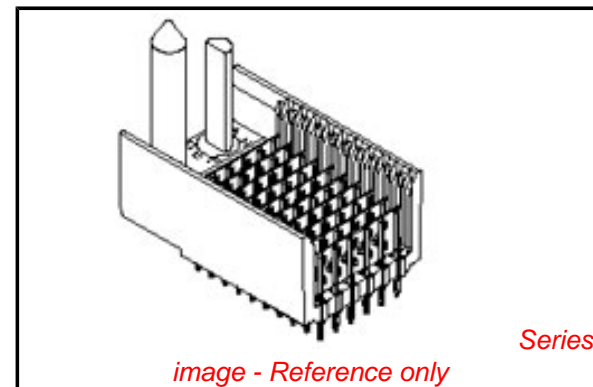


PLEASE CHECK WWW.MOLEX.COM FOR LATEST PART INFORMATION

Part Number: [0761368501](#)
Status: **Active**
Overview: [vhdm_h](#)
Description: 2.00mm (.079") Pitch VHDM® H Board-to-Board Backplane Header, Vertical, 8-Row, Guide Pin, Shield End Module, Open End Version, 80 Circuits, Pin Length 4.75mm (.187"), Lead Free

Documents:

[Drawing \(PDF\)](#) [RoHS Certificate of Compliance \(PDF\)](#)
[Product Specification PS-74031-999 \(PDF\)](#)



General

Product Family	Backplane Connectors
Series	74061
Application	Backplane
Comments	No Keying Position
Component Type	PCB Header
Overview	vhdm_h
Product Name	VHDM® - H Series
Style	N/A

Physical

Circuits (Loaded)	200
Circuits (maximum)	200
Color - Resin	Black
Durability (mating cycles max)	200
First Mate / Last Break	No
Guide to Mating Part	Yes
Keying to Mating Part	None
Material - Metal	Copper Alloy
Material - Plating Mating	Gold
Material - Plating Termination	Tin
Material - Resin	High Temperature Thermoplastic
Number of Columns	25
Number of Pairs	Open Pin Field
Number of Rows	8
Orientation	Vertical
PC Tail Length (in)	0.072 In
PC Tail Length (mm)	1.83 mm
PCB Locator	No
PCB Retention	None
PCB Thickness Recommended (in)	0.072 In
PCB Thickness Recommended (mm)	1.83 mm
Packaging Type	Tube
Pitch - Mating Interface (in)	0.079 In
Pitch - Mating Interface (mm)	2.00 mm
Pitch - Term. Interface (in)	0.089 In
Pitch - Term. Interface (mm)	2.25 mm
Plating min: Mating (µin)	30
Plating min: Mating (µm)	0.75
Plating min: Termination (µin)	30
Plating min: Termination (µm)	0.75
Polarized to PCB	Yes
Stackable	No
Surface Mount Compatible (SMC)	Yes
Temperature Range - Operating	-55°C to +85°C

EU RoHS

ELV and RoHS Compliant
REACH SVHC
 Not Reviewed
Halogen-Free Status
 Not Reviewed

China RoHS



Need more information on product environmental compliance?

Email productcompliance@molex.com
 For a multiple part number RoHS Certificate of Compliance, [click here](#)

Please visit the [Contact Us](#) section for any non-product compliance questions.

Search Parts in this Series

[74061Series](#)

Application Tooling | [FAQ](#)

Tooling specifications and manuals are found by selecting the products below. Crimp Height Specifications are then contained in the Application Tooling Specification document.

Global

Description	Product #
VHDM® Signal Pin	0622015700
Insertor Repair Tool	
VHDM® 8 Row Pin and Shield Repair Tool	0622015900
VHDM® 8 Row Shield Extraction Tool	0622016100
VHDM® Insertion Module for Standard Shield Signal Header, 8 Row by	0622020210

Termination Interface: Style

Through Hole - Compliant Pin

25 Wide, 50.00mm
(1.97")

Electrical

Current - Maximum per Contact

1A

Data Rate

6.25 Gbps

Real Signals (per 25mm)

75

Shield Type

Ground Plane Shield

Shielded

Yes

Voltage - Maximum

120V AC (RMS)/DC

Material Info

Reference - Drawing Numbers

Packaging Specification

PK-74061-003

Product Specification

PS-74031-999

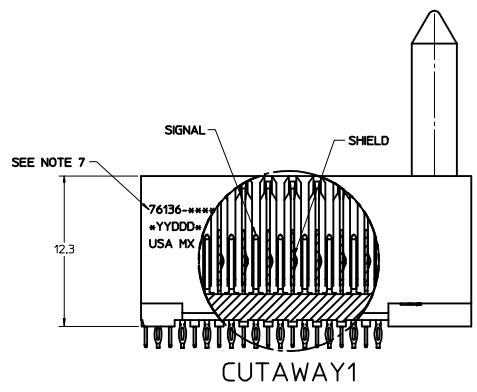
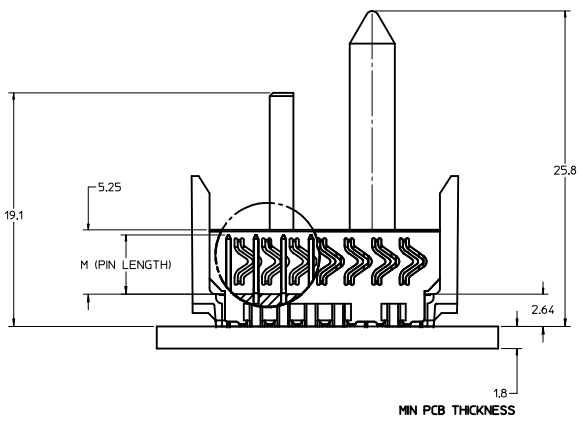
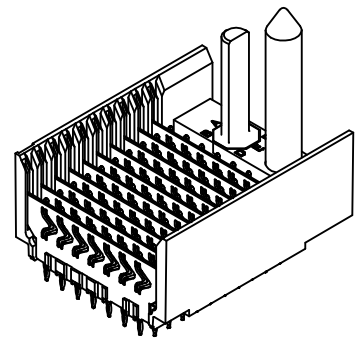
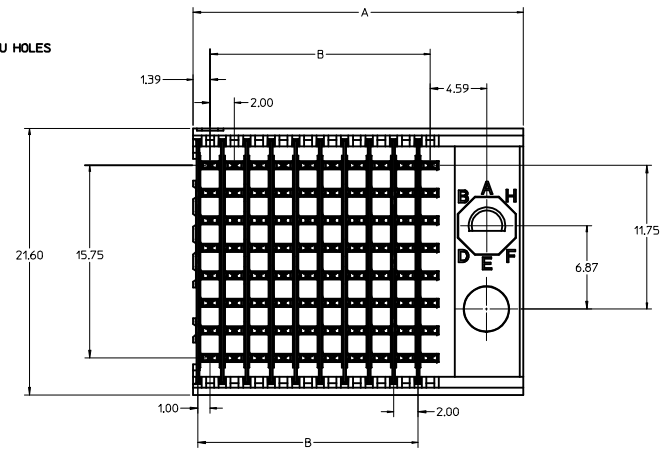
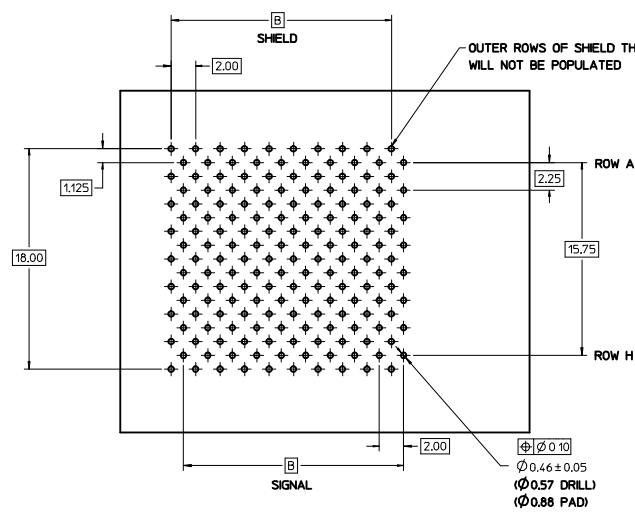
Sales Drawing

SD-76136-001

VHDM and Very High Density Metric are trademarks of Amphenol Corporation

This document was generated on 05/27/2010

PLEASE CHECK WWW.MOLEX.COM FOR LATEST PART INFORMATION



- NOTES:
1. MATERIALS:
HOUSING - LIQUID CRYSTAL POLYMER (LCP)
GLASS FILLED, UL94V-0, BLACK
SIGNAL PIN AND SHIELD - COPPER ALLOY
 2. FINISHES:
CONTACT AREA - SELECTIVE GOLD (Au)
PCB TAILS - SELECTIVE TIN/LEAD (SnPb) OR MATTE TIN (Sn)
 3. THIS PART CONFORMS TO MOLEX PRODUCT SPECIFICATION PS-74031-999.
 4. FOR MIXED CONTACT LENGTH CONTACT MOLEX FOR AVAILABILITY.
 5. FOR SPECIFIC MATERIAL NUMBERS AND MATING INFORMATION REFER TO SHEET 2.
 6. PACKAGE PER PK-74061-003.
 7. ASSEMBLY WILL BE MARKED WITH P/N AND DATE CODE WITH LASER MARK ON SIDE OF HOUSING OR BY LABEL ON THE TUBE.

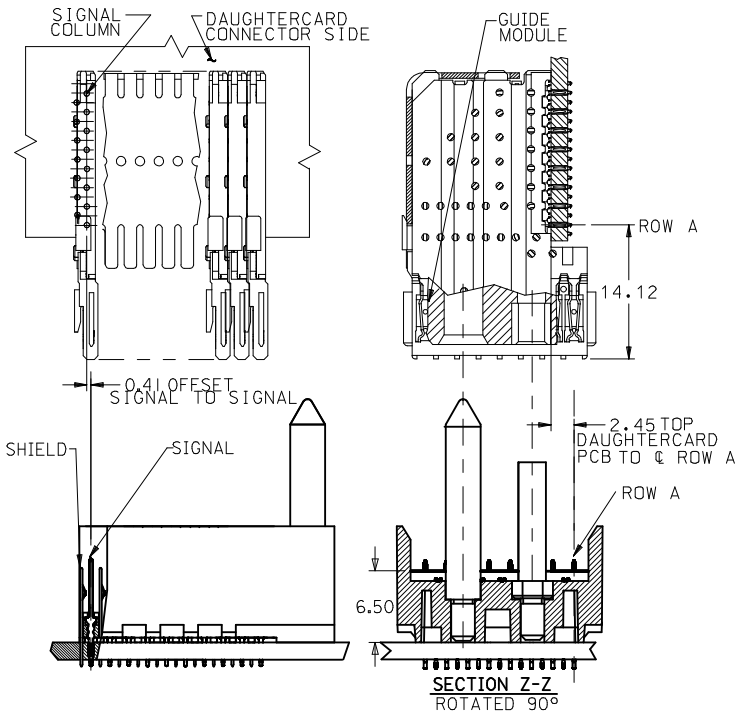
INITIAL RELEASE EC NO. UCP2008-2748 DRAWN: JONI AK 2008/12/01 CHKD: JONI AK 2008/12/02 APPR: JLAURY 2008/12/03	QUALITY SYMBOLS	GENERAL TOLERANCES (UNLESS SPECIFIED)		DIMENSION STYLE	SCALE	DESIGN UNITS	THIRD ANGLE PROJECTION	
	▽=0 ▽=0	mm	INCH	MM ONLY	5:1	METRIC		
		4 PLACES ±	±		DRAWN BY	DATE	TITLE	
		3 PLACES ±	±		JONI AK	2008/04/11	VHDM H-SERIES 8 ROW SHIELD END BACKPLANE SALES DRAWING	
	2 PLACES ± 0.15	±		CHECKED BY	DATE			
	1 PLACE ± 0.25	±		BINGHAM	2008/04/11			
	ANGULAR ± 1/2°			APPROVED BY	DATE			
				BINGHAM	2008/04/11			
	DRAFT WHERE APPLICABLE MUST REMAIN WITHIN DIMENSIONS			MATERIAL NO.	DOCUMENT NO.			
				SEE PAGE 2				
				SIZE				
				D				
				THIS DRAWING CONTAINS INFORMATION THAT IS PROPRIETARY TO MOLEX INCORPORATED AND SHOULD NOT BE USED WITHOUT WRITTEN PERMISSION				
						MOLEX MOLEX INCORPORATED		
						SD-76136-001		
							SHEET NO. 1 OF 2	

M/N 76136-()	---0*	---1*	---2*	---3*	---4*	---5*	---6*	---7*	---8*
KEYING PIN ORIENTATION									

76136 - * * * *

NUMBER OF COLUMNS/PLATING
 10 = 10 COLUMN TIN/LEAD
 25 = 25 COLUMN TIN/LEAD
 90 = 10 COLUMN MATTE TIN
 85 = 25 COLUMN MATTE TIN

CONTACT LOAD
 (PIN LENGTH)
 1 & 6 = 4.75
 2 & 7 = 6.25
 3 & 8 = 4.25
 4 & 9 = 5.15



PART NUMBER	COLUMN	NUMBER OF SIGNAL PIN	NUMBER OF SHIELD	A	B	M	Au (um) THICKNESS	Sn (um) THICKNESS
76136-#0*1	10	80	10	27.00	18.00	4.75	0.76	0.76-1.52
76136-#0*6							1.27	
76136-#5*1	25	200	25	57.00	48.00	6.25	0.76	
76136-#5*6							1.27	
76136-#0*2	10	80	10	27.00	18.00	4.25	0.76	
76136-#0*7							1.27	
76136-#5*2	25	200	25	57.00	48.00	5.15	0.76	
76136-#5*7							1.27	
76136-#0*3	10	80	10	27.00	18.00		0.76	
76136-#0*8							1.27	
76136-#5*3	25	200	25	57.00	48.00		0.76	
76136-#5*8							1.27	
76136-#0*4	10	80	10	27.00	18.00		0.76	
76136-#0*9							1.27	
76136-#5*4	25	200	25	57.00	48.00		0.76	
76136-#5*9							1.27	

INITIAL RELEASE EC NO: UCP2008-2748 DRWN: JONIAK 2008/12/01 CHKD: JONIAK 2008/12/02 APPR: ILAURX 2008/12/03	QUALITY SYMBOLS	GENERAL TOLERANCES (UNLESS SPECIFIED)	DIMENSION STYLE MM ONLY	SCALE 1:1	DESIGN UNITS METRIC	THIRD ANGLE PROJECTION																																		
	$\nabla=0$ $\nabla=0$	<table border="1"> <tr> <th></th> <th>mm</th> <th>INCH</th> </tr> <tr> <td>4 PLACES</td> <td>± .005</td> <td>± .0005</td> </tr> <tr> <td>3 PLACES</td> <td>± .005</td> <td>± .0005</td> </tr> <tr> <td>2 PLACES</td> <td>± 0.15</td> <td>± .005</td> </tr> <tr> <td>1 PLACE</td> <td>± 0.25</td> <td>± .010</td> </tr> </table>		mm	INCH	4 PLACES	± .005	± .0005	3 PLACES	± .005	± .0005	2 PLACES	± 0.15	± .005	1 PLACE	± 0.25	± .010	<table border="1"> <tr> <th>DRAWN BY</th> <th>DATE</th> <th>TITLE</th> </tr> <tr> <td>JONIAK</td> <td>2008/04/11</td> <td rowspan="3">VHDM H-SERIES 8 ROW SHIELD END BACKPLANE SALES DRAWING</td> </tr> <tr> <th>CHECKED BY</th> <th>DATE</th> </tr> <tr> <td>BINGHAM</td> <td>2008/04/11</td> </tr> <tr> <th>APPROVED BY</th> <th>DATE</th> <td rowspan="2">MOLEX INCORPORATED</td> </tr> <tr> <td>BINGHAM</td> <td>2008/04/11</td> </tr> </table>	DRAWN BY	DATE	TITLE	JONIAK	2008/04/11	VHDM H-SERIES 8 ROW SHIELD END BACKPLANE SALES DRAWING	CHECKED BY	DATE	BINGHAM	2008/04/11	APPROVED BY	DATE	MOLEX INCORPORATED	BINGHAM	2008/04/11	<table border="1"> <tr> <th>MATERIAL NO.</th> <th>DOCUMENT NO.</th> <th>SHEET NO.</th> </tr> <tr> <td>SEE CHART</td> <td>SD-76136-001</td> <td>2 OF 2</td> </tr> </table>	MATERIAL NO.	DOCUMENT NO.	SHEET NO.	SEE CHART	SD-76136-001	2 OF 2
		mm	INCH																																					
	4 PLACES	± .005	± .0005																																					
3 PLACES	± .005	± .0005																																						
2 PLACES	± 0.15	± .005																																						
1 PLACE	± 0.25	± .010																																						
DRAWN BY	DATE	TITLE																																						
JONIAK	2008/04/11	VHDM H-SERIES 8 ROW SHIELD END BACKPLANE SALES DRAWING																																						
CHECKED BY	DATE																																							
BINGHAM	2008/04/11																																							
APPROVED BY	DATE	MOLEX INCORPORATED																																						
BINGHAM	2008/04/11																																							
MATERIAL NO.	DOCUMENT NO.	SHEET NO.																																						
SEE CHART	SD-76136-001	2 OF 2																																						
DESCRIPTION	DRAFT WHERE APPLICABLE MUST REMAIN WITHIN DIMENSIONS	THIS DRAWING CONTAINS INFORMATION THAT IS PROPRIETARY TO MOLEX INCORPORATED AND SHOULD NOT BE USED WITHOUT WRITTEN PERMISSION																																						
REV	1																																							