

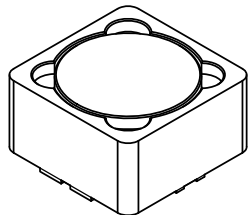
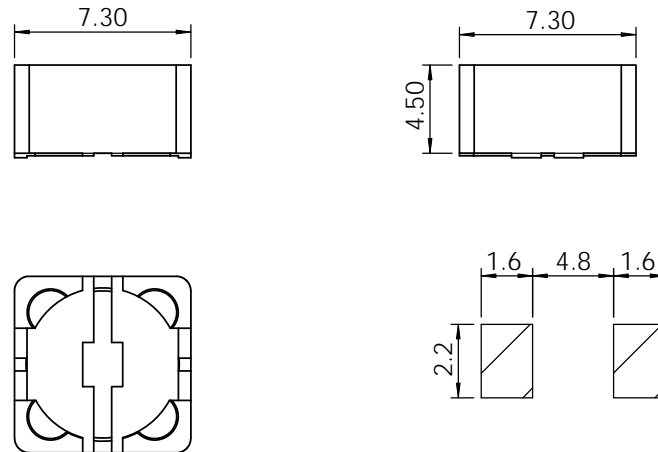
Part	L ( $\mu$ H)	Tol %	R <sub>bc</sub> MAX ( $\Omega$ )	I <sub>bc</sub> I <sub>N</sub> (A)
CDRH74-100	10 @ 2.52 MHz	L,M	0.05	1.84
CDRH74-120	12 @ 2.52 MHz	L,M	0.06	1.71
CDRH74-150	15 @ 2.52 MHz	L,M	0.08	1.47
CDRH74-180	18 @ 2.52 MHz	L,M	0.09	1.31
CDRH74-220	22 @ 2.52 MHz	L,M	0.11	1.23
CDRH74-270	27 @ 2.52 MHz	L,M	0.15	1.12
CDRH74-330	33 @ 2.52 MHz	L,M	0.17	0.96
CDRH74-390	39 @ 2.52 MHz	L,M	0.23	0.91
CDRH74-470	47 @ 2.52 MHz	L,M	0.26	0.88
CDRH74-560	56 @ 2.52 MHz	L,M	0.35	0.75
CDRH74-680	68 @ 2.52 MHz	L,M	0.38	0.69
CDRH74-820	82 @ 2.52 MHz	L,M	0.43	0.61
CDRH74-101	100 @ 1.0 kHz	L,M	0.61	0.6
CDRH74-121	120 @ 1.0 kHz	L,M	0.66	0.52
CDRH74-151	150 @ 1.0 kHz	L,M	0.88	0.46
CDRH74-181	180 @ 1.0 kHz	L,M	0.98	0.42
CDRH74-221	220 @ 1.0 kHz	L,M	1.17	0.36
CDRH74-271	270 @ 1.0 kHz	L,M	1.64	0.34
CDRH74-331	330 @ 1.0 kHz	L,M	1.86	0.32
CDRH74-391	390 @ 1.0 kHz	L,M	2.85	0.29
CDRH74-471	470 @ 1.0 kHz	L,M	3.01	0.26
CDRH74-561	560 @ 1.0 kHz	L,M	3.62	0.23
CDRH74-681	680 @ 1.0 kHz	L,M	4.63	0.22
CDRH74-821	820 @ 1.0 kHz	L,M	5.2	0.2
CDRH74-102	1000 @ 1.0 kHz	L,M	6	0.18

SPECIFICATION

TYPE = CDRH74  
CONSTRUCTION = SURFACE MOUNT POWER INDUCTOR  
TERMINAL COATING = NICKEL / SILVER  
OPERATING TEMP. = -40 TO +85 °C  
STORAGE TEMP = -55 TO +125 °C  
INSULATION RESISTANCE = 100MOhm. 100V TERMINAL-CORE  
DIELECTRIC STRENGTH = 250Vac TERMINAL-CORE  
HUMIDITY EFFECTS = L±5 @ 95%RH, 40 °C, 1HR  
= Q±5 @ 95%RH, 40 °C, 1HR  
PACKAGING = 1000PCS/REEL  
MARKING = 3 CHARACTERS, VALUE

NOTE

TOLERANCES L=15%; M=20%; N=30%



<b>PROPRIETARY AND CONFIDENTIAL</b> THE INFORMATION CONTAINED IN THIS DRAWING IS THE SOLE PROPERTY OF AIT COMPONENTS LTD. ANY REPRODUCTION IN PART OR AS A WHOLE WITHOUT THE WRITTEN PERMISSION OF AIT COMPONENTS LTD IS STRICTLY PROHIBITED.	NAME	DATE	<b>AIT COMPONENTS LTD</b> www.aitcomponents.com	
	DRAWN			
	CHECKED			
	MATERIAL	UNLESS OTHERWISE SPECIFIED DIMENSIONS ARE IN MILLIMETERS TOLERANCES: ONE PLACE DECIMAL +/-0.3 TWO PLACE DECIMAL +/-0.13 ANGLE +/-1 DEGREE		TITLE:  <b>CDRH74 SMD  POWER INDUCTOR</b>
FINISH	DO NOT SCALE DRAWING	SIZE <b>A</b>	DWG. NO. CDRH74 SMD POWER INDUCTOR	REV. <b>00</b>
SCALE:1:1			SHEET 1 OF 1	