

SS32A THRU SS320A



3.0 AMP SURFACE MOUNT SCHOTTKY BARRIER RECTIFIERS

FEATURES

- * Low forward voltage drop
- * High current capability
- * High reliability
- * High surge current capability
- * Epitaxial construction

MECHANICAL DATA

- * Case: Molded plastic
- * Epoxy: UL 94V-0 rate flame retardant
- * Lead: Axial leads, solderable per MIL-STD-202, method 208 guaranteed
- * Polarity: Color band denotes cathode end
- * Mounting position: Any
- * Weight: 0.093 grams
- * Both normal and Pb free product are available:
- * Normal: 80~95%Sn, 5~20%Pb
- * Pb free: 99 Sn above can meet Rohs environment substance directive request

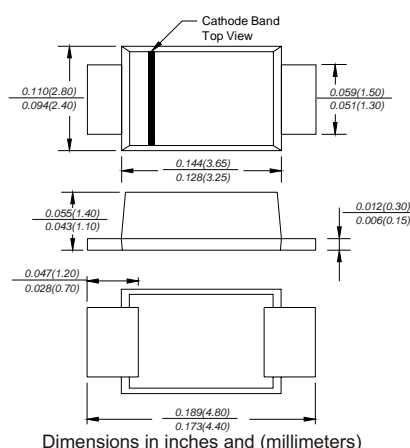
VOLTAGE RANGE

20 to 200 Volts

CURRENT

3.0 Ampere

SMAF



MAXIMUM RATINGS AND ELECTRICAL CHARACTERISTICS

Rating 25°C ambient temperature unless otherwise specified.
Single phase half wave, 60Hz, resistive or inductive load.
For capacitive load, derate current by 20%.

TYPE NUMBER	SS32A	SS34A	SS36A	SS38A	SS310A	SS315A	SS320A	UNITS	
Maximum Recurrent Peak Reverse Voltage	20	40	60	80	100	150	200	V	
Maximum RMS Voltage	14	28	42	56	70	105	140	V	
Maximum DC Blocking Voltage	20	40	60	80	100	150	200	V	
Maximum Average Forward Rectified Current									
See Fig. 1								3.0	V
Peak Forward Surge Current, 8.3 ms single half sine-wave superimposed on rated load (JEDEC method)								120	A
Maximum Instantaneous Forward Voltage at 3.0A	0.55		0.70			0.85		V	
Maximum DC Reverse Current Ta=25°C								0.2	mA
at Rated DC Blocking Voltage Ta=100°C								20	mA
Typical Junction Capacitance (Note 1)								320	pF
Typical Thermal Resistance R JA (Note 2)								10	°C/W
Operating Temperature Range Tj	-65 — +125						-65 — +150	°C	
Storage Temperature Range TSTG								-65 — +150	°C

NOTES:

1. Measured at 1MHz and applied reverse voltage of 4.0V D.C.
2. Thermal Resistance Junction to Ambient.

RATING AND CHARACTERISTIC CURVES (SS32A THRU SS320A)

FIG.1-TYPICAL FORWARD CURRENT DERATING CURVE

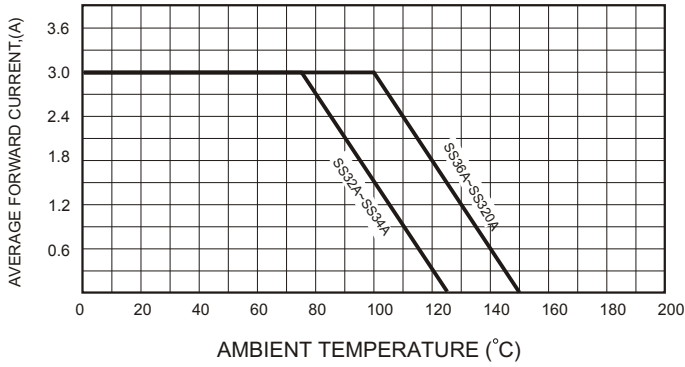


FIG.2-TYPICAL FORWARD CHARACTERISTICS

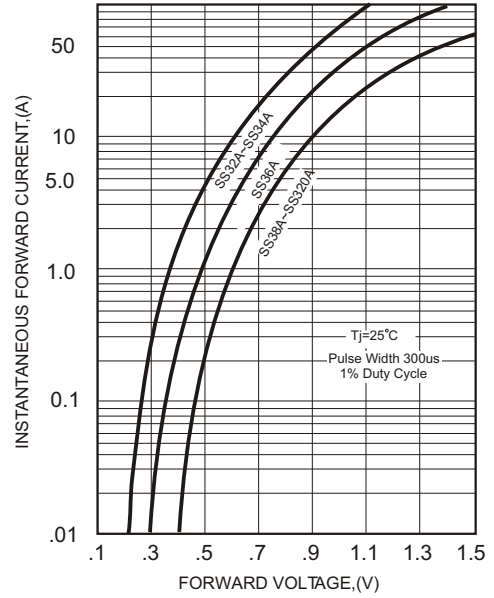


FIG.3-MAXIMUM NON-REPETITIVE FORWARD SURGE CURRENT

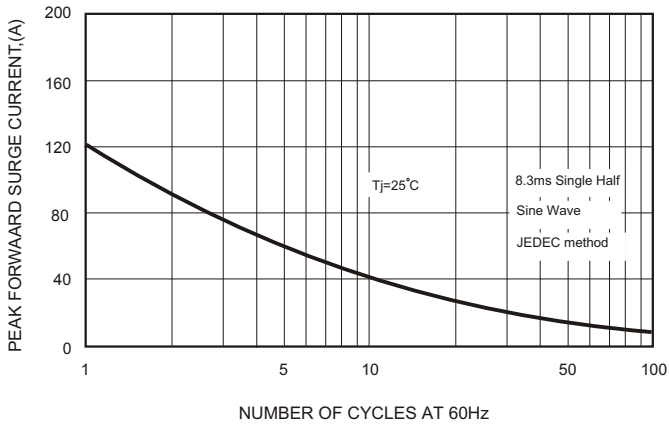


FIG.4-TYPICAL JUNCTION CAPACITANCE

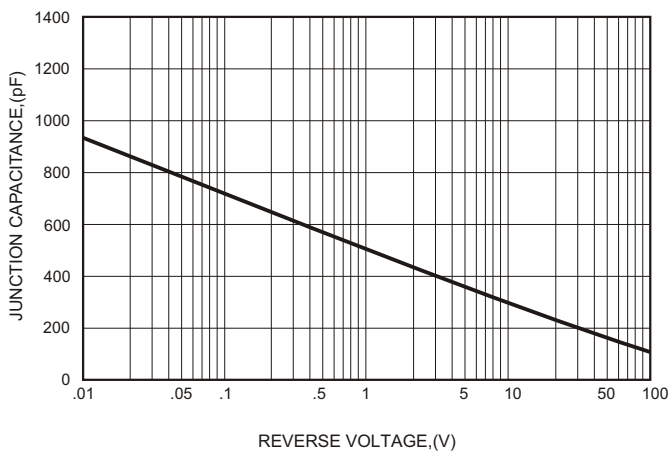


FIG.5 - TYPICAL REVERSE CHARACTERISTICS

