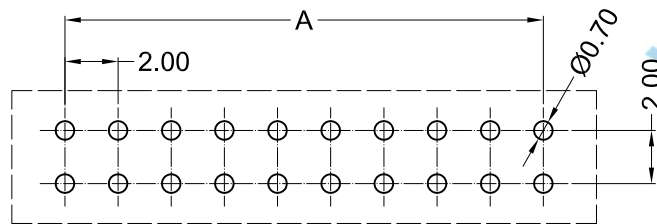
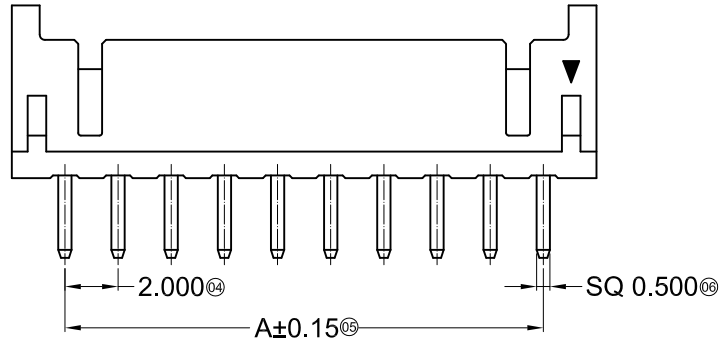


SPECIFICATIONS

- 1.Voltage rating: 250V AC, DC
 - 2.Current rating: 3A, AC, DC
 - 3.Withstanding Voltage: 800V AC/minute
 - 4.Insulation resistance:1000M min
 - 5.Temperature range: -25 ° C+85 ° C
 - 6.Contact resistance: 10m max
- WAFER
Housing Material: Nylon66 UL 94V0
Pin Material: Phosphor Bronze or Brass
Contact Area Plating: Plated Tin or Plated Gold
Mates with :P2020 series Housing
Poles:04-44P
Part No.: M2020V-xx-46



Recommended P.C.B Layout
General Tolerance±0.05

Poles	Dimensions (mm)			Poles	Dimensions (mm)			Poles	Dimensions (mm)		
	A	B	C		A	B	C		A	B	C
2*02	2.00	6.00	4.80	2*09	16.00	20.00	18.80	2*16	30.00	34.00	32.80
2*03	4.00	8.00	6.80	2*10	18.00	22.00	20.80	2*17	32.00	36.00	34.80
2*04	6.00	10.00	8.80	2*11	20.00	24.00	22.80	2*18	34.00	38.00	36.80
2*05	8.00	12.00	10.80	2*12	22.00	26.00	24.80	2*19	36.00	40.00	38.80
2*06	10.00	14.00	12.80	2*13	24.00	28.00	26.80	2*20	38.00	42.00	40.80
2*07	12.00	16.00	14.80	2*14	26.00	30.00	28.80	2*21	40.00	44.00	42.80
2*08	14.00	18.00	16.80	2*15	28.00	32.00	30.80	2*22	42.00	46.00	44.80

Pin位数

				TOLERANCE UNLESS OTHERWISE		DRAWN	CK	tan
				X.	±0.30	X°	±5°	
				.X	±0.20	.X°	±2°	
				.XX	±0.08	.XX°	±1°	
				.XXX	±0.03	.XXX°	±0.5°	
A0	MODIFICATION	DRAW	DATE					

<p>XFCN兴飞连接器有限公司 CONNECTORS XFCN CONNECTORS CO., LTD.</p>		SHEET	1/1
		DATE	2010. 4. 12
PRODUCT NAME	2.00mm Crimp Style Connectors	UNITS	mm
PART. NO.	M2020V-2xXX-46	SCALE	1:1
		DWG NO.	009