

**PLEASE CHECK WWW.MOLEX.COM FOR LATEST PART INFORMATION**

**Part Number:** [0495181592](#)  
**Status:** **Active**  
**Description:** 3.96mm (.156") Pitch Wire-to-Board Retainer, 15 Circuits, UL94V-2, Red

**Documents:**

[Drawing \(PDF\)](#) [RoHS Certificate of Compliance \(PDF\)](#)  
[Product Specification PS-49517-001 \(PDF\)](#)

**General**

|                |                           |
|----------------|---------------------------|
| Product Family | Accessories               |
| Series         | 49518                     |
| Component Type | Retainer                  |
| Product Name   | TPA™ - Term Pos Assurance |

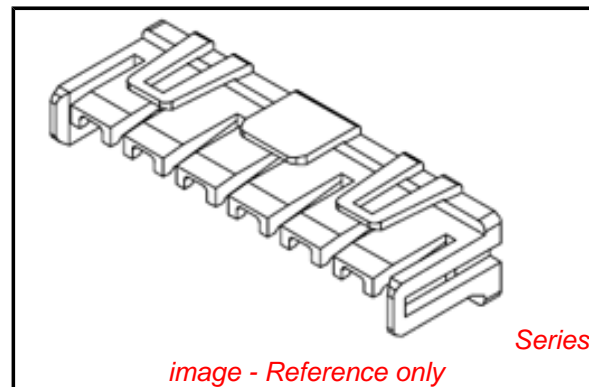
**Physical**

|                               |                |
|-------------------------------|----------------|
| Circuits (Loaded)             | 15             |
| Color - Resin                 | Natural        |
| Lock to Mating Part           | Yes            |
| Material - Resin              | Nylon          |
| Number of Rows                | 0              |
| Packaging Type                | Bag            |
| Temperature Range - Operating | -25°C to +85°C |

**Material Info**

**Reference - Drawing Numbers**

|                         |              |
|-------------------------|--------------|
| Packaging Specification | PK-49518-001 |
| Product Specification   | PS-49517-001 |
| Sales Drawing           | SD-49518-001 |



**EU RoHS**

**ELV and RoHS  
Compliant**  
**REACH SVHC**  
 Not Reviewed  
**Halogen-Free  
Status**

**China RoHS**



**Need more information on product  
environmental compliance?**

Email [productcompliance@molex.com](mailto:productcompliance@molex.com)  
 For a multiple part number RoHS Certificate of Compliance, [click here](#)

Please visit the [Contact Us](#) section for any non-product compliance questions.

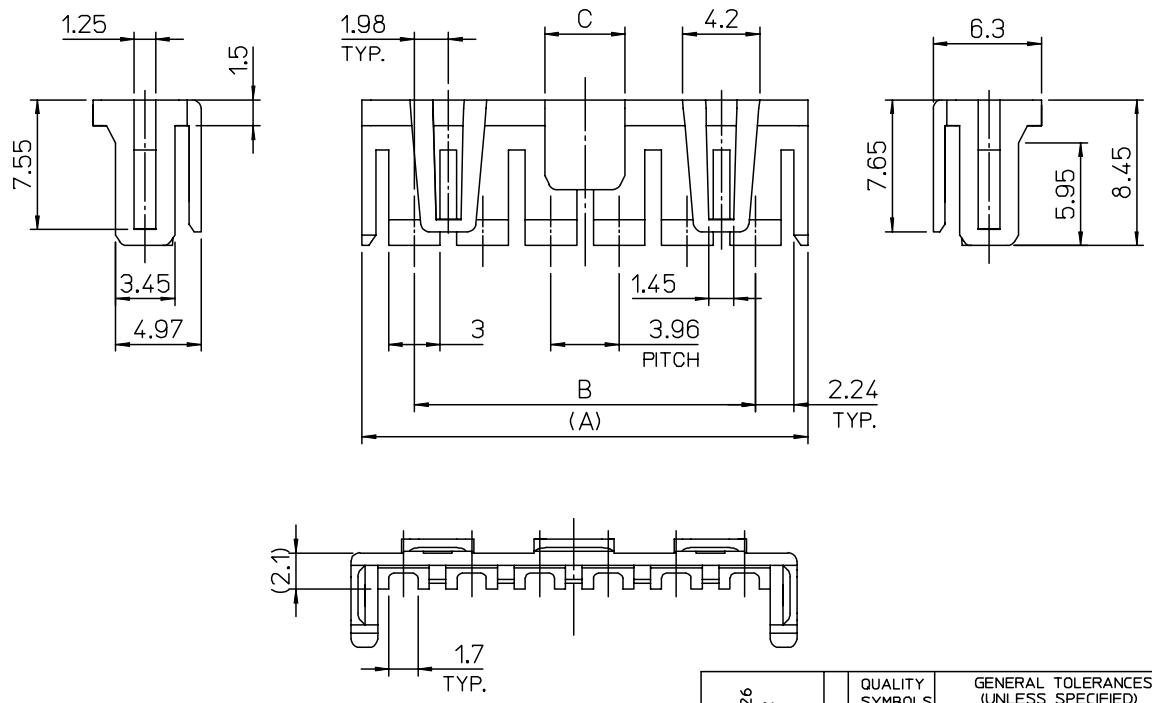
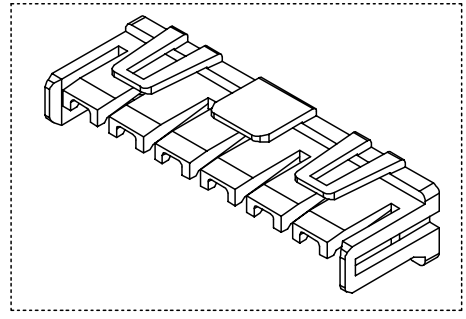
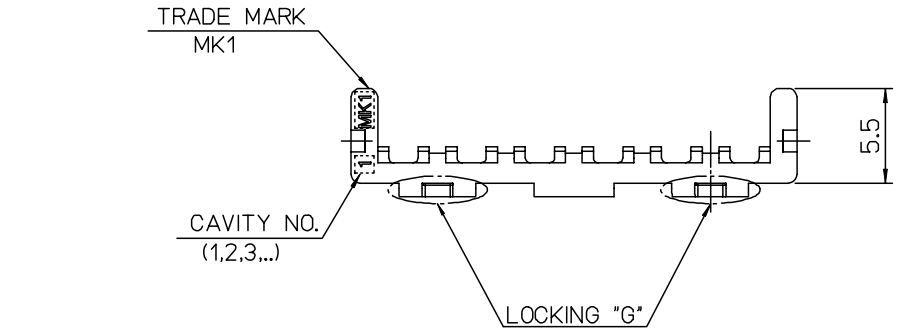
**Search Parts in this Series**

[49518Series](#)

**Use With**

[49517 Wire-to-Board Female Housing](#)

DWG. NO. SD-49518-001  
 PROJECT NO. C  
 SIMILAR ITEM  
 DO NOT SCALE DRAWING DIMENSION IN METRIC



|       |       |       |              |      |                 |
|-------|-------|-------|--------------|------|-----------------|
| 17.07 | 55.44 | 61.52 | - 1590       | 15   | LOCKING         |
|       | 51.48 | 57.56 | - 1490       | 14   |                 |
|       | 47.52 | 53.6  | - 1390       | 13   |                 |
|       | 43.56 | 49.64 | - 1290       | 12   |                 |
|       | 39.60 | 45.68 | - 1190       | 11   |                 |
|       | 35.64 | 41.72 | - 1090       | 10   |                 |
| 14.87 | 31.68 | 37.76 | - 0990       | 9    |                 |
| 12.87 | 27.72 | 33.8  | - 0890       | 8    |                 |
| 8.04  | 23.76 | 29.84 | - 0790       | 7    |                 |
| 4.67  | 19.80 | 25.88 | - 0690       | 6    | WITHOUT LOCKING |
|       | 15.84 | 21.92 | - 0590       | 5    |                 |
|       | 11.88 | 17.96 | - 0490       | 4    |                 |
|       | 7.92  | 14    | - 0390       | 3    |                 |
| 0.67  | 3.96  | 10.04 | 49518- 0290  | 2    |                 |
| C     | B     | A     | MATERIAL NO. | CKT' | TYPE'G'         |

- NOTES
- MATERIAL : POLYAMIDE66,UL94V-2
  - FINISH : NATURAL COLOR
  - MATED WITH HOUSING : 49517 SERIES

|  |   |   |    |  |  |  |                     |           |     |
|--|---|---|----|--|--|--|---------------------|-----------|-----|
| NEW RELEASED<br>ECN NO. KOR2006-0026<br>DRWN: J.B.JIN 05/08/22<br>CHK: W.Y.YANG<br>APPR: C.W.LEE | QUALITY SYMBOLS<br>MAJOR<br>CRITICAL<br>C | GENERAL TOLERANCES:<br>(UNLESS SPECIFIED) |    | SCALE 1:1  | DESIGN UNITS<br><input checked="" type="checkbox"/> mm <input type="checkbox"/> INCH | DIMENSIONS:<br><input type="checkbox"/> mm <input type="checkbox"/> INCH<br><input checked="" type="checkbox"/> mm ONLY        |                     | SHT       | REV |
|  |   | 4 PLACES ±0.                              | ±- | DRAWN BY & DATE<br>J.B.JIN 05/02/18                  | TITLE:<br>3.96 W/B CONN.-TPA   |  |                     |           |     |
| A  | REV                                       | 3 PLACES ±0.                              | ±- | CHECKED BY & DATE<br>W.Y.YANG 05/02/18               | APPROVED BY & DATE<br>C.W.LEE 05/02/18   |  | MOLEX INCORPORATED  |           |     |
|  |   | 2 PLACES ±0.25                            | ±- | CAD FILENAME<br>S49518AA.MI                          | MATERIAL NO.<br>SEE CHART  | DRAWING NO.<br>SD-49518-001  | SHEET NO.<br>1 OF 1 |           |     |
|  |   | 1 PLACE ±0.25                             | ±- | DRAFT WHERE APPLICABLE MUST REMAIN WITHIN DIMENSIONS |  | THIS DRAWING CONTAINS INFORMATION THAT IS PROPRIETARY TO MOLEX INCORPORATED AND SHOULD NOT BE USED WITHOUT WRITTEN PERMISSION. |                     | SIZE<br>B |     |
|  |   | ANGULAR: ± °                              |    |  |  | KOREA  |                     | MX-A3     |     |