

**PLEASE CHECK WWW.MOLEX.COM FOR LATEST PART INFORMATION**

**Part Number:** **0190030061**  
**Status:** **Active**  
**Description:** InsulKrimp™ Quick Disconnect, Female, for 14-16 (2.00-1.30), Mylar Tape, Tab  
 4.75mm (.187") x 0.81mm (.032")

**Documents:**

[Drawing \(PDF\)](#) [RoHS Certificate of Compliance \(PDF\)](#)  
[Product Specification PS-19902-008 \(PDF\)](#)

**Agency Certification**

CSA LR18689  
 UL E79133

**General**

Product Family Quick Disconnects  
 Series 19003  
 Comments Funnel Entry  
 Crimp Quality Equipment Yes  
 Product Name InsulKrimp™  
 Type Quick Disconnect

**Physical**

Barrel Type Closed  
 Color - Resin Natural  
 Flammability 94V-2  
 Gender Female  
 Glow-Wire Compliant No  
 Insulation Nylon (PA)  
 Lock to Mating Part None  
 Material - Metal Brass  
 Material - Plating Mating Tin  
 Material - Plating Termination Tin  
 Material - Resin Nylon  
 Orientation Straight  
 Packaging Type Adhesive Tape on Reel  
 Plating min: Mating (µin) 160  
 Plating min: Mating (µm) 4  
 Plating min: Termination (µin) 160  
 Plating min: Termination (µm) 4  
 Polarized to Mating Part No  
 Tab Thickness 0.81mm (.032")  
 Tab Width 4.75mm (.187")  
 Temperature Range - Operating -65°C to +105°C  
 Termination Interface: Style Crimp or Compression  
 Wire Insulation Diameter 6.60mm (.260") max.  
 Wire Size AWG 14, 16  
 Wire Size mm² 1.30 - 2.00

**Electrical**

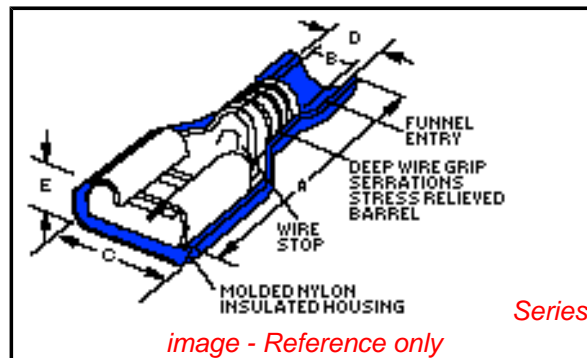
Voltage - Maximum 600V

**Material Info**

Old Part Number BB-2208XT

**Reference - Drawing Numbers**

Product Specification PS-19902-008  
 Sales Drawing SD-19003-006



Series

**EU RoHS**

**ELV and RoHS  
 Compliant**

**REACH SVHC**

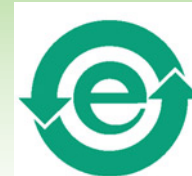
Not Reviewed

**Halogen-Free**

**Status**

**Not Reviewed**

**China RoHS**



**Need more information on product  
 environmental compliance?**

Email [productcompliance@molex.com](mailto:productcompliance@molex.com)  
 For a multiple part number RoHS Certificate of  
 Compliance, [click here](#)

Please visit the [Contact Us](#) section for any  
 non-product compliance questions.

**Search Parts in this Series**

19003Series

**Application Tooling | FAQ**

*Tooling specifications and manuals are  
 found by selecting the products below.  
 Crimp Height Specifications are then  
 contained in the Application Tooling  
 Specification document.*

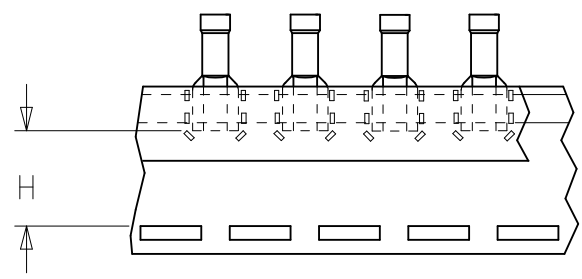
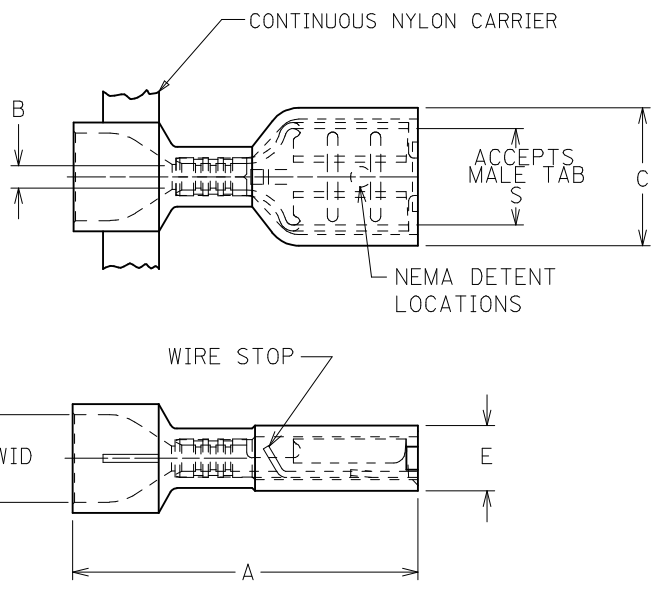
**Global**

| Description  | Product #         |
|--|-------------------|
| Crimp Dies for<br>the ATP-301 Air<br>Crimping Press<br>for Mylar Tape<br>Mounted Terminals<br>and MTA-106 Tape<br>Applicator used in<br>Wire Processing<br>Machine | <u>0192880105</u> |
| Mini-Mac™<br>Applicator  | <u>0638854200</u> |

This document was generated on 04/13/2010

**PLEASE CHECK [WWW.MOLEX.COM](http://WWW.MOLEX.COM) FOR LATEST PART INFORMATION**

| 10                      | 9                        | 8                      | 7                     | 6             | 5                 | 4                     | 3                  | 2           |             |             |             |             |                |
|-------------------------|--------------------------|------------------------|-----------------------|---------------|-------------------|-----------------------|--------------------|-------------|-------------|-------------|-------------|-------------|----------------|
| MATERIAL #<br>LOOSE PCS | MATERIAL #<br>CONTINUOUS | MATERIAL #<br>TAPE MNT | MOLEX-ETC<br>PART NO. | INS.<br>COLOR | WIRE RANGE<br>AWG | FITS MALE<br>TAB SIZE | STOCK<br>THICK REF | "A"<br>MAX  | "B"<br>MIN. | "C"<br>MAX. | "D"<br>MWID | "E"<br>MAX. | "H"<br>NOMINAL |
| 190030008               | 190030009                | 190030010              | AA-2201X              | RED           | 22-18             | .250x.032 (6.35x0.81) | .016 (0.4)         | .94 (23.9)  | .058 (1.47) | .380 (9.66) | .230 (5.84) | .180 (4.58) | .56 (14.2)     |
| NOTE 5                  | NOTE 5                   | NOTE 5                 | AA-2213X              | RED           | 22-18             | .205x.020 (5.21x0.51) | .016 (0.4)         | .86 (21.8)  | .058 (1.47) | .316 (8.03) | .230 (5.84) | .160 (4.07) | .60 (15.3)     |
| NOTE 5                  | NOTE 5                   | NOTE 5                 | AA-2214X              | PINK (B)      | 22-18             | .205x.032 (5.21x0.81) | .016 (0.4)         | .86 (21.8)  | .058 (1.47) | .316 (8.03) | .230 (5.84) | .160 (4.07) | .60 (15.3)     |
| 190030014               | 190030015                | 190030016              | AA-2202X              | RED           | 22-18             | .187x.020 (4.75x0.51) | .016 (0.4)         | .86 (21.8)  | .058 (1.47) | .316 (8.03) | .230 (5.84) | .160 (4.07) | .60 (15.3)     |
| 190030021               | 190030022                | 190030023              | AA-2203X              | PINK (B)      | 22-18             | .187x.032 (4.75x0.81) | .016 (0.4)         | .86 (21.8)  | .058 (1.47) | .316 (8.03) | .230 (5.84) | .160 (4.07) | .60 (15.3)     |
| 190030027               | 190030028                | 190030029              | AA-2204X              | RED           | 22-18             | .110x.020 (2.79x0.51) | .012 (0.3)         | .86 (21.8)  | .058 (1.47) | .230 (5.85) | .230 (5.84) | .150 (3.81) | .61 (15.5)     |
| 190030033               | 190030034                | 190030035              | AA-2205X              | PINK (B)      | 22-18             | .110x.032 (2.79x0.81) | .012 (0.3)         | .86 (21.8)  | .058 (1.47) | .230 (5.85) | .230 (5.84) | .150 (3.81) | .61 (15.5)     |
| 190030047               | 190030048                | 100030049              | BB-2206X              | BLUE          | 16-14             | .250x.032 (6.35x0.81) | .016 (0.4)         | .94 (23.9)  | .083 (2.10) | .380 (9.66) | .260 (6.60) | .180 (4.58) | .56 (14.2)     |
| NOTE 5                  | NOTE 5                   | NOTE 5                 | BB-2215X              | BLUE          | 16-14             | .205x.020 (5.21x0.51) | .016 (0.4)         | .86 (21.8)  | .083 (2.10) | .316 (8.03) | .260 (6.60) | .170 (4.32) | .60 (15.3)     |
| NOTE 5                  | NOTE 5                   | NOTE 5                 | BB-2216X              | AQUA (B)      | 16-14             | .205x.032 (5.21x0.81) | .016 (0.4)         | .86 (21.8)  | .083 (2.10) | .316 (8.03) | .260 (6.60) | .170 (4.32) | .60 (15.3)     |
| 190030053               | 190030054                | 190030055              | BB-2207X              | BLUE          | 16-14             | .187x.020 (4.75x0.51) | .016 (0.4)         | .86 (21.8)  | .083 (2.10) | .316 (8.03) | .260 (6.60) | .170 (4.32) | .60 (15.3)     |
| 190030059               | 190030060                | 190030061              | BB-2208X              | AQUA (B)      | 16-14             | .187x.032 (4.75x0.81) | .016 (0.4)         | .86 (21.8)  | .083 (2.10) | .316 (8.03) | .260 (6.60) | .170 (4.32) | .60 (15.3)     |
| 190050010               | 190050014                | 190050015              | C-2265                | YELLOW        | 12-10             | .250x.032 (6.35x0.81) | .018 (0.5)         | 1.04 (26.4) | .150 (3.81) | .380 (9.66) | .275 (6.98) | .290 (7.37) | .51 (12.9)     |



CUSTOMER DRAWING

- MATERIAL: BRASS
- FINISH: ELECTRO-TIN PLATING
- INSULATION: NYLON
- MWID= MAXIMUM WIRE INSULATION DIAMETER
- CONSULT FACTORY FOR AVAILABILITY
- (B) PART IS ROHS COMPLIANT.

|  |                               |   |  |                                   |   |                              |                      |                        |
|--|-------------------------------|---|--|-----------------------------------|---|------------------------------|----------------------|------------------------|
| <b>REDRAW, COLOR CHGS</b><br>EC NO: WNA2008-0135<br>DRW: HETHRODAHL 2008/09/23<br>CHKD: JMACNEIL 2008/09/23<br>APPR: JMACNEIL 2008/09/25 | QUALITY SYMBOLS<br>▽=0<br>▽=0 | GENERAL TOLERANCES (UNLESS SPECIFIED)   |  | DIMENSION STYLE<br>IN/MM          |   | SCALE<br>---                 | DESIGN UNITS<br>INCH | THIRD ANGLE PROJECTION |
|  |                               | 4 PLACES ± --- ± ---<br>3 PLACES ± --- ± ---<br>2 PLACES ± --- ± ---<br>1 PLACE ± --- ± --- | mm INCH<br>± --- ± ---<br>± --- ± ---<br>± --- ± --- | DRAWN BY DATE<br>RCM 1994/06/17   | TITLE<br>FULLY INSULATED QUICK DISCONNECTS EXPANDED FLARE |                              |                      |                        |
|  |                               | ANGULAR ± ---°  |  | CHECKED BY DATE<br>JM 1994/06/17  | MOLEX MOLEX INCORPORATED                                  |                              |                      |                        |
|  |                               | DRAFT WHERE APPLICABLE MUST REMAIN WITHIN DIMENSIONS  |  | APPROVED BY DATE<br>FP 1994/06/17 |   | DOCUMENT NO.<br>SD-19003-006 |                      |                        |
| B  | REV                           | MATERIAL NO.<br>SEE CHART   |  | SHEET NO.<br>1 OF 1               |   |                              |                      |                        |