

**66,67,6805 SERIES**

**FEATURES**

- Type SMA Connectors Standard
- Options from DC to 18 GHz
- High Performance, Trough line Style Structure
- MIL Grade Materials and Processing
- -40 to + 125°C Operating Temperature Range

**SPECIFICATIONS**

Model	6605	6705	6805	6705K
Frequency Range (GHz)	DC-18	DC-18	DC-18	DC-26.5
Phase Shift, min (°/GHz)	40	40	40	40
Phase Shift, min (°/GHz/Shaft Turn)	1.5	1.5	1.5	1.5
Insertion Phase, nom at Min Phase Setting (°/GHz)	140	140	150	130
Number of Turns, min	26	26	26	26
VSWR max				
DC to 18 GHz	1.60	1.60	1.60	1.60
18 to 26.5 GHz	NA	NA	NA	2.00
Insertion Loss, max (dB)				
DC to 18 GHz	1.50	1.50	1.50	1.25
18 to 26.5 GHz	NA	NA	NA	1.75
Power				
Average (Watts)	100	100	100	100
Peak (Watts)	1000	1000	1000	1000
Time Delay, nom (nsec) @ Min Phase Setting	0.4	0.4	0.4	0.4
Connectors	SMA	SMA	SMA	K
Weight				
Ounces	2.5	3.75	3.0	3.75
Grams	71	106	85	106

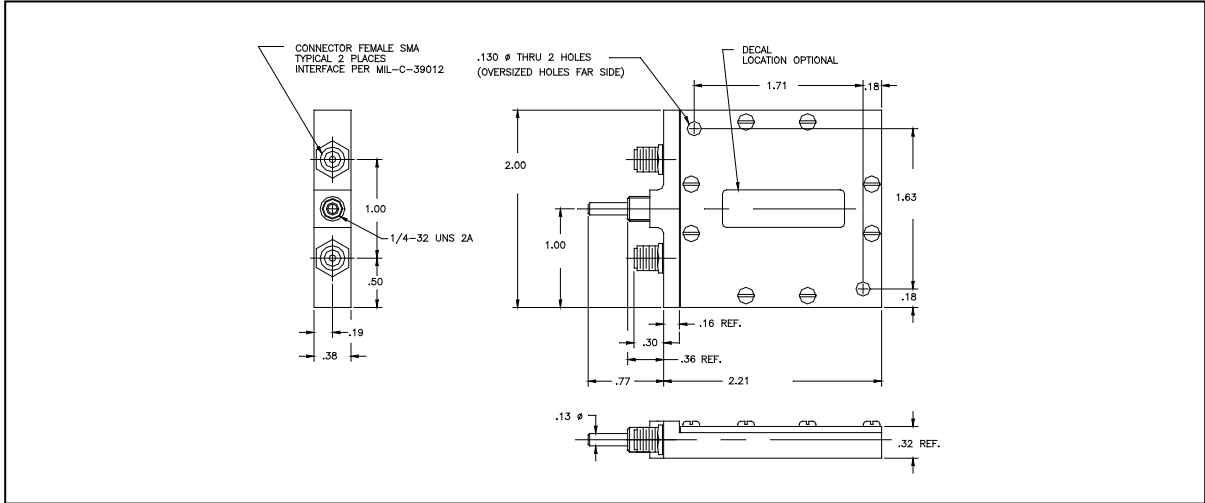
**NOTES:**

1. 1 Degree per GHz of Phase Shift equals 2.78 picoseconds of time delay.
2. Average and Peak Power are given at ambient temperature and altitude with Type SMA Connectors. Power is further limited by the power threshold level of selected connector style.

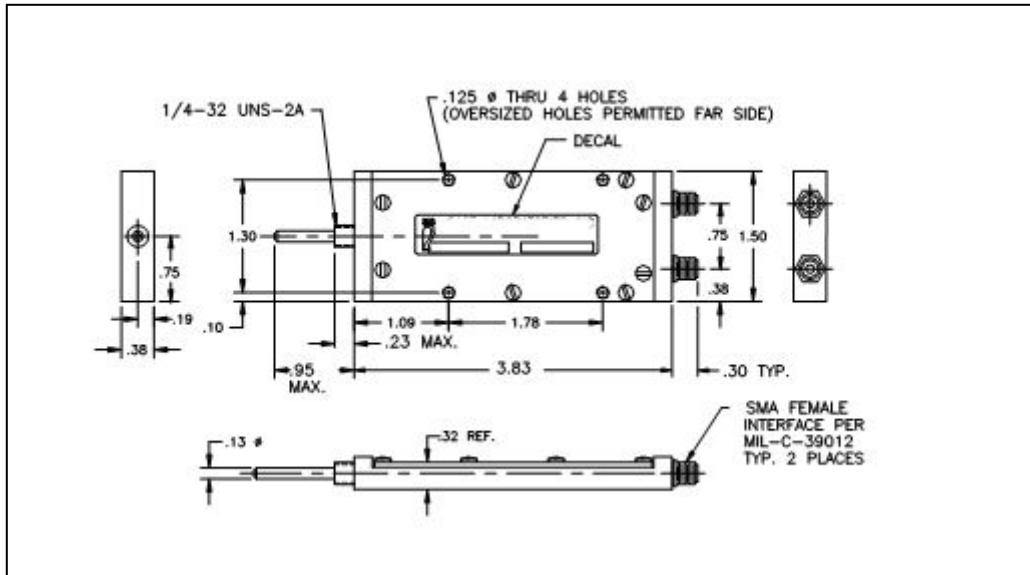


**OUTLINE DRAWINGS**

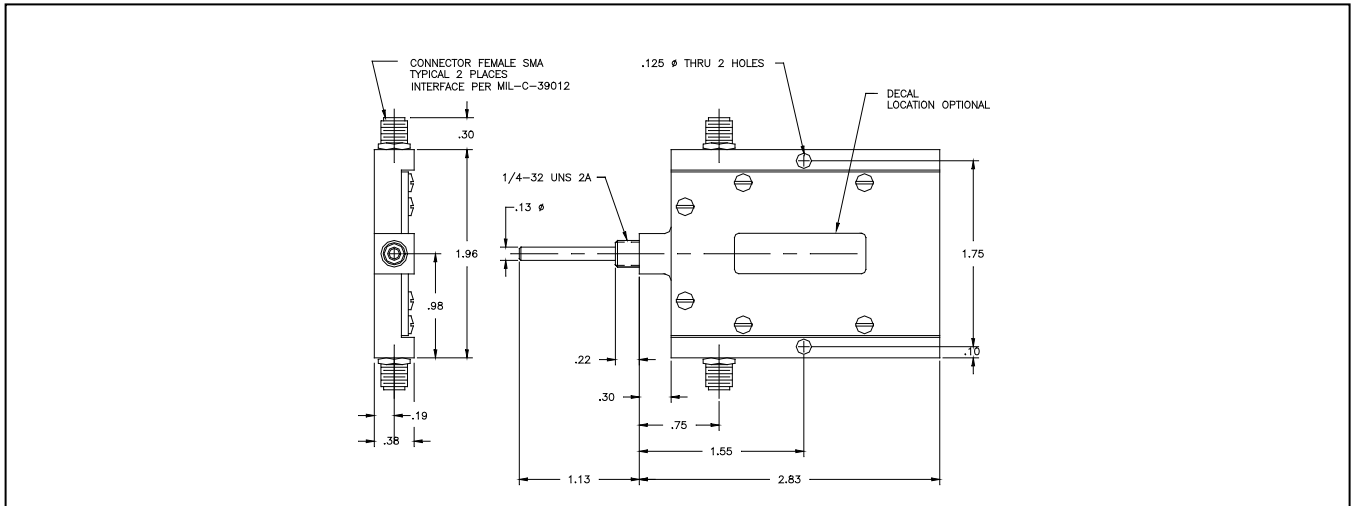
**MODEL 6605**



**MODELS 6705, 6705K**



**MODEL 6805**



**ORDERING INFORMATION**

**DRIVE SHAFT AND CONNECTOR OPTIONS:**

1. Only the following standard control options are available. The base model is available without additional options.
2. Add suffix as designated below to the ordering model number.

MODEL # PLUS	DESCRIPTION
-1	Shaft Lock
-2	Turns Counter With Built In Shaft Lock
-4	Screw Driver Slot
-5	Control Knob
-14	Shaft Lock With Screw Driver Slot
-15	Shaft Lock With Control Knob

(-1) SHAFT LOCK	(-2) TURNS COUNTER W/ SHAFT LOCK	(-5) CONTROL KNOB
		<p>D=0.5" L=0.65</p>

**MISCELLANEOUS:**

1. API Technologies "Standard Warranty and Order Terms and Conditions" apply to all orders.
2. All specifications subject to change without notice.
3. Check "Ordering and Availability Listing" for delivery and ordering information.
4. Contact our local Manufacturers Representative for pricing.

Specification Revision - 010813

