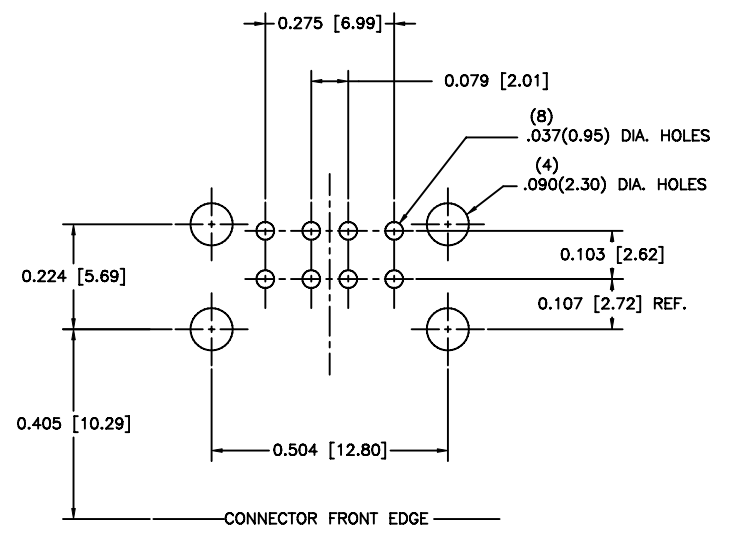
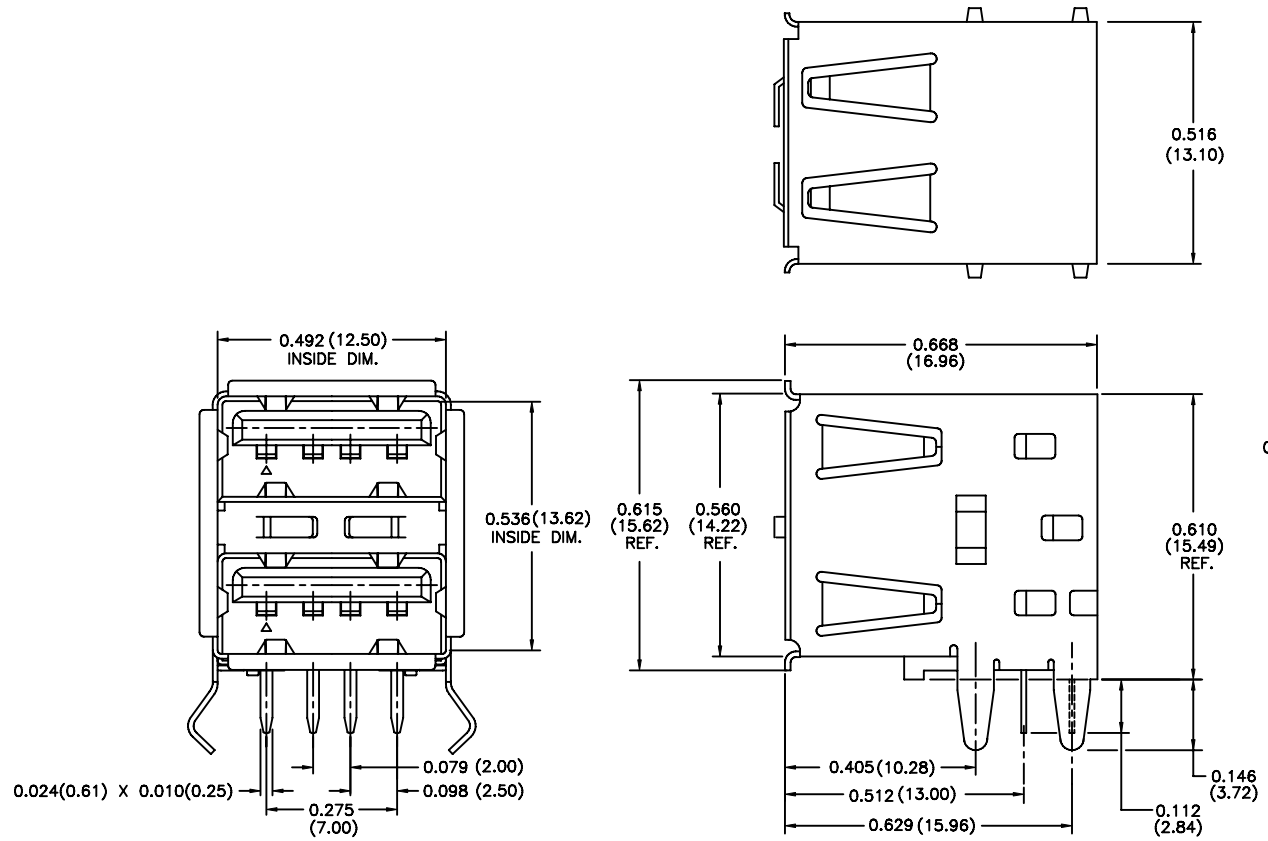


ISSUE NUMBER
ORIGINAL ①
RE-DWG AS PER LATEST INF. F.BRIONES OCT.21/09 ⑨



THIS SERIES FULLY CONFORMS TO THE EUROPEAN UNION DIRECTIVES 2002/95/EC AND 2002/96/EC FOR RoHS COMPLIANCY.

USB CONNECTOR A TYPE, RIGHT ANGLE, DOUBLE DECK	ACAD REFERENCE NO. 690-008-221-013
	DRAWN: F.BRIONES DATE: OCT.21/09
EDAC INC TORONTO, ONTARIO CANADA YOUR CONNECTION TO QUALITY & SERVICE	CHECKED: _____ DATE: _____
	SCALE: N.T.S. SHEET 1 OF 1
THESE DRAWINGS AND SPECIFICATIONS ARE THE PROPERTY OF EDAC INC. AND SHALL NOT BE REPRODUCED, OR COPIED OR USED AS THE BASIS FOR THE MANUFACTURE OR SALE OF APPARATUS WITHOUT WRITTEN PERMISSION.	DRAWING NUMBER 690-008-221-013 ISSUE 9