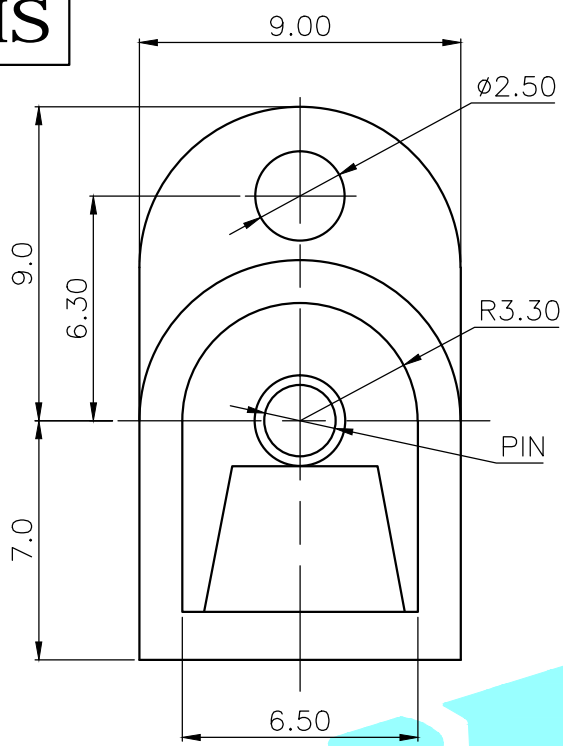
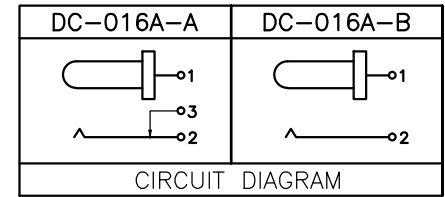
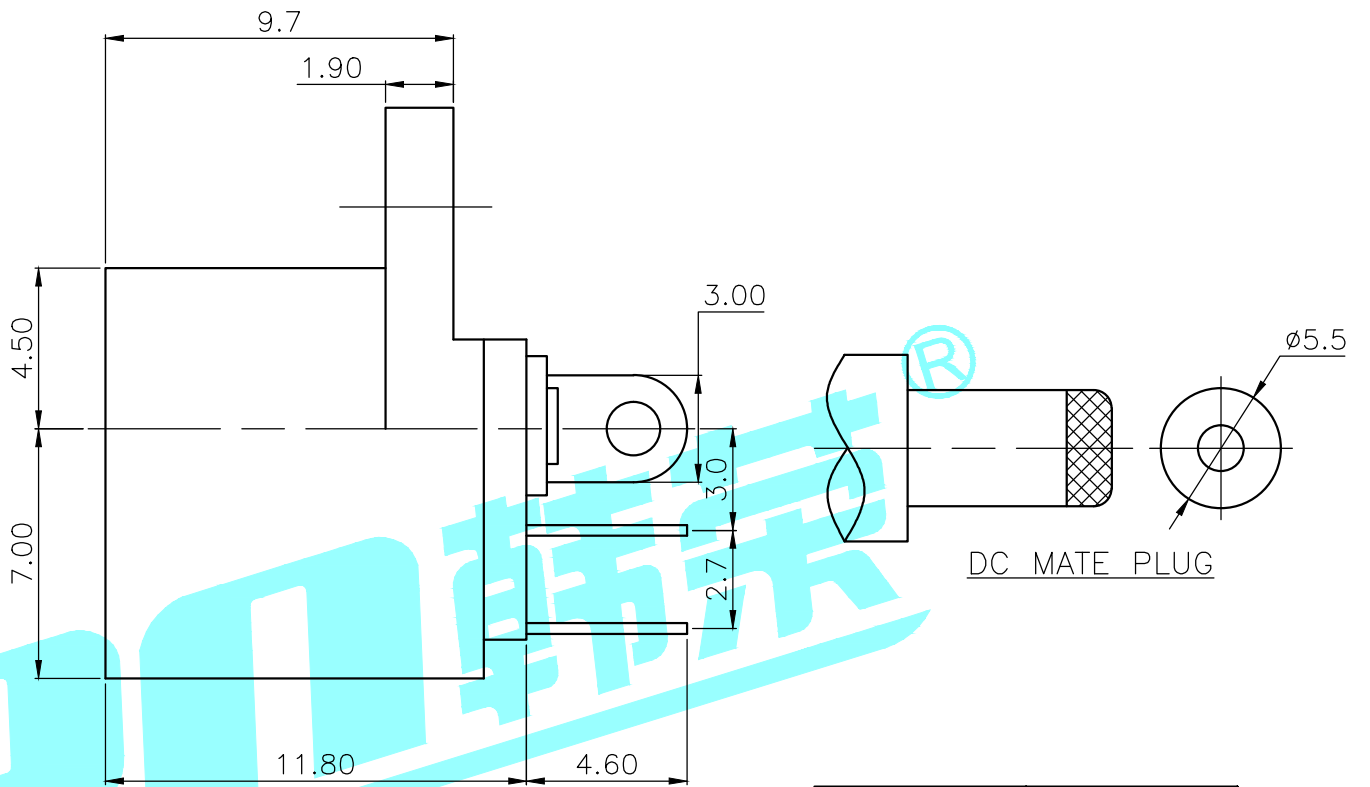
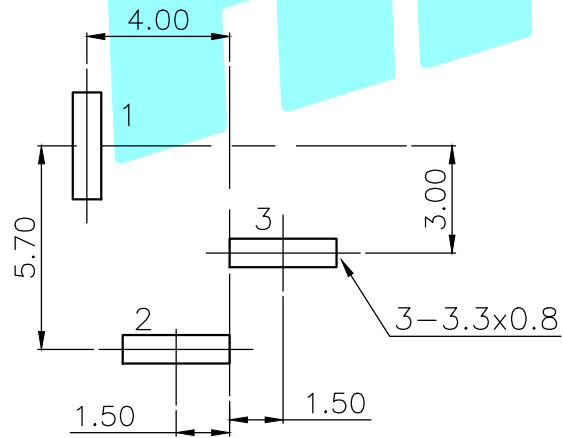


ROHS



P.C.B LAYOUT(top view)



Model No.	1	2	3
PIN	$\phi 2.0$	$\phi 2.35$	$\phi 2.5$

Rating:0.5A 30V DC
 Contact Resistance: 30 m Ω Min.
 Operating temperature:-20 $^{\circ}$ C~70 $^{\circ}$ C
 Operating force:3-20N
 Operating Life:5,000cycles

②	Terminal	3	Brass	Sn Plating		
①	Housing	1	PA	Black		
ITEM	PART NAME	TER'NO.	QTY.	MATERIAL	FINISHING	REMARK
APPROVALS			DATE			
DRAWN	J.X.Zhang	2013/11/11				
CHECKED				TITLE:	PHONE JACKES	
APPROVALS				PART NO.	DC-016A	
TOLERANCES ARE	30~以上	± 0.30	ANGLE	UNIT: mm	SCALE: 1:1	PROJ:
	10~30	± 0.20				
	5~10	± 0.15				
	~ 5	± 0.10				
±2'	DRAWING NO.			SHEET	1 OF 1	

ECN NO.	REV.	DATE.	DESCRIPTION.	CHANGE.	CHECK.	APPRO.
	A		NEW			