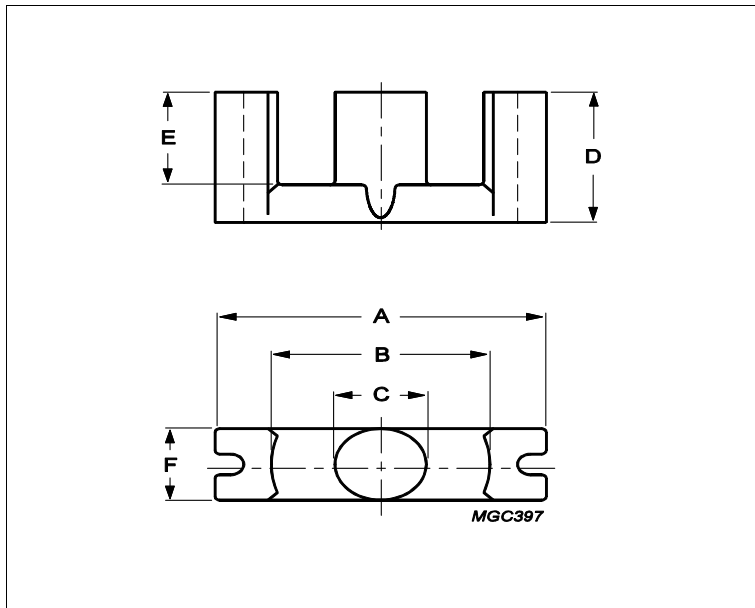


## Core **EC35/17/10**



Effective parameters			
	Parameter	Value	Unit
$\Sigma(I/A)$	core factor (C1)	0.918	mm <sup>-1</sup>
<b>Ve</b>	effective volume	6530	mm <sup>3</sup>
<b>Le</b>	effective length	77.4	mm
<b>Ae</b>	effective area	84.3	mm <sup>2</sup>
<b>Amin</b>	minimum area	71	mm <sup>2</sup>
<b>m</b>	EC35/17/10	≈ 19	g/pcs

Dimensions for product: EC35/17/10						
	Nom	Tol +	Tol -	Max	Min	Unit
<b>A</b>					35.30	mm
<b>B</b>	22.75	0.55	0.55	23.30	22.20	mm
<b>C</b>	9.50	0.30	0.30	9.80	9.20	mm
<b>D</b>	17.30	0.15	0.15	17.45	17.15	mm
<b>E</b>	12.30	0.40	0.40	12.70	11.90	mm
<b>F</b>	9.50	0.30	0.30	9.80	9.20	mm

Inductance factor				
Material	Value	Tol +	Tol -	Unit
3C91	3400	25%	25%	nH/turns <sup>2</sup>
3C94	2400	25%	25%	nH/turns <sup>2</sup>

Power loss: 3C91				
Measuring conditions			Max	Unit
100 kHz	200 mT	60 °C	3.300	W/set
Power loss: 3C94				
Measuring conditions			Max	Unit
100 kHz	200 mT	100 °C	3.300	W/set

Bsat					
Measuring conditions			Material	Min	Unit
25 kHz	250 A/m	100 °C	3C91	320	mT
25 kHz	250 A/m	100 °C	3C94	320	mT

Core **EC35/17/10**

Accessories		
Ordering name	Description	Ordering code
CLM/U-EC35	Clump, U shape with thread	432202127161
CP-EC35-1S	Coil former, termoplastic	432202103701
CSH-EC35-1S-11PD-A-Z	Coil former, termoset, horizontal	433506041451
PIN/H-EC	Insertable pins, horizontal	432202103741
PIN-EC	Insertable pins	432202103751