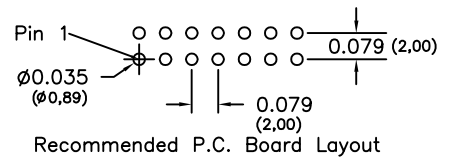
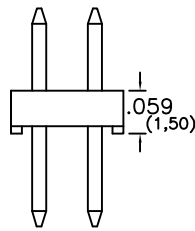
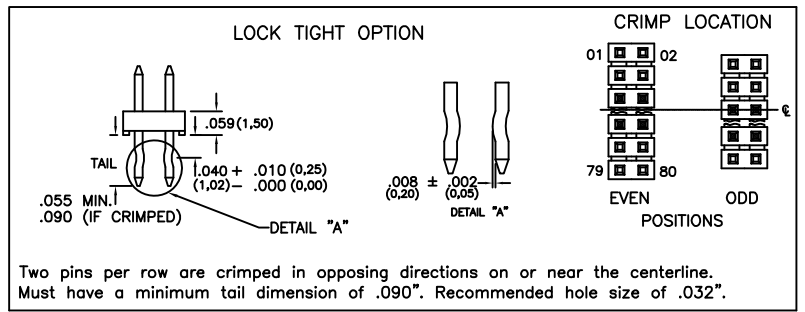
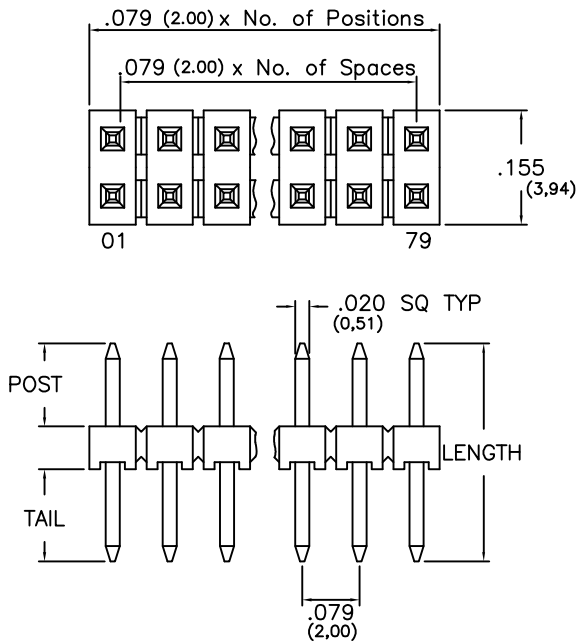


# Major League Electronics .079 cl Terminal Strip Headers - Straight



Tails may be clipped to achieve desired pin length

## Ordering Information

TSHS-2 [X] - [D] - [X] - [X] - [X] - [X] - LF

Pins Per Row: 01 - 40  
 Row Specification: D = Dual Row  
 Lead Free

Polarized Position: Leave blank if not needed. If required, specify empty pin position, e.g. 012 for Pin 12.  
 Lock Tight "LT" Option: Leave blank if not needed. LT = With

Pin Options		Post Height		Tail Length		
Length						
.323	8.20mm	.126	3.20mm	.138	3.51mm	02
		.146	3.71mm	.118	3.00mm	04
		.158	4.01mm	.106	2.70mm	06
.397	10.08mm	.126	3.20mm	.212	5.38mm	08
		.146	3.71mm	.192	4.88mm	10
		.158	4.01mm	.180	4.57mm	12
.417	10.59mm	.126	3.20mm	.232	5.89mm	14
		.146	3.71mm	.212	5.38mm	16
		.158	4.01mm	.200	5.08mm	18
.555	14.10mm	.126	3.20mm	.370	9.40mm	20
		.146	3.71mm	.350	8.90mm	22
		.158	4.01mm	.338	8.59mm	24
.575	14.61mm	.126	3.20mm	.390	9.91mm	26
		.146	3.71mm	.370	9.40mm	28
		.158	4.01mm	.358	9.09mm	30

Plating Options	
G	10µ Gold on Contact Area / Flash on Tail
T	Matte Tin All Over
GT	10µ Gold on Contact Area / Matte Tin on Tail
H	30µ Gold on Contact Area / Matte Tin on Tail
F	Gold Flash over Entire Pin

## Specifications

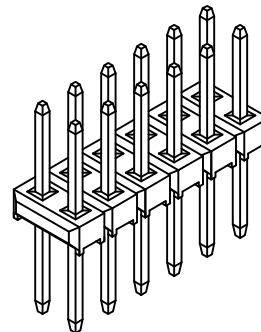
Current Rating: 3.0 Ampere  
 Insulation Resistance: 1000MΩ Min.  
 Dielectric Withstanding: 500V AC  
 Contact Resistance: 20 mΩ Max.  
 Operating Temperature: -40°C to + 105°C  
 Max. Process Temperature:  
 Peak: 260°C up to 10 secs.  
 Process: 230°C up to 60 secs.  
 Wave: 260°C up to 6 secs.  
 Manual Solder: 350°C up to 5 secs.

## Materials

Contact Material: Phosphor Bronze  
 Insulator Material: Nylon 6T  
 Plating: Au or Sn over 50µ" (1,27) Ni

Products cut to specific sizes are uncancellable/nonreturnable

Parts are subject to change without notice



Mates with:  
 BCSS,  
 BSSH,  
 BSSHC,  
 BSSQ,  
 BSSQC,  
 BSSQM,  
 LSMBC,  
 LSSHSM,  
 SMBC,  
 SSHQ,  
 SSHQR,  
 SSHR,  
 SSHS,  
 SSHSM,  
 ULSMBC

TSHS-2-D SERIES

.079cl Dual Row - Straight  
 Terminal Strip Headers

21 FEB 07

Scale  
 NTS

UNLESS OTHERWISE SPECIFIED  
 DIMENSIONS IN INCHES (MM)  
 TOLERANCES ARE:

ONE PLACE DECIMALS ±.100  
 TWO PLACE DECIMALS ±.010  
 THREE PLACE DECIMALS ±.005  
 FOUR PLACE DECIMALS ±.0020

ANGLES  
 ±3°



4235 Earnings Way, New Albany, Indiana, 47150, USA  
 1-800-782-3486 (USA/Canada/Mexico)  
 Tel: 812-944-7244  
 Fax: 812-944-7268  
 E-mail: mle@mlelectronics.com  
 Web: www.mlelectronics.com

Edition  
 1

Sheet  
 1/1