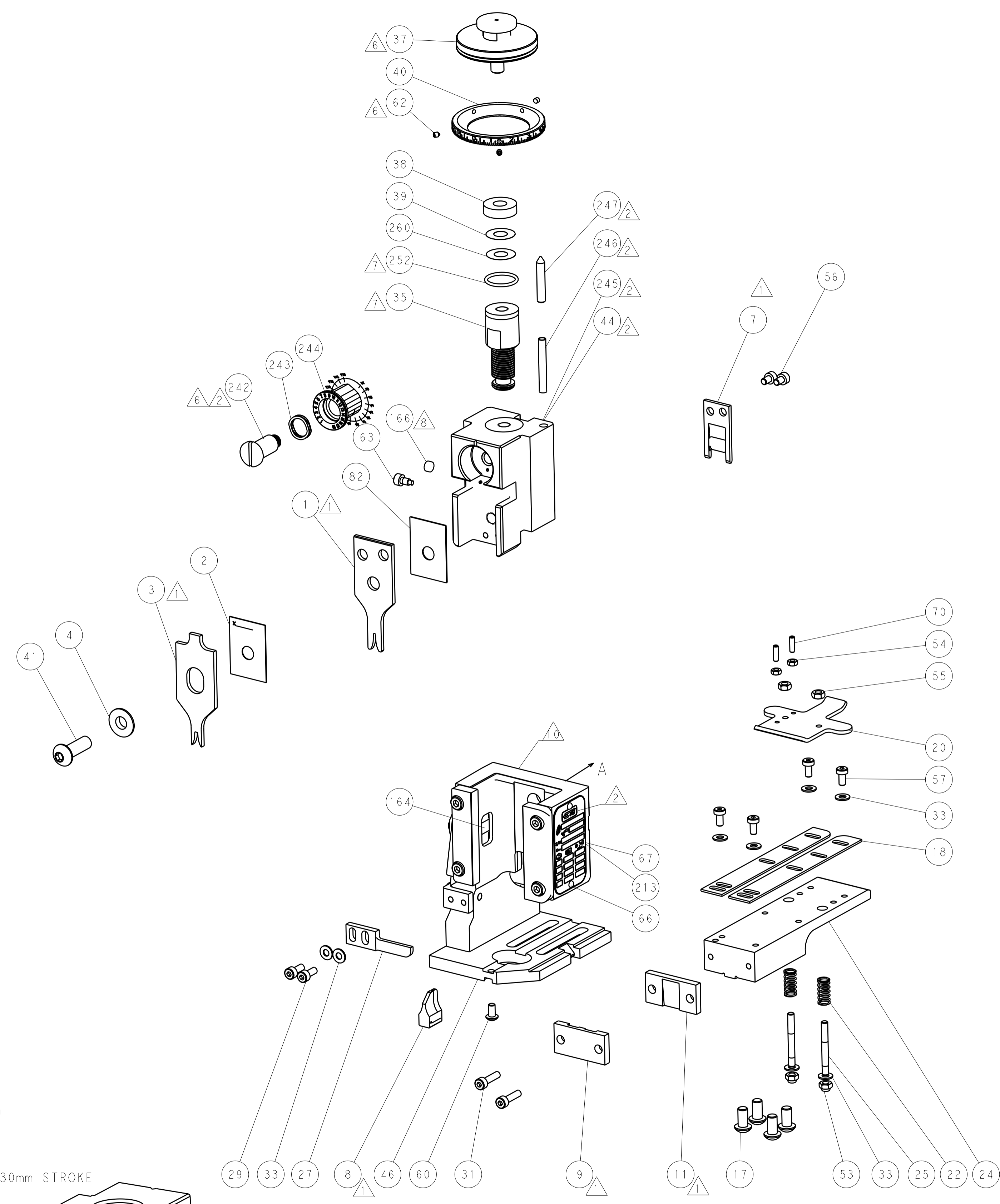
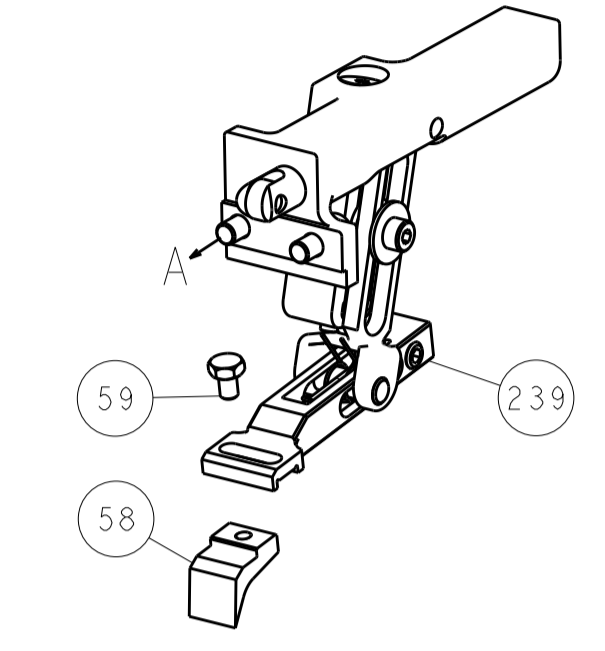


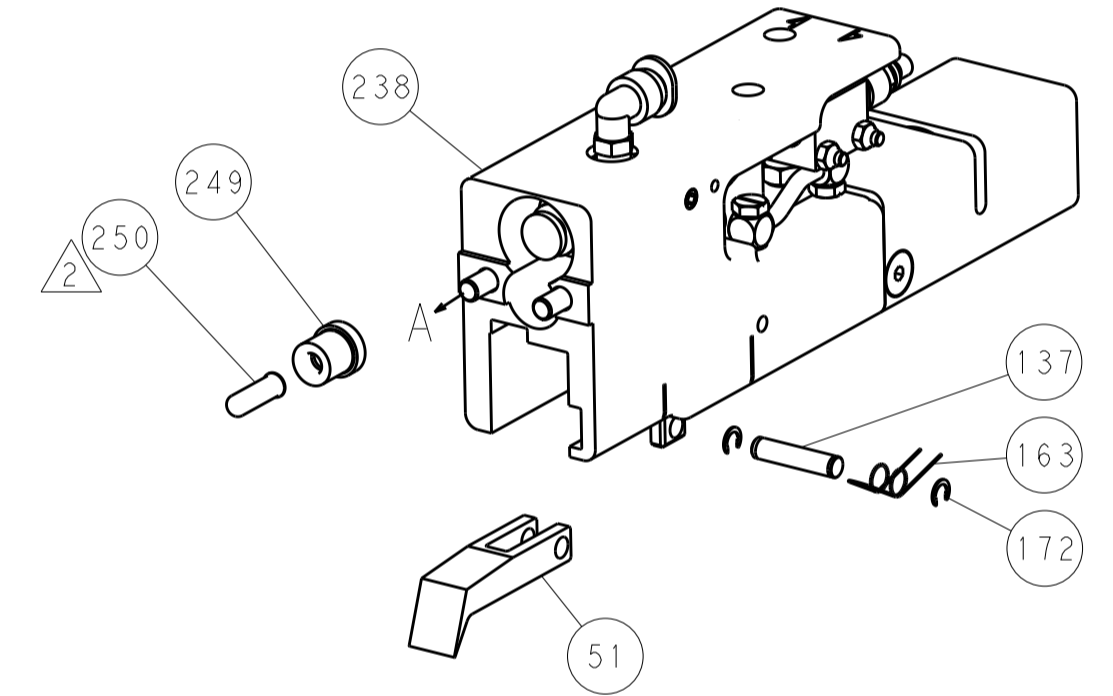
LOC		DIST		REVISIONS			
A	66	P	LTM	DESCRIPTION	DATE	OWN	APVD
		-		SEE SHEET 1			



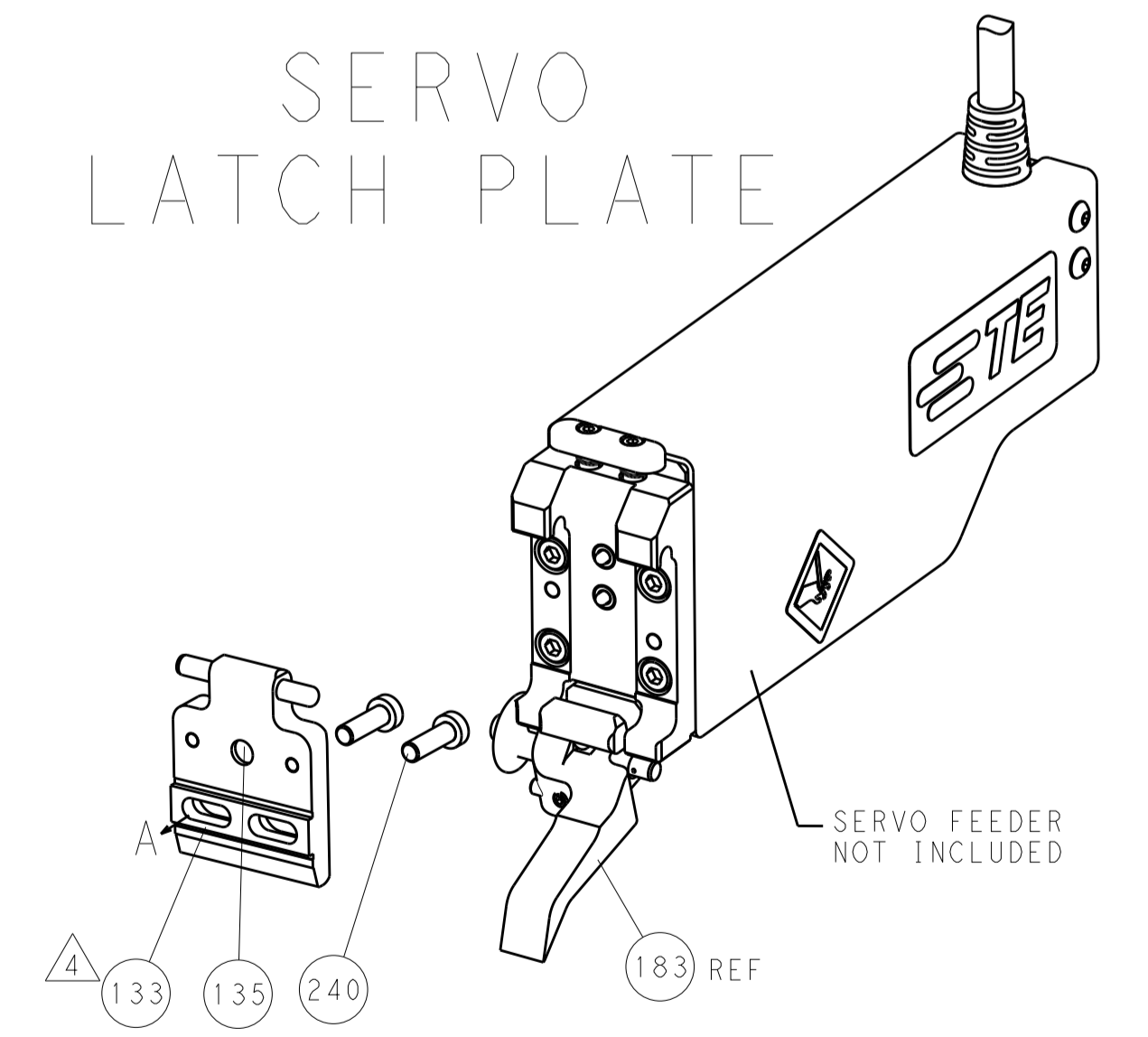
FEED TYPE
MECHANICAL



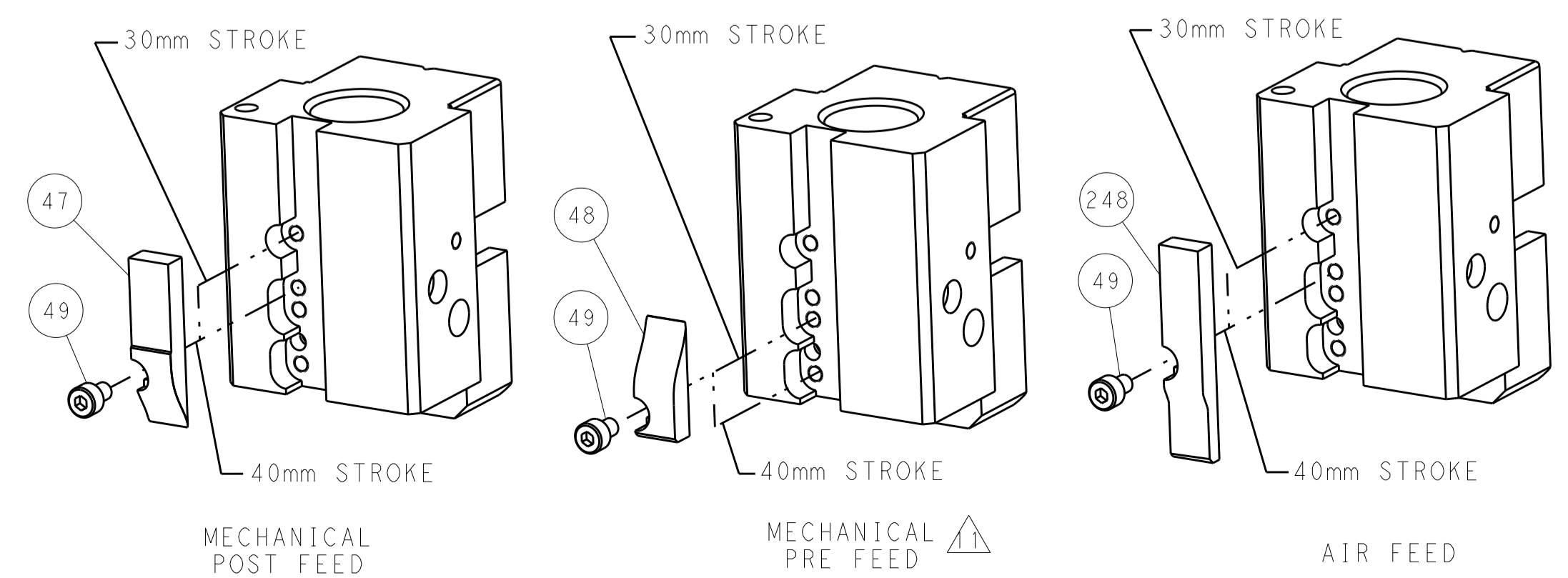
PNEUMATIC



SERVO
LATCH PLATE



CAM POSITIONS

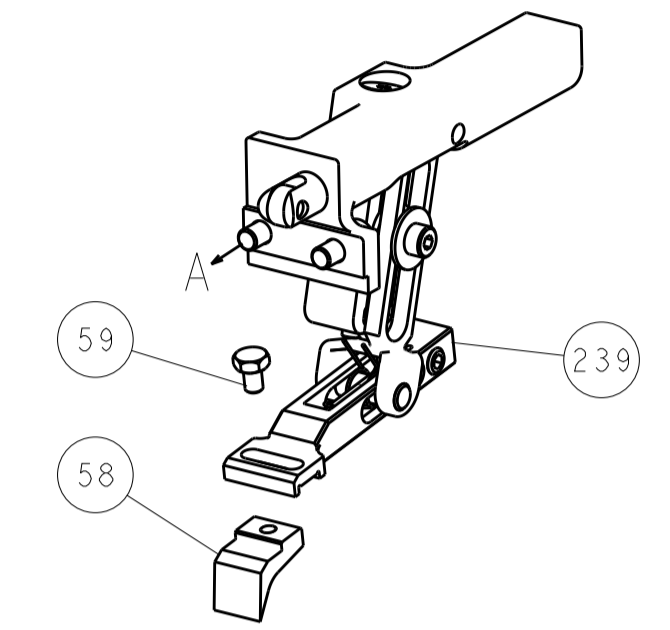


ATLANTIC VERSION
 Shown on sheets 1 of 4 & 2 of 4
 (Pacific version shown on sheets 3 of 4 & 4 of 4)

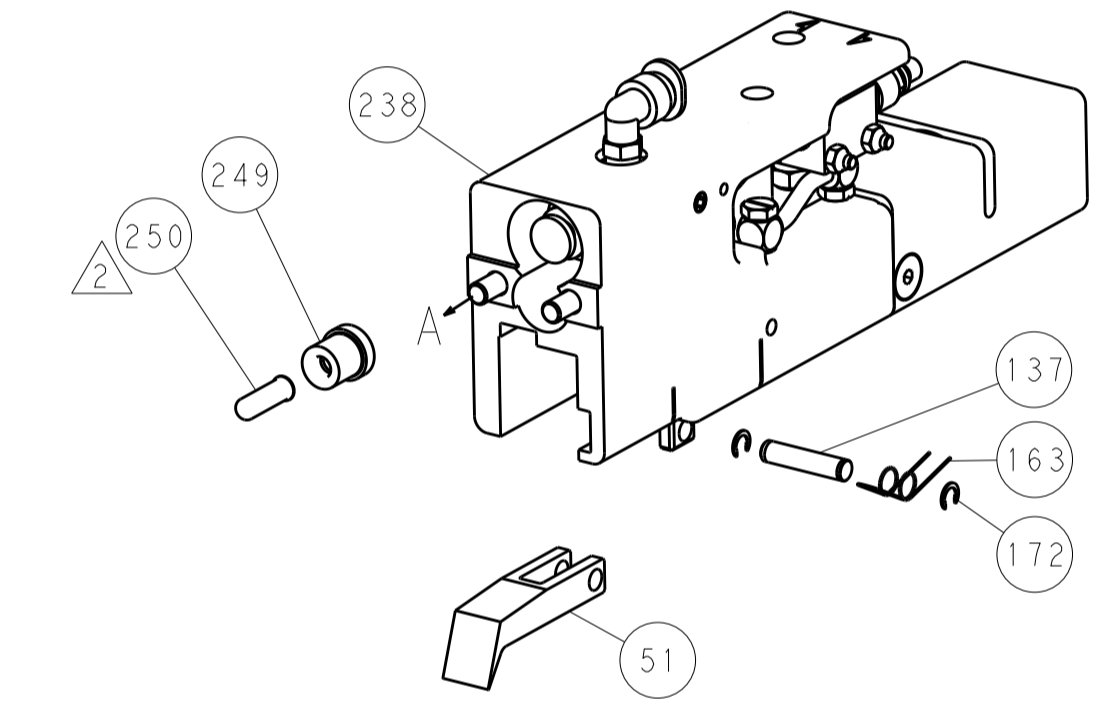
DIMENSIONS:		TOLERANCES UNLESS OTHERWISE SPECIFIED:		DWN: C. MOYER 15NOV2011		TE Connectivity	
mm		0 PLC ±0.5		CHK: G. BAILEY 15NOV2011		Harrisburg, PA 17105-3608	
Ø		1 PLC ±0.13		APP'D: G. BAILEY 15NOV2011		NAME: Ocean End Feed Applicator	
H		2 PLC ±0.013		PRODUCT SPEC		SIZE: CAGE CODE DRAWING NO	
ANGLES		3 PLC ±0.001		APPLICATION SPEC		RESTRICTED TO	
FINISH		4 PLC ±0.001		WEIGHT		A1 00779 ©=2150236	
MATERIAL		5 PLC ±0.001		CUSTOMER ACCESSIBLE PRODUCTION DRAWING		SCALE: 1:1 SHEET 2 OF 4 REV B	

LOC	DIST	REV	DATE	BY	APPV
A	66				

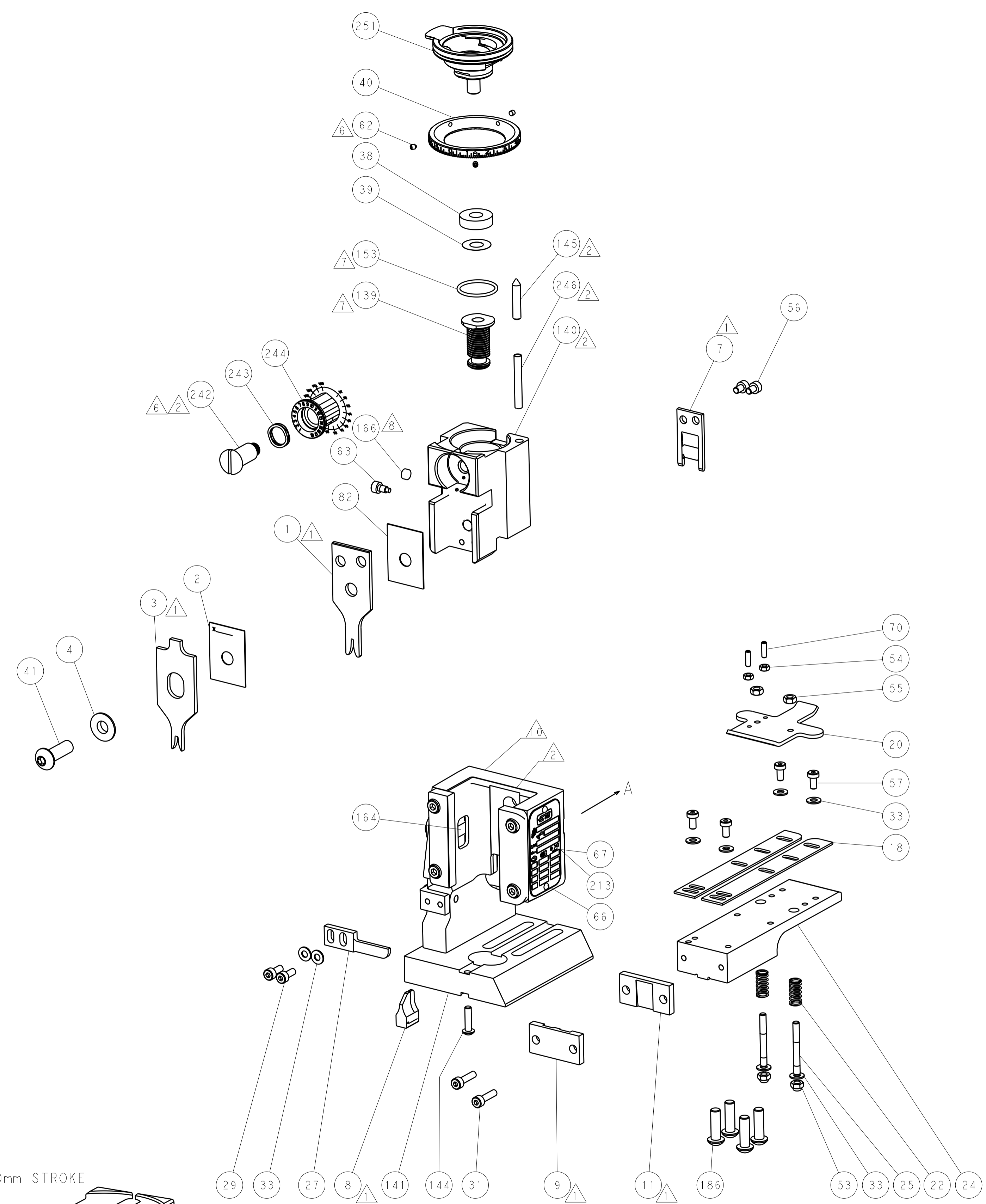
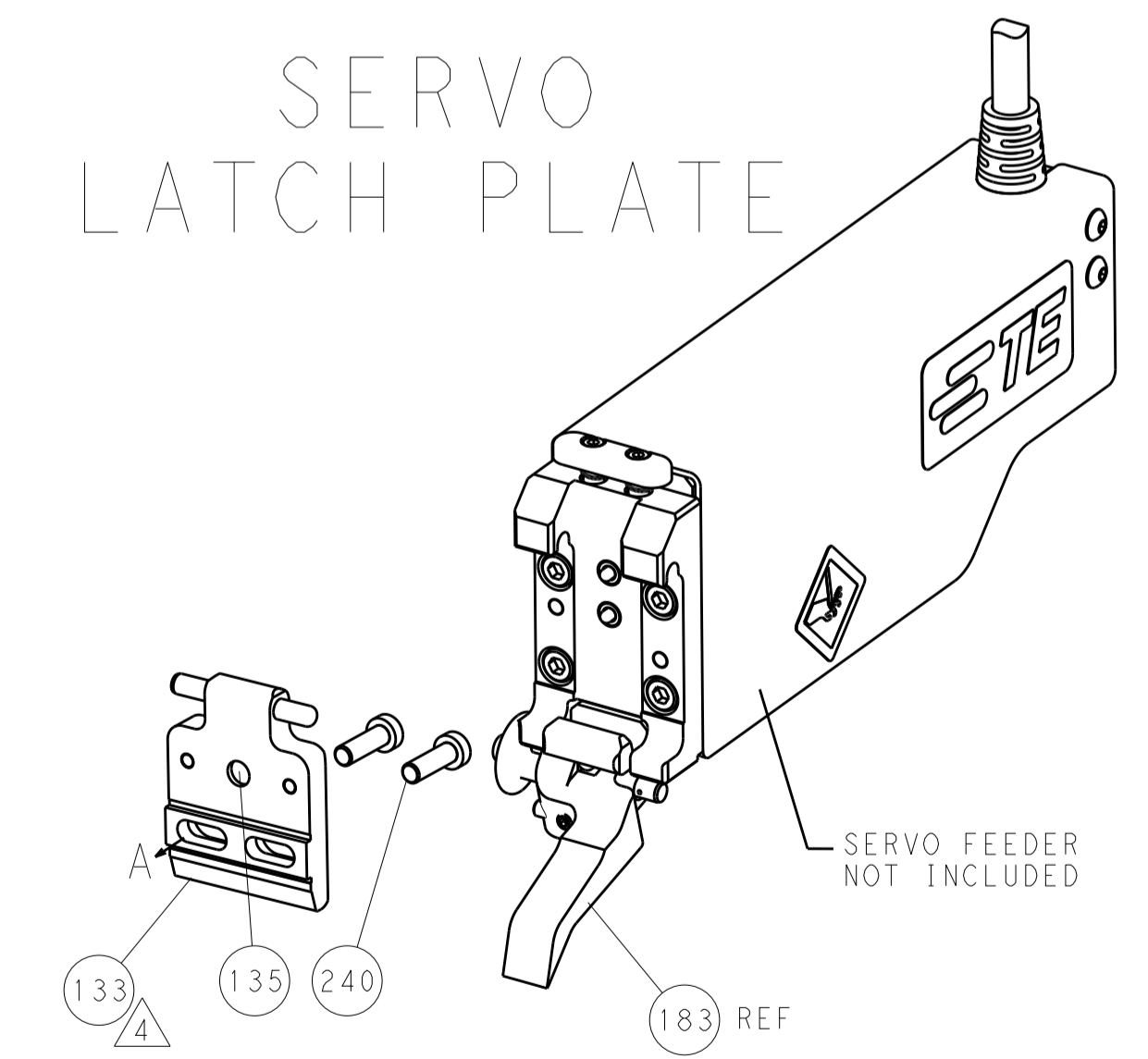
FEED TYPE MECHANICAL



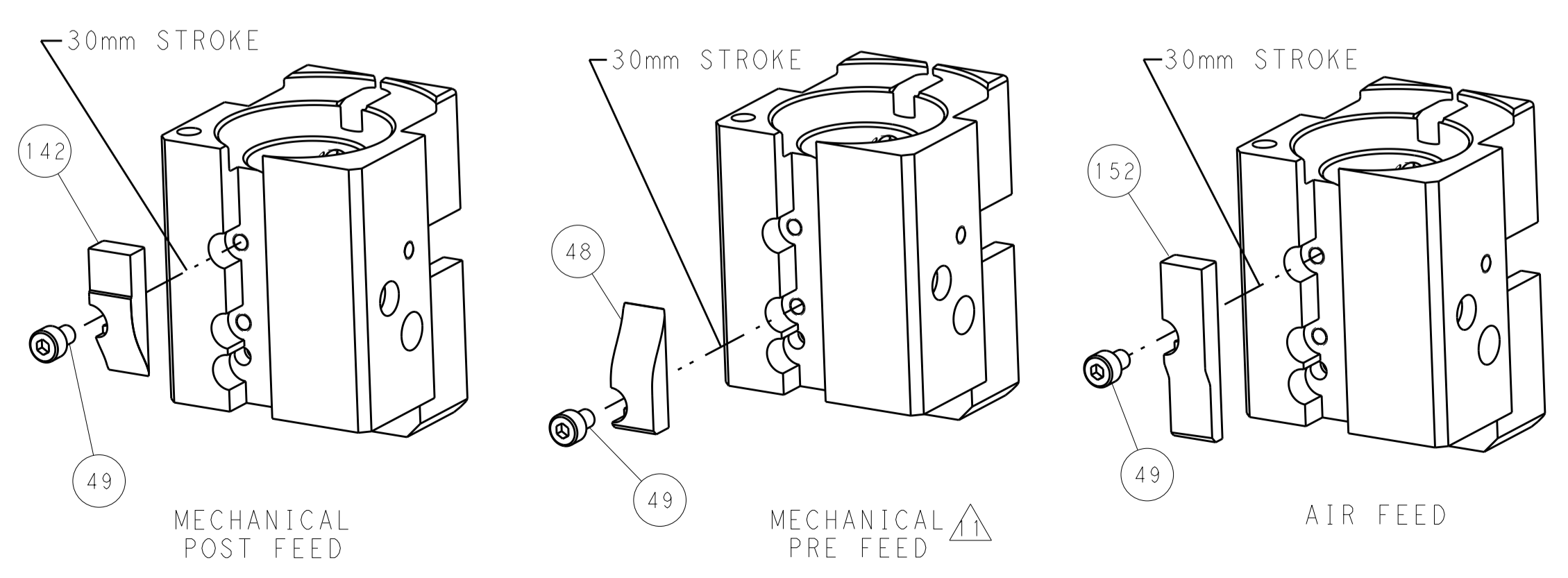
PNEUMATIC



SERVO LATCH PLATE



CAM POSITIONS



PACIFIC VERSION
 Shown on sheets 3 of 4 & 4 of 4
 (Atlantic version shown on sheets 1 of 4 & 2 of 4)

DIMENSIONS: mm 		TOLERANCES UNLESS OTHERWISE SPECIFIED: 0 PLC ±.5 1 PLC ±.13 2 PLC ±.13 3 PLC ±.013 4 PLC ±.001 ANGLES ±.1		DWN L.C. MOYER 15NOV2011 CHK G. BAILEY 15NOV2011 APVD G. BAILEY 15NOV2011		NAME Ocean End Feed Applicator	
MATERIAL:		FINISH:		WEIGHT:		SIZE: CAGE CODE DRAWING NO. RESTRICTED TO A1 00779 C=2150236	
CUSTOMER ACCESSIBLE PRODUCTION DRAWING				SCALE: 1:1		SHEET 4 OF 4 REV B	