

PLEASE CHECK WWW.MOLEX.COM FOR LATEST PART INFORMATION

Part Number: [0019092069](#)
Status: **Active**
Overview: [standard_093](#)
Description: 2.36mm (.093") Diameter Standard .093" Pin and Socket Plug Housing With Positive Latch, UL 94V-2, 6 Circuits

Documents:

[3D Model](#) [Drawing \(PDF\)](#)
[Packaging Specification \(PDF\)](#) [RoHS Certificate of Compliance \(PDF\)](#)

Agency Certification

CSA LR19980
TUV R72081037
UL E29179

General

Product Family Crimp Housings
Series [3191](#)
Comments Polarized to Mating Part, Without Mounting Ears
Overview [standard_093](#)
Product Name Standard .093"

Physical

Breakaway No
Circuits (maximum) 6
Circuits Detail 2x3
Color - Resin Natural
Flammability 94V-2
Gender Dual
Glow-Wire Compliant No
Keying to Mating Part None
Lock to Mating Part Yes
Material - Resin Nylon
Number of Rows 2
Packaging Type Bag
Panel Mount No
Pitch - Mating Interface (in) 0.264 In
Pitch - Mating Interface (mm) 6.71 mm
Polarized to Mating Part Yes
Stackable No
Temperature Range - Operating -40°C to +105°C

Electrical

Current - Maximum per Contact 9A

Material Info

Old Part Number 3191-6P1

Reference - Drawing Numbers

Sales Drawing SD-3191-6*

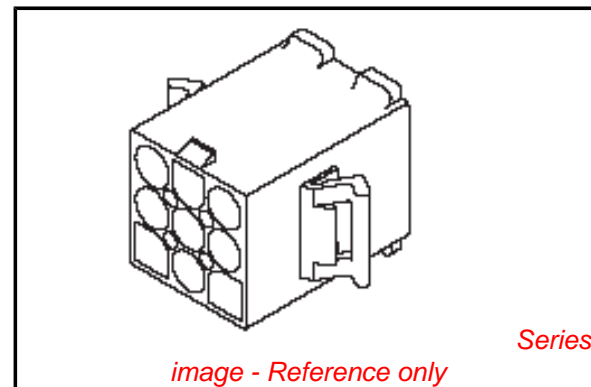


image - Reference only

EU RoHS

**ELV and RoHS
Compliant
REACH SVHC
Not Reviewed
Halogen-Free
Status
Not Reviewed**

China RoHS



Need more information on product environmental compliance?

Email productcompliance@molex.com
For a multiple part number RoHS Certificate of Compliance, [click here](#)

Please visit the [Contact Us](#) section for any non-product compliance questions.

Search Parts in this Series

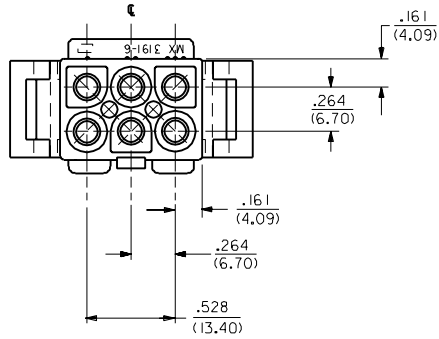
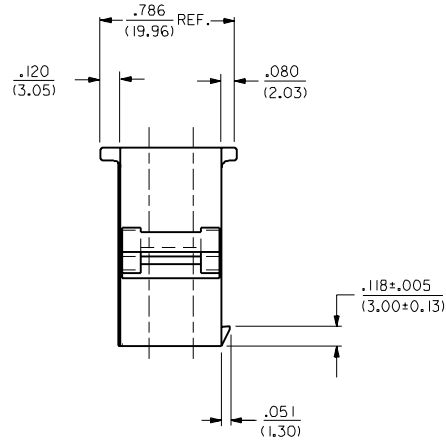
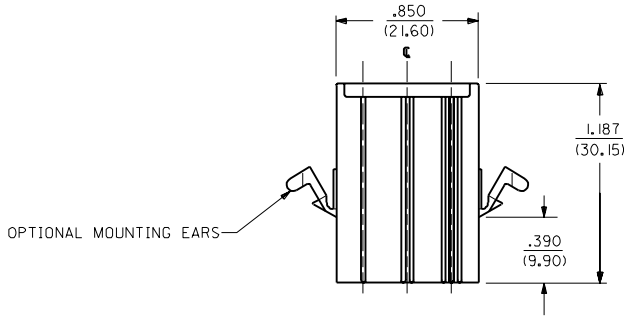
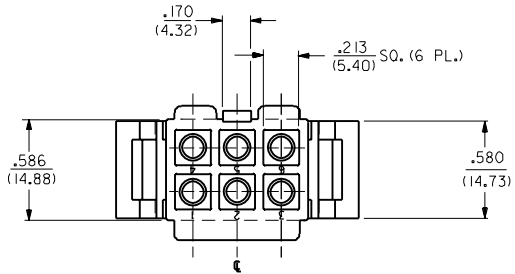
[3191Series](#)

Mates With

[3191](#) Pin and Socket Rectacle, [5219](#) Vertical PCB Header

Use With

[1189](#) Crimp Terminals, [1190](#) Crimp Terminals, [1380](#) Male Crimp Terminals, [1381](#) Female Crimp Terminals, [1433](#) Crimp Terminals, [1434](#) Male Crimp Terminals, [2605](#) , [2606](#) , [1973](#) , [2151](#) , [2273](#) , [2870](#) , [2871](#) , [4272](#) , Lin



PLUG

MI	ADD RAMP LENGTH ECN #U4 0293 3-1-94 RW
M	REVISED PER ECR # U90659 KBW 07-25-89 RW
L	ADDED STANDOFFS PER ECR UB 2271 GEP 11-30-88 RW
K	REV. & FINAL REL. ECR UB 1710 GEP 7-14-88 RW
J	REVISED & REDRAWN PER ECR UB 0122 2-2-88 SCHAFFER
MFG.	SH. REV. LTR. REVISIONS

DIMENSIONS SHOWN METRIC (INCH)		▽ = 0	▼ = 0	REVISE ONLY ON CAD SYSTEM
UNLESS OTHERWISE SPECIFIED TOLERANCES ANGULAR ± 0° 10'		TITLE		
INCH METRIC		.093/(2.36) HOUSING PLUG AND RECEPTACLE 6 CKT. .264/(6.70) CTRS.		
3 PLACE ± .010	---	MOLEX INCORPORATED SHEET NO. DATE L15LEJLL. 60532 U.S.A. 1 OF 3 1/25/88		
2 PLACE ± .014	± 0.25	PART NO. DRWG. NO. SEE CHART SD-3191-6*		
1 PLACE ---	± 0.36	DRWG. BY JJS CHKD. BY RW FILE NAME S31916.X1 APP'D. RAS SCALE 2 : 1		
DRAFT WHERE APPLICABLE MUST REMAIN WITHIN DIMENSIONS		THIS DRAWING CONTAINS INFORMATION THAT IS PROPRIETARY TO MOLEX INC. AND SHOULD NOT BE USED WITHOUT WRITTEN PERMISSION.		

PLUG		RECEPTACLE	
PART NO.	ENG. NO.	PART NO.	ENG. NO.
19-09-2068	3191-6P	19-09-1069	3191-6R1
19-09-2069	3191-6P1	19-09-1066	3191-6R1-201
19-09-2067	3191-6P-201	19-09-6060	3191-6R IRD
19-09-2066	3191-6P1-201	19-09-6069	3191-6R IBK
19-09-7069	3191-6PRD		
19-09-7068	3191-6PBK		

RECEPTACLE		PLUG	
PART NO.	ENG. NO.	PART NO.	ENG. NO.
19-09-1069	3191-6R1	19-09-2068	3191-6P
19-09-1066	3191-6R1-201	19-09-2069	3191-6P1
19-09-6060	3191-6R IRD	19-09-2067	3191-6P-201
19-09-6069	3191-6R IBK	19-09-2066	3191-6P1-201
		19-09-7069	3191-6PRD
		19-09-7068	3191-6PBK

LEGEND:

3191-6****-*

CIRCUIT SIZE →

P = PLUG

R = RECEPTACLE

EARS: BLANK = WITH PREBENT EARS (PLUG ONLY)

I = WITHOUT EARS

COLOR: BLANK = NATURAL COLOR

AM=AMBER BK=BLACK BU=BLUE

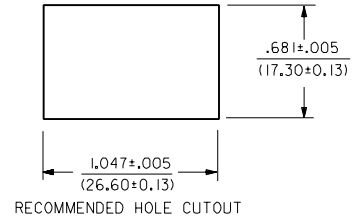
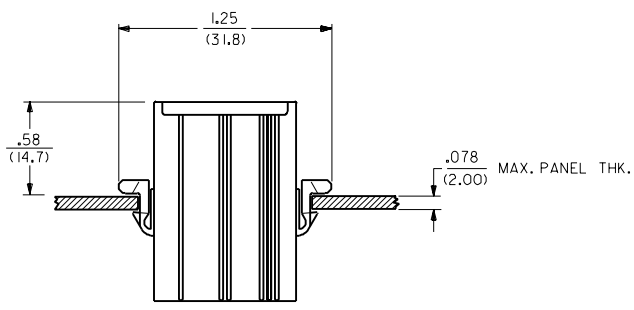
BN=BROWN GY=GRAY GN=GREEN

OR=ORANGE RD=RED YW=YELLOW

COLORS AVAILABLE ONLY IN 94V-2 MATERIAL

MATERIAL: BLANK=NYLON TYPE 6/6, 94V-2

201=NYLON TYPE 6/6, 94V-0



MOUNTING HOLE DETAIL

3191

DIMENSIONS SHOWN (METRIC) INCH		UNLESS OTHERWISE SPECIFIED TOLERANCES: ANGLES .015 ± DCP		REVISIONS ONLY ON CAD SYSTEM	
3 PLACE	± .010	---		TITLE	
2 PLACE	± .014	± 0.25		.093/(2.36) HOUSINGS	
1 PLACE	---	± 0.36		PLUG AND RECEPTACLE	
DRAFT WHERE APPLICABLE MUST REMAIN WITHIN DIMENSIONS				6 CKT., .264/(6.70) CTRS.	
DRWG. BY	JUS	CHK'D. BY	RW	MOLEX INCORPORATED	SHEET NO. 3
APP'D. BY	RAS	SCALE	--:--	MOLEX INC. U.S.A.	DATE 1/22/88
LTR.	REVISIONS	LTR.	REVISIONS	SEE CHART	DRWG. NO. SD-3191-6*