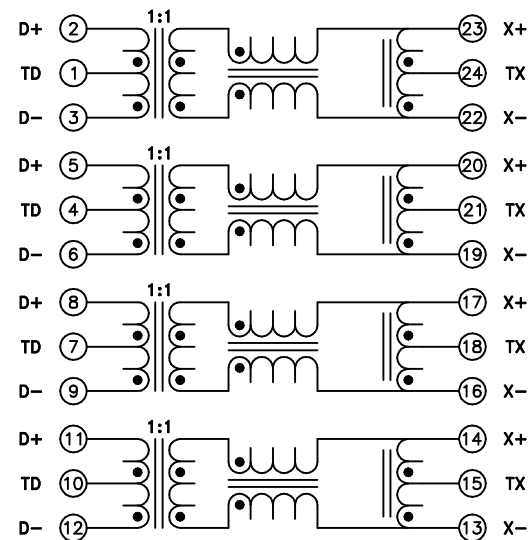
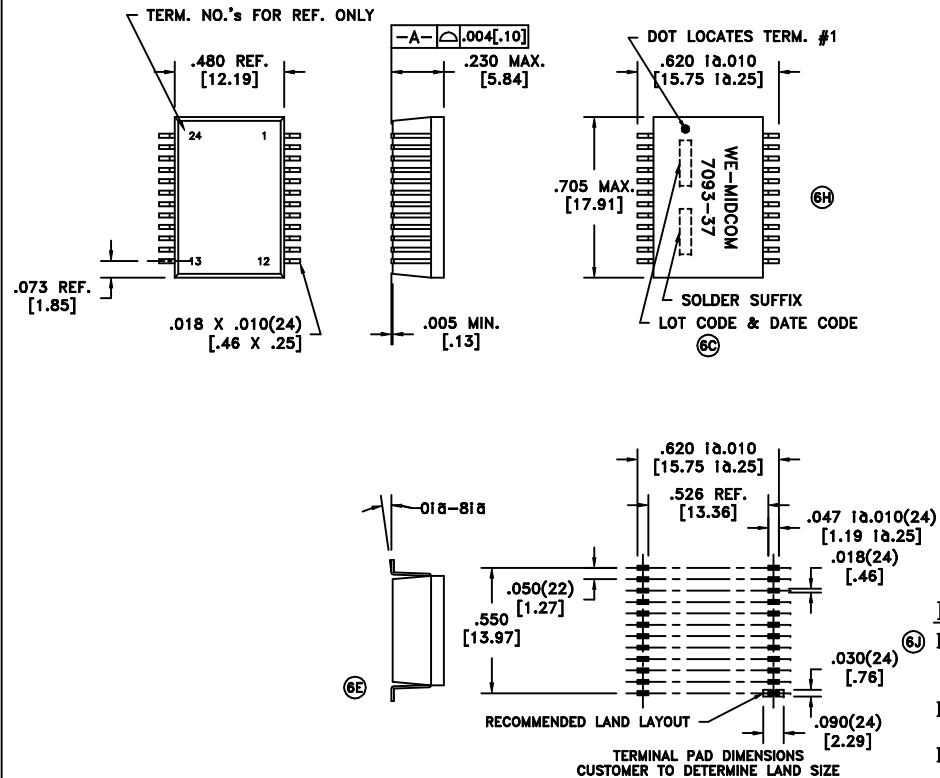


SOLDER SUFFIX	CUSTOMER TERMINAL	RoHS	LEAD(Pb)-FREE	6C
LF1	Sn96%, Ag4%	Yes	No	



ELECTRICAL SPECIFICATIONS @ 25°C unless otherwise noted:

- D.C. RESISTANCE (@20°C):** 2-3; 5-6; 8-9; 11-12, 1.0 Ohms max..
23-22; 20-19; 17-16; 14-13, 0.80 Ohms max..
- INDUCTANCE:** 350uH min., 100kHz, 100mV, 8mADC, 23-22; 20-19; 17-16; 14-13, Lp.
- DIELECTRIC RATING:** 1500Vrms, 1 minute tested by applying 1800Vrms for 1 second between 1-24(tie 1+4+7+10, 15+18+21+24).
- TURNS RATIO & POLARITY:**
(2-3):(23-22) = 1:1, ±2%.
(5-6):(20-19) = 1:1, ±2%.
(8-9):(17-16) = 1:1, ±2%.
(11-12):(14-13) = 1:1, ±2%.
- INSERTION LOSS:** -1.0dB max., 300k - 100MHz.
- RETURN LOSS:**
-18dB min., 500k - 40MHz.
-15dB min., 40M - 60MHz.
-12dB min., 60M - 80MHz.
-10dB min., 80M - 100MHz.
- CROSSTALK:** -35dB min., 300k - 100MHz.
- CMRR:**
-42dB min., 300k - 32MHz.
-33dB min., 32M - 100MHz.
- OPERATING TEMPERATURE RANGE:** -40°C to +85°C.
- COPLANARITY:** All 24 terminals must lie on a plane within .004 [.10] of Surface A after lead tinning.

REV.	DATE	Packaging Specifications	<p>CONVENTION PLACEMENT</p>
PR6K	5/10	Method: Tape & Reel	
6J	4/10	PKG-0363	
6H	9/07	www.midcom-inc.com	
6G	1/07	REVISIONS: SEE SHEET 1	

Tolerances unless otherwise specified:
 Angles: ±1° Decimals: ±.005 [.13]
 Fractions: ±1/64 Footprint: ±.005 [.13]

This drawing is dual dimensioned. Dimensions in brackets are in millimeters.

DRAWING TITLE
TRANSFORMER
PDFP-G24

eiSos p/n: 749020013

PART NO.	000-7093-37R-LF1
SHEET 2 OF 10	