

CSRS065V0-G

Working Voltage: 5Volts
RoHS Device



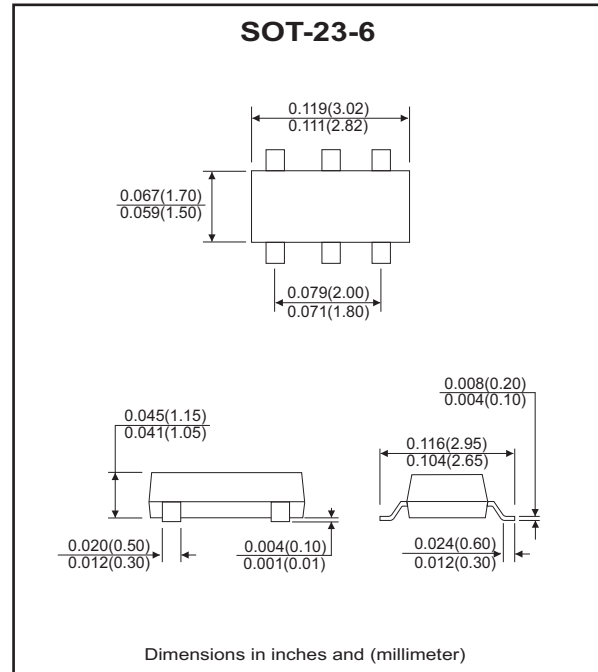
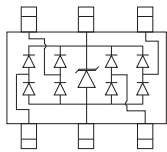
Features

- Fast Reverse Recovery Time.
- Fast Turn on Time.
- Low Capacitance SMD Packages.

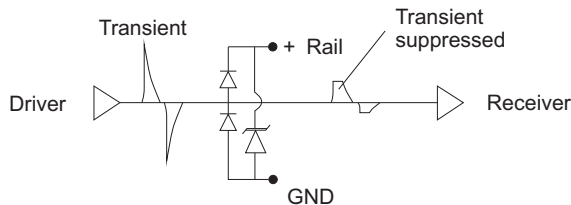
Mechanical Data

- Case: SOT-23-6 Standard package, molded plastic.
- Terminals: Gold plated, solderable per MIL-STD-750D, method 2026.
- Mounting position: Any.
- Weight: 0.013 gram (approx.).

Circuit Diagram



Applications



Maximum Ratings (at TA=25°C unless otherwise noted)

Parameter	Symbol	Value	Unit
Operating temperature	T _J	-55 to +150	°C

Electrical Characteristics (at TA=25°C unless otherwise noted)

Parameter	Conditions	Symbol	Min.	Max.	Unit
Forward voltage	I _F =50mA	V _F		1.2	V
Reverse stand-off voltage		V _{RWM}		5	V
Diode breakdown voltage	I _R =1μA	V _{BD}	6		V
Reverse leakage current	V _{RWM} =5V	I _R		5	μA
Junction capacitance	f=1MHz, V _R =0V, Line to ground f=1MHz, V _R =0V, Line to Line	C _T		5	pF
ESD capability	IEC 61000-4-2	ESD		16	kV
Peak pulse power	T _P =8/20 μS	P _{PP}		300	W

Rating and Characteristic Curves (CSRS065V0-G)

Fig.1 Pulse Power vs. Time

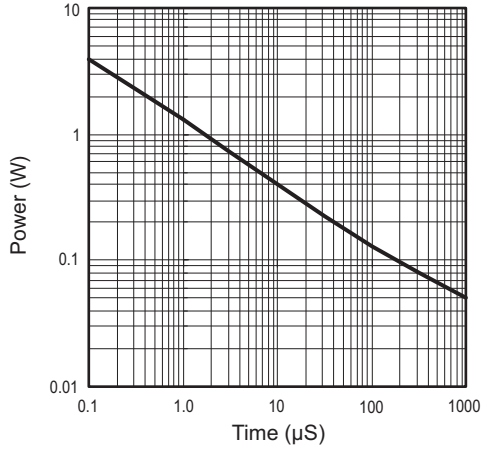


Fig.2 Power Derating

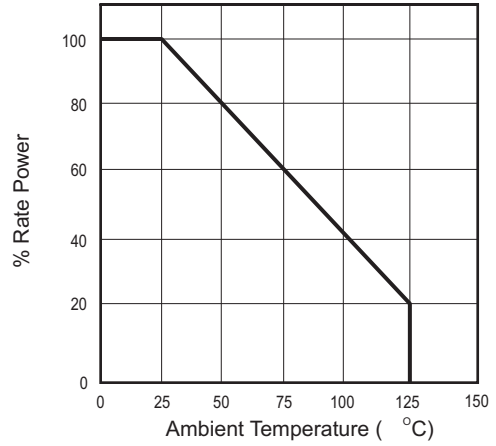


Fig.3 Pulse Waveform

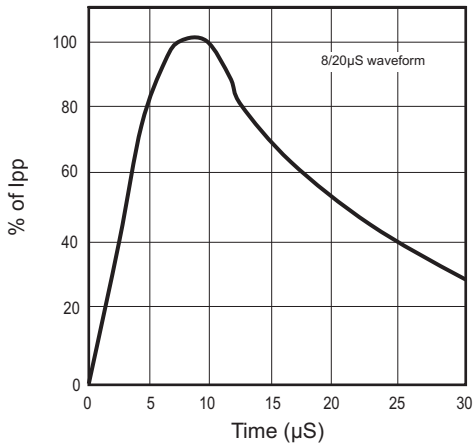


Fig.4 Clamp Voltage vs. Pulse Current

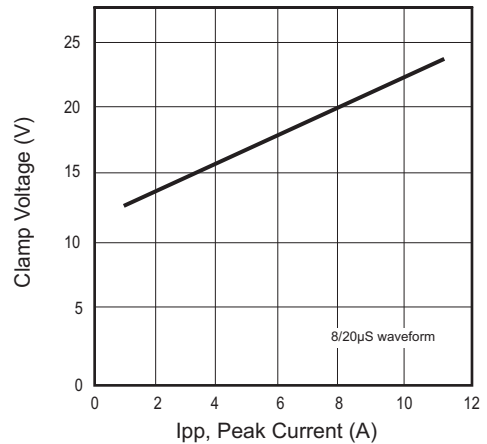


Fig.5 Forward Voltage vs. Forward Current

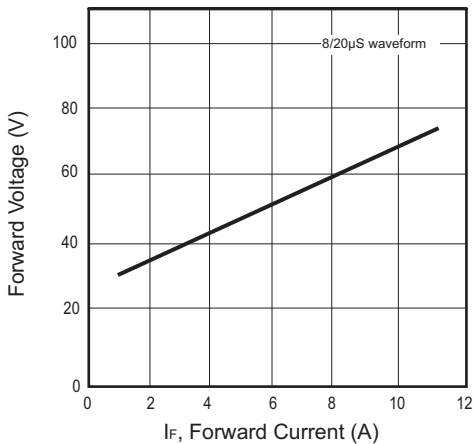
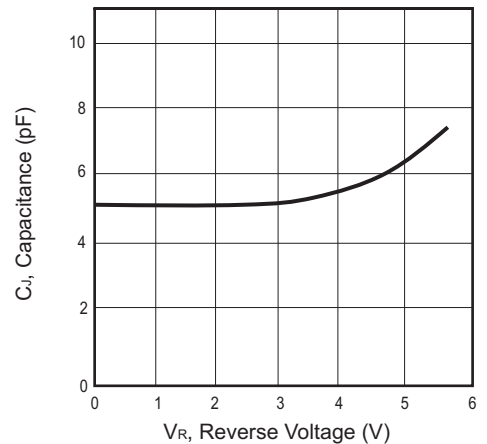
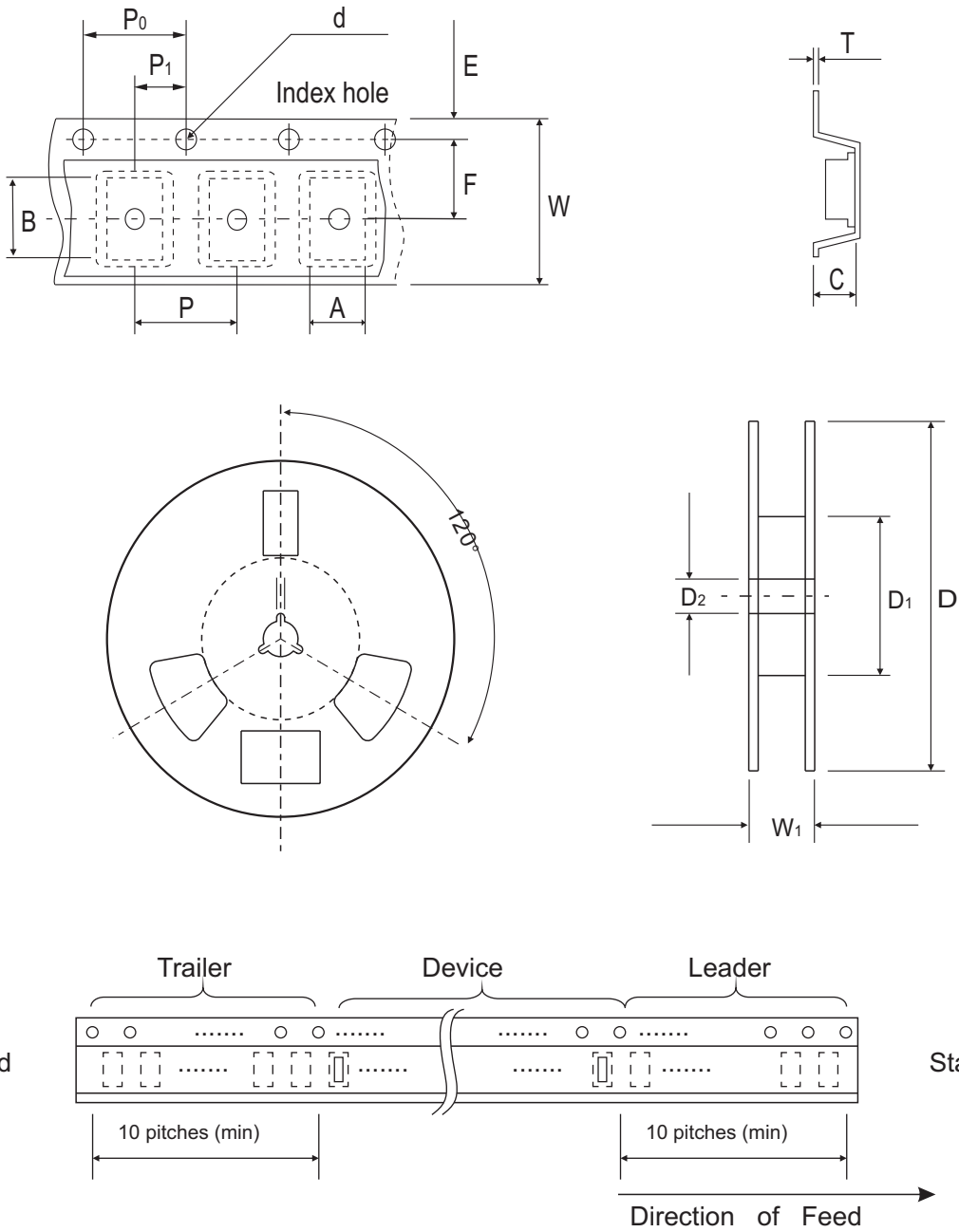


Fig.6 Capacitance vs. Reverse Voltage



Reel Taping Specification

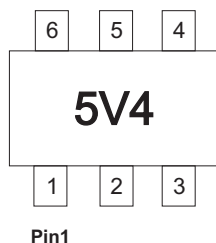


SOT-23-6	SYMBOL	A	B	C	d	D	D1	D2
	(mm)	3.17 ± 0.10	3.23 ± 0.10	1.37 ± 0.10	1.55 ± 0.10	178 ± 1	50.0 MIN.	13.0 ± 0.20
	(inch)	0.124 ± 0.004	0.127 ± 0.004	0.054 ± 0.004	0.061 ± 0.004	7.008 ± 0.040	1.969 MIN.	0.512 ± 0.008

SOT-23-6	SYMBOL	E	F	P	P0	P1	T	W	W1
	(mm)	1.75 ± 0.10	3.50 ± 0.05	4.00 ± 0.10	4.00 ± 0.10	2.00 ± 0.05	0.22 ± 0.05	8.00 ± 0.30	14.4 MAX.
	(inch)	0.069 ± 0.004	0.138 ± 0.002	0.157 ± 0.004	0.157 ± 0.004	0.079 ± 0.002	0.009 ± 0.002	0.315 ± 0.012	0.567 MAX

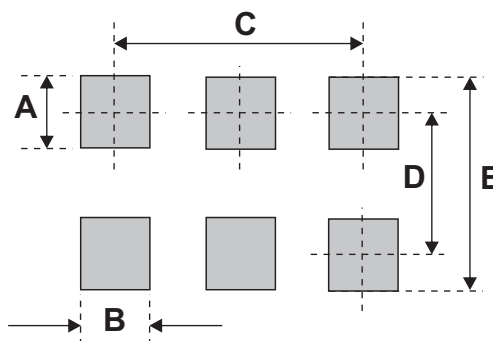
Marking Code

Part Number	Marking Code
CSRS065V0-G	5V4



Suggested PAD Layout

SIZE	SOT-23-6	
	(mm)	(inch)
A	1.10	0.043
B	0.60	0.024
C	0.95	0.037
D	2.50	0.098
E	3.60	0.142



Standard Packaging

Case Type	REEL PACK	
	REEL (pcs)	Reel Size (inch)
SOT-23-6	3,000	7