

FEATURES



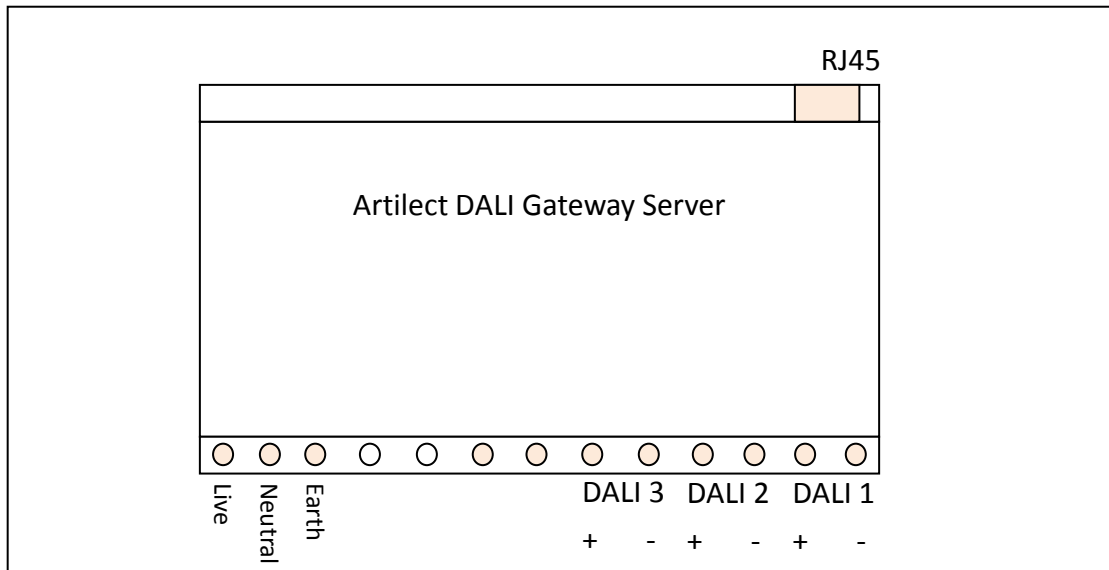
- DALI Gateway Server
- Universal AC Input
- 35W Max. Power Supply
- 4 DALI Channels (240mA/ch)
- Ethernet/RJ45 Port (Support DHCP client and fixed IP)
- Protection: DALI Channel SCP
- Comply with Global Safety Regulations
- Residential and Commercial Use
- Add-ons: Smart Scene, Time Synchronization, Event Scheduler, and etc.



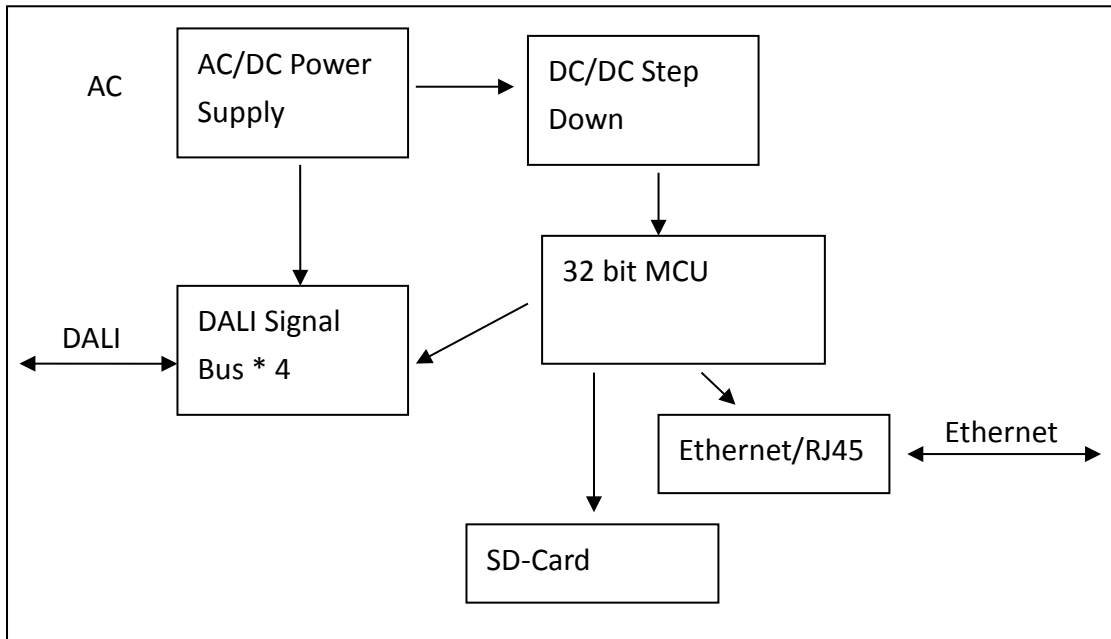
PRODUCT SPECIFICATIONS

Model		DAL035N241PON0-00G	N/A
Output	DALI Bus	24V (Standard max. voltage: 22.5V)	N/A
	Max. Current	240mA/each	
	Power	35W	
Input	Voltage	Universal 100 ~ 240VAC	Universal 100 ~ 240VAC
	Power	36W Max.	5W Max.
	Leakage Current	< 0.75mA	< 0.75mA
	Standby Power	< 1.5W	< 1.5W
Protection	SCP	Yes to DALI bus	N/A
Environment	Working Temp.	-30 ~ +60°C	-30 ~ +60°C
	Working Humidity	20 ~ 95%	20 ~ 95%
	Storage	-40 ~ 80°C, 10 ~ 95%	-40 ~ 80°C, 10 ~ 95%
Software	App	iOS & Android	iOs & Android

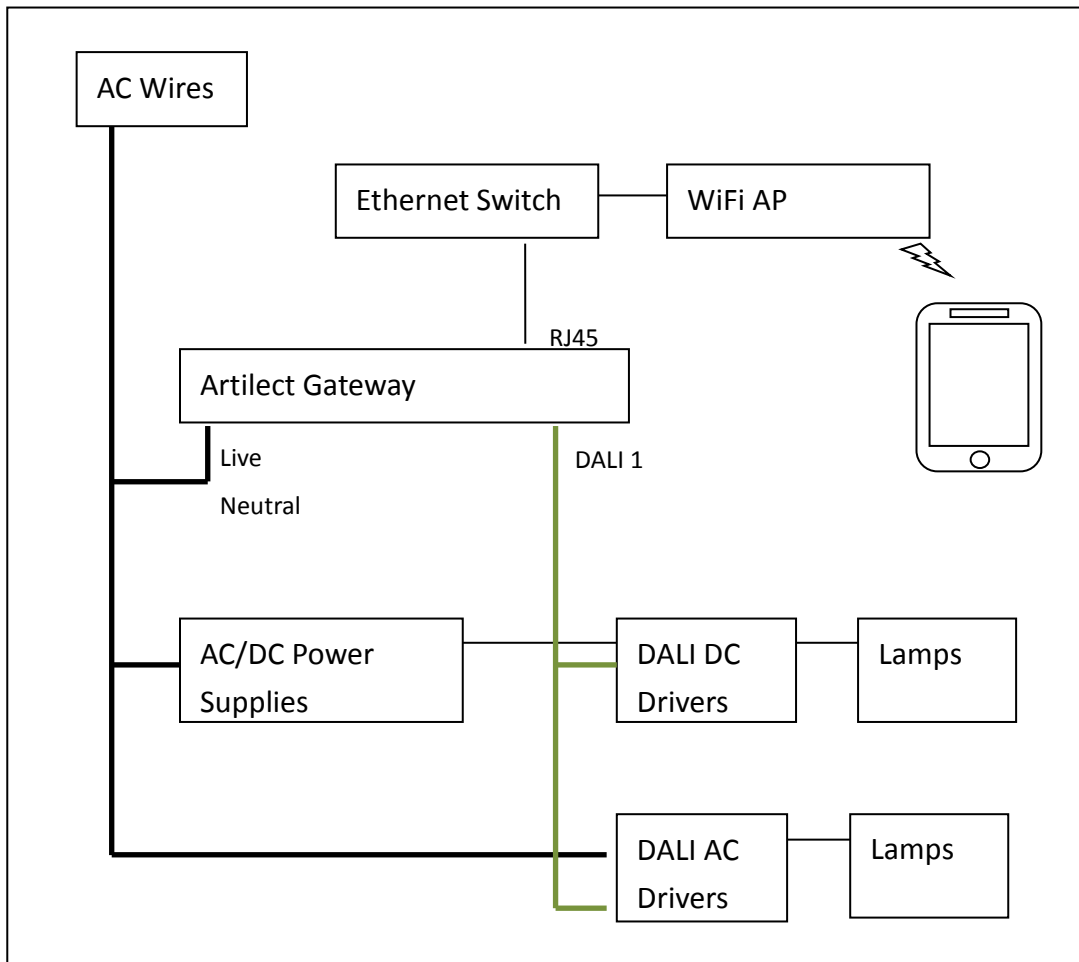
Wiring



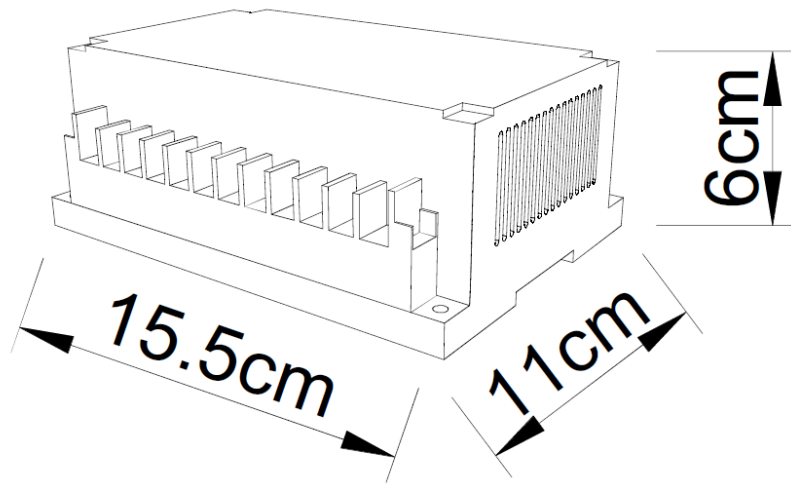
Functional Block



Suggesting Wiring Diagram



Dimensions



* REFERENCE: www.linkcom.com.tw