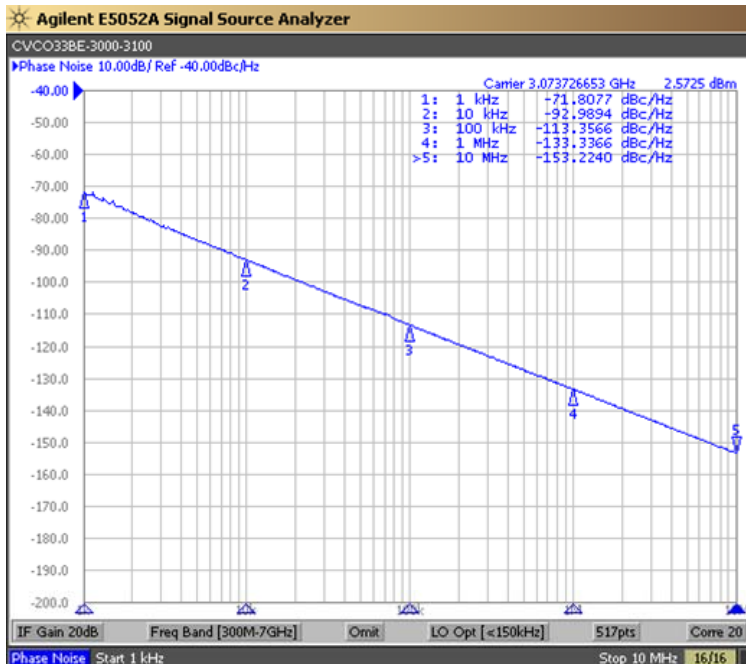


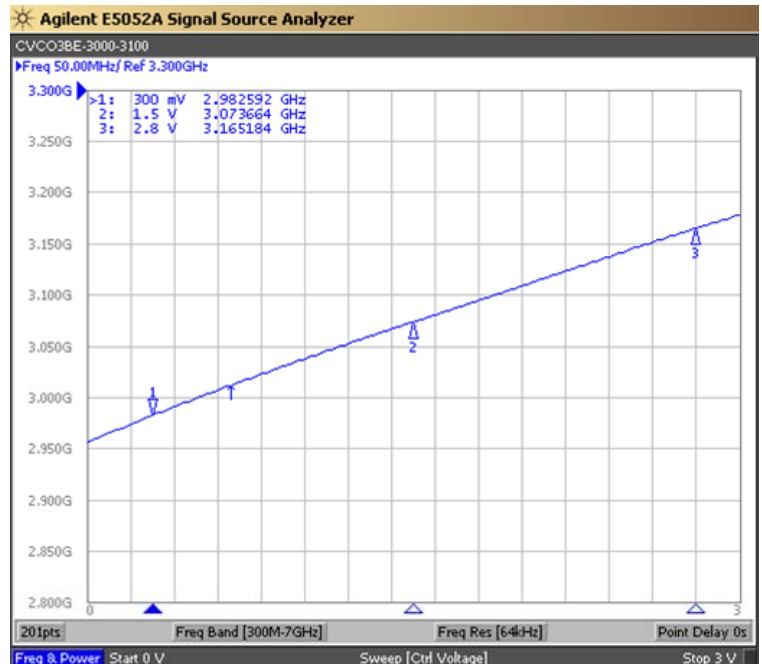


PERFORMANCE SPECIFICATION	MIN	TYP	MAX	UNITS
Lower Frequency:			3000	MHz
Upper Frequency:	3100			MHz
Tuning Voltage:	0.3		2.8	VDC
Supply Voltage:	2.85	3.0	3.15	VDC
Output Power:	+2.0	+5.0	+8.0	dBm
Supply Current:		26	30	mA
Harmonic Suppression (2 nd Harmonic):		-15	-10	dBc
Pushing:		1.0		MHz/V
Pulling, all Phases:		6.0		MHz pk-pk
Tuning Sensitivity:		40		MHz/V
Phase Noise @ 10kHz offset:		-90	-85	dBc/Hz
Phase Noise @ 100kHz offset:		-110	-105	dBc/Hz
Load Impedance:		50		Ω
Input Capacitance:			22	pF
Operating Temperature Range:	-40		+85	$^{\circ}\text{C}$
Storage Temperature Range:	-45		+90	$^{\circ}\text{C}$

Phase Noise (1 Hz BW, Typical)



Tuning Curve (Typical)



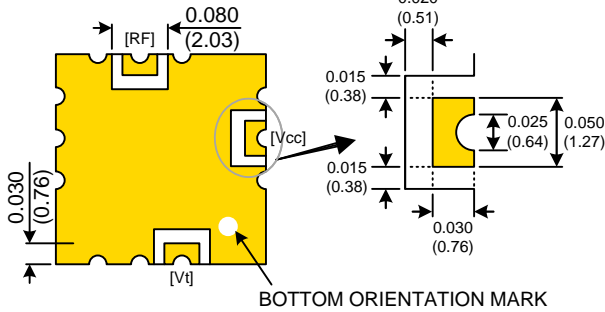
Product Control:

Crystek Part Number:	CVCO33BE-3000-3100	Release Date:	04-Jun-2015
Revision Level:	C	Responsible:	C. Vales

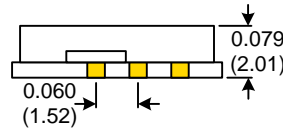


Gold Finish

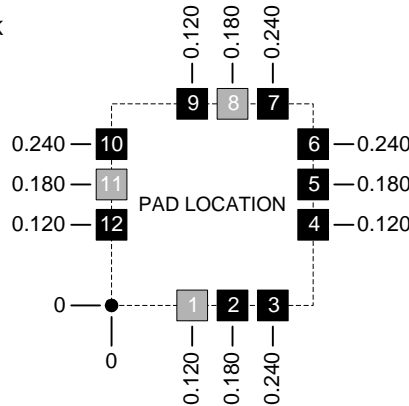
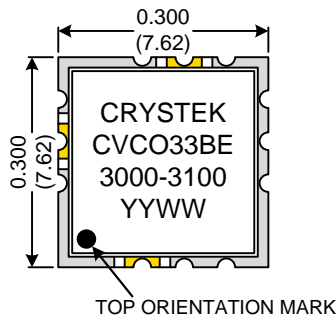
BOTTOM VIEW



SIDE VIEW



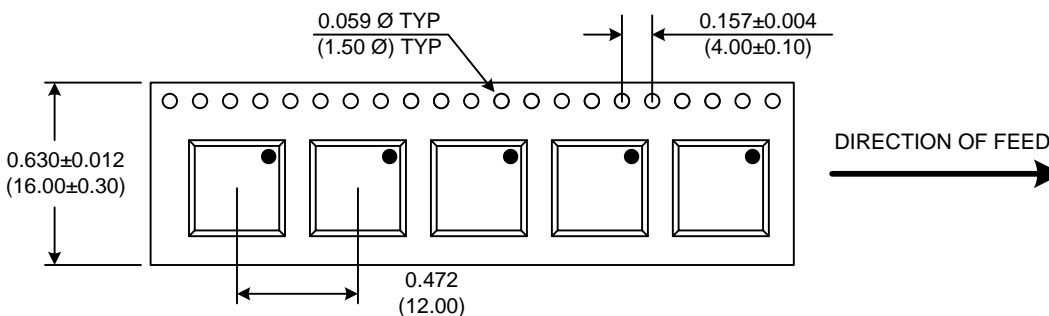
TOP VIEW



Pad	Connection
1	Vt
8	RF-OUTPUT
11	Vcc
Others	GROUND

- Unless otherwise specified, Dimensions are in: $\frac{IN}{(mm)}$
- Pad Location Dimensions are in: Inches

TAPE AND REEL



Drawing not to scale

Product Control:

Crystek Part Number:	CVCO33BE-3000-3100	Release Date:	04-Jun-2015
Revision Level:	C	Responsible:	C. Vales

Specification is subject to change without notice