

03

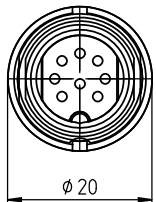
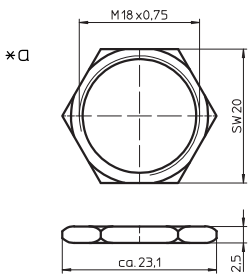
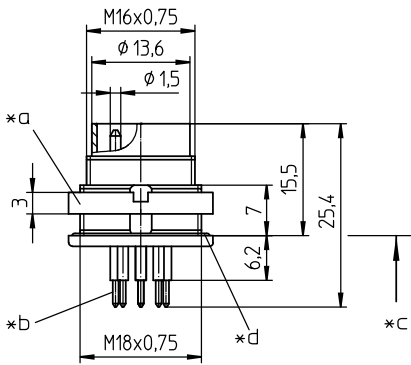
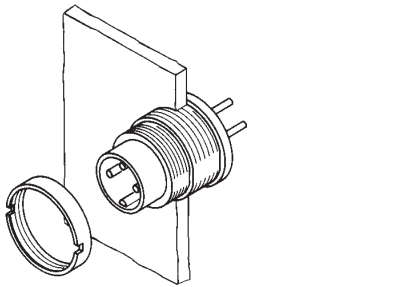
031799-2

Circular connectors with threaded joint M16 acc. to IEC 61076-2-106, IP40/IP67/IP68



SWUM™ chassis plug acc. to IEC 61076-2-106 and AISG specification, IP 68/67, with threaded joint, for printed circuit boards, manual soldering, for back side mounting, with hexagonal nut

03 031799-2



Environmental conditions

Temperature range -40 °C/+85 °C

Materials

| | |
|-----------------|--|
| Insulating body | PA, V-2 according to UL94 |
| Contact pin | CuZn, silver-plated and flash gold-plated, tin-plated in solder area |
| Housing | Zn diecast, pre-copper and nickel-plated |
| Hexagonal nut | CuZn, nickel-plated |
| Seal | NBR |

Mechanical data

Protection class IP68/67¹

¹ according to IEC 60529/DIN EN 60529

IP68: sealed in locked position; pair of appropriate connectors in locked position is sealed against ingress of dust and moisture.

IP67: sealed when unmated (SWUM™); no dust or moisture can ingress into the inside of the device through an unmated connector accidentally left unprotected.
IPX8 requirements under agreement between user and manufacturer

Electrical data (at T_{amb} 20 °C)

| | |
|-----------------------|------------------------------|
| Rated current | 5 A (T _{amb} 40 °C) |
| Rated voltage | 60 V |
| Rated impulse voltage | 1 kV/60 s |
| Material group | II (IEC)/1 (UL) (CTI ≥ 450) |
| Overvoltage category | I |
| Insulation resistance | > 100 MΩ |

Associated products

Counterparts

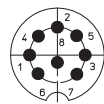
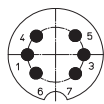
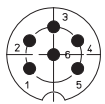
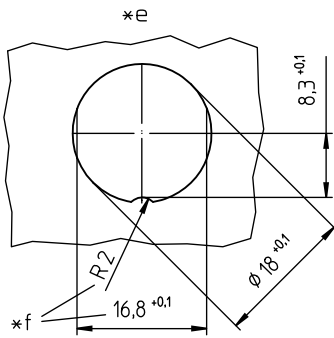
| | | |
|----------|--------|----------|
| ☞ 0321 | ☞ 0322 | ☞ 0322-1 |
| ☞ 032200 | ☞ 0360 | ☞ 036000 |

Accessories

| | | |
|--------|----------|--------|
| ☞ 0383 | ☞ 038399 | ☞ 0384 |
| ☞ 0385 | ☞ 038899 | |

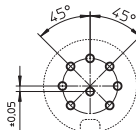
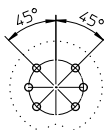
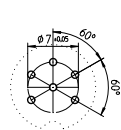
03

031799-2



08-a

031799-2 08-1



08-a

031799-2 08-1

- *a nut enclosed separately (hexagonal nut instead of a slit nut)
- *b for bore hole in printed circuit board $\varnothing 1$ mm
- *c mounting direction
- *d O-ring gasket
- *e port in mounting plate
- *f anti-rotation, alternative execution

03

031799-2

| Designation | Pole Number | PU (Pieces) | MDQ (Pieces) |
|---------------|-------------|-------------|--------------|
| 031799-2 08-1 | 8 | 50 | 100 |

Packaging:

in a cardboard box