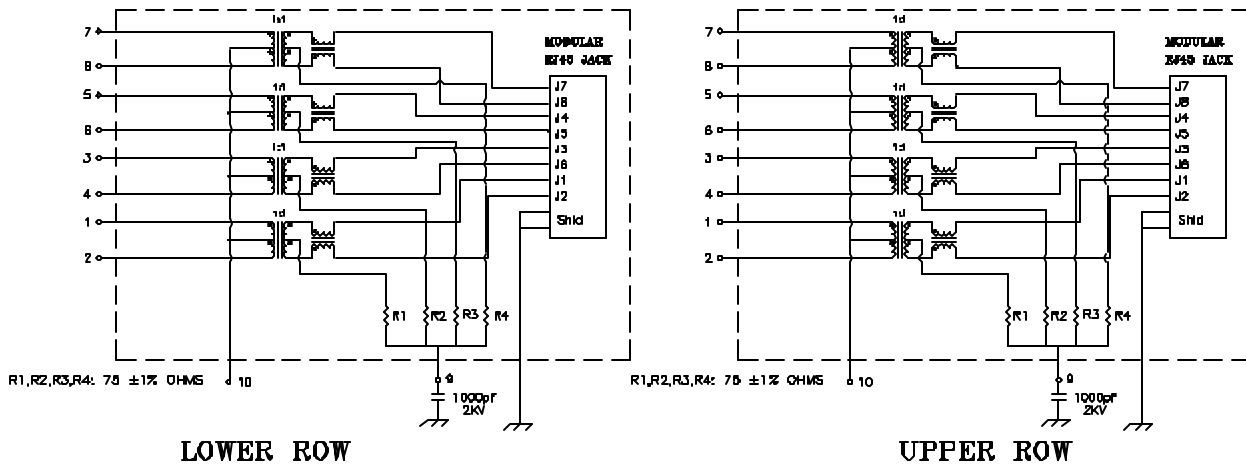


## Schematic:



## Electrical Specifications: @25°C

ISOLATION: 1500 Vrms  
 TURNS RATIO: (PRI/SEC) 1CT:1CT ±2%  
 OCL: 350uH MIN @100KHz 100mV 8mA DC  
 Rise Time: 1.75ns Max.  
 INSERTION LOSS: -1.0dB MAX @1MHz-100MHz  
                           -1.5dB MAX @100-125MHz  
 RETURN LOSS: -18dB Min @1-30MHz  
                   -15dB Typ @40MHz -13.1dB Typ @50MHz  
                   -12dB Typ @60-80MHz -10dB Typ @100MHz  
 Differential to Common Mode Rejection:  
                   -43dB Min @30MHz -37dB Min @80MHz  
                   -33dB Min @100MHz  
 CMRR: -30dB Min @1-100MHz  
 Crosstalk: -45dB Min @30MHz  
                   -40dB Min @60MHz -35dB Min @100MHz

### Notes:

1. Solderability: Leads shall meet MIL-STD-202G, Method 208H for solderability.
2. Flammability: UL94V-0
3. ASTM oxygen index: > 28%
4. Insulation System: Class F 155°C, UL file E151556
5. Operating Temperature Range: All listed parameters are to be within tolerance from -40°C to +85°C
6. Storage Temperature Range: -55°C to +125°C
7. Aqueous wash compatible
8. Electrical and mechanical specifications 100% tested
9. RoHS Compliant Component

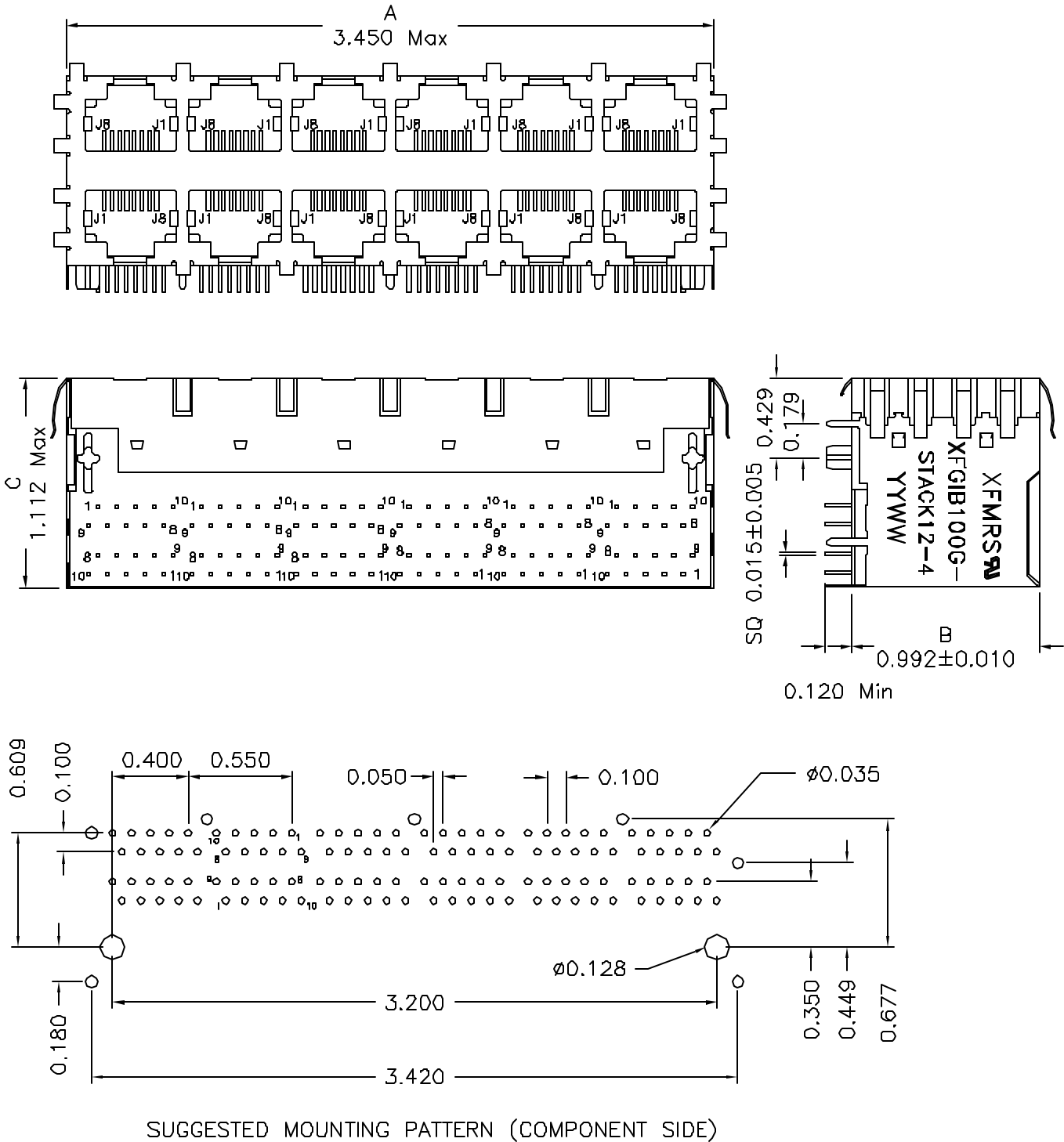
DOC REV.: A/5

<b>XFMRs Inc.</b> www.XFMRs.com	Title: 2X6 STACKED COMBO		
	UNLESS OTHERWISE SPECIFIED TOLERANCES: .xxx ±0.010 Dimensions in Inch	P/N: XFGIB100G-STACK12-4	REV. A
SHEET 1 OF 2	DWN.	Juan Mao	Jan-15-07
	CHK.	YK Liao	Jan-15-07
	APP.	BW	Jan-15-07

**PROPRIETARY:**

Document is the property of XFMRs Group & is not allowed to be duplicated without authorization.

**Mechanical Dimensions:**



DOC. REV. A/5

**PROPRIETARY:**

Document is the property of XFMRs Group & is not allowed to be duplicated without authorization.

<b>XFMRs Inc.</b> <a href="http://www.XFMRs.com">www.XFMRs.com</a>	Title: Mechanical Dimensions For 2x6 STACKED COMBO Series		
	UNLESS OTHERWISE SPECIFIED TOLERANCES: .xxx ±0.010 Dimensions in Inch	P/N: XFGIB100G-STACK12-4	REV. A
	DWN.	Juan Mao	Jan-15-07
	CHK.	YK Liao	Jan-15-07
SHEET 2 OF 2	APP.	BW	Jan-15-07