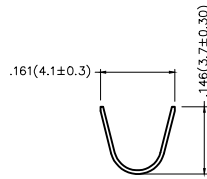
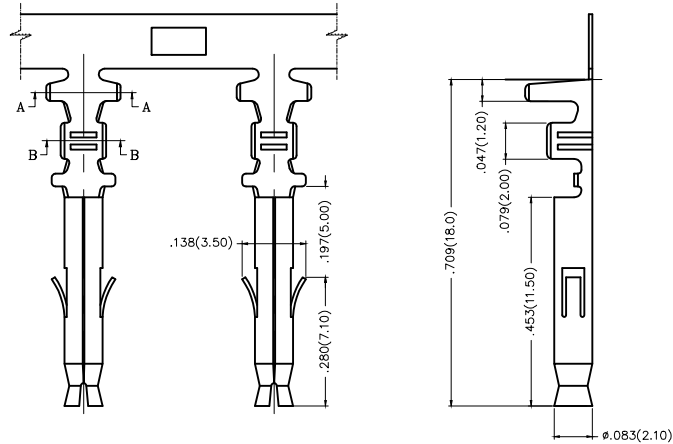


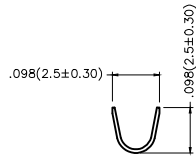
REV	LOCATIONS	DESCRIPTION	DATE	REVISER	APPD

Notes:

- 1.Material:Phosphor Bronze C5191
- 2.Plating: Tin-Plated
- 3.Wire Range: 20AWG~26AWG
- 4.Insulation O.D.106(Ø2.70mm Max)
- 5.Applicable Housing: FHG45001Series
- 6.Minimum Order Quantity 5,000 PCS



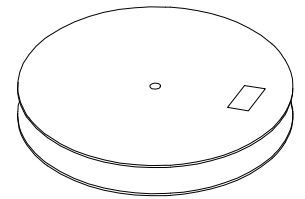
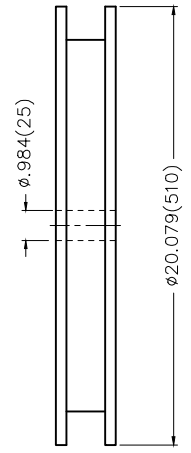
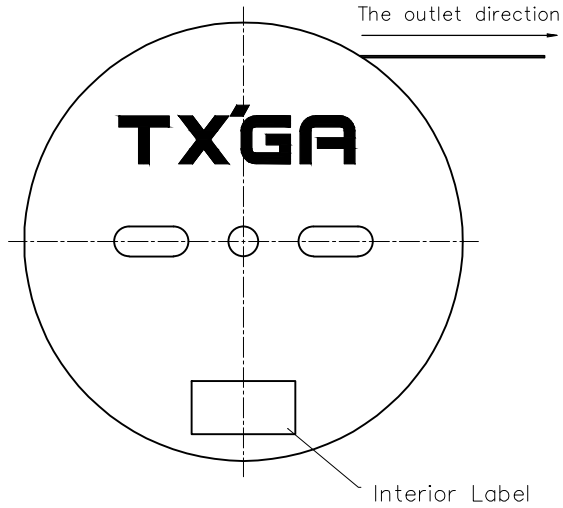
Section A-A



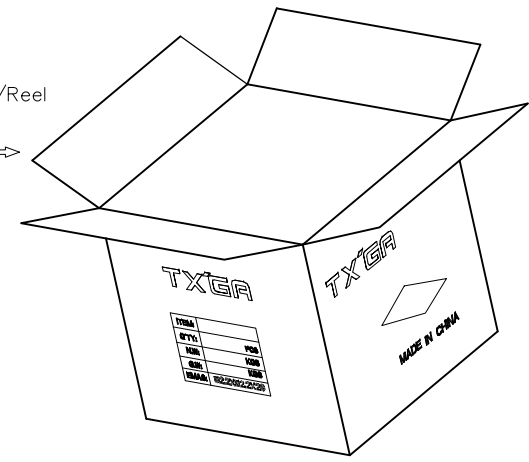
Section B-B

 THIRD ANGLE PROJECTION	GENERAL TOLERANCES (UNLESS SPECIFIED)		APPROVE BY FRANK	DATE 18/JUN/13	PART NO. FT45002-F2H	ITEM NO. FT45002	 Leader Of Industry	
	DESIGN UNITS Inch (metric)	X.±.012(0.30)	X.'±5'	CHECKED BY JACOB	DATE 18/JUN/13	TITLE Wire to Board Pitch 4.5mm(Terminal)		REV 0
SCALE 5:1	SIZE A4	X.XX±.006(0.15)	.XX'±1'	DRAWN BY CHERRY	DATE 18/JUN/13	THIS DRAWING CONTAINS INFORMATION THAT IS PROPRIETARY TO TXGA INDUSTRIAL ELECTRONICS(S.Z)CO.,LTD AND SHOULD NOT BE USED WITHOUT WRITTEN PERMISSION		
		X.XXX±.004(0.10)	.XXX'±0.5'					

REV	LOCATIONS	DESCRIPTION	DATE	REVISER	APPD



5,000 Pcs/Reel



 THIRD ANGLE PROJECTION	GENERAL TOLERANCES (UNLESS SPECIFIED)		APPROVE BY FRANK	DATE 18/JUN/13	PART NO. FT45002-F2H	ITEM NO. FT45002	 Leader Of Industry	
	DESIGN UNITS Inch (metric)	X.X±.012(0.30)	.X'±5"	CHECKED BY JACOB	DATE 18/JUN/13	TITLE Wire to Board Pitch 4.5mm(Terminal)		REV 0
SCALE 5:1	SIZE A4	X.XX±.006(0.15)	.XX±1"	DRAWN BY CHERRY	DATE 18/JUN/13	THIS DRAWING CONTAINS INFORMATION THAT IS PROPRIETARY TO TXGA INDUSTRIAL ELECTRONICS(S.Z)CO.,LTD AND SHOULD NOT BE USED WITHOUT WRITTEN PERMISSION		
		X.XXX±.004(0.10)	.XXX'±0.5"					