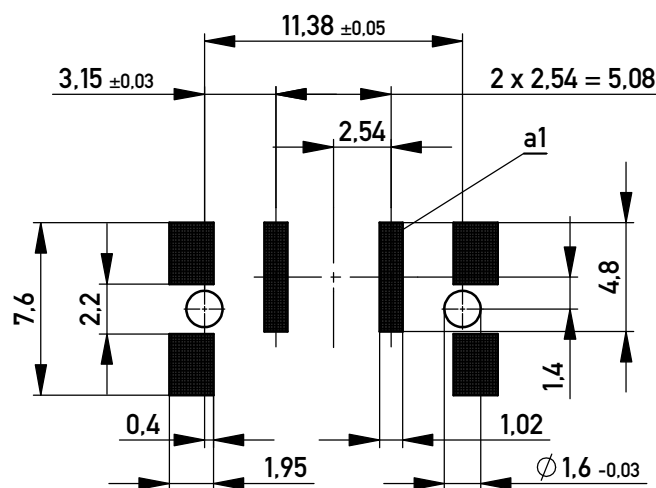


ohne Ansaughaube  
without hood

**Leiterplatten-Layout Vorschlag für SMT**  
*PCB-Layout Proposal for SMT*



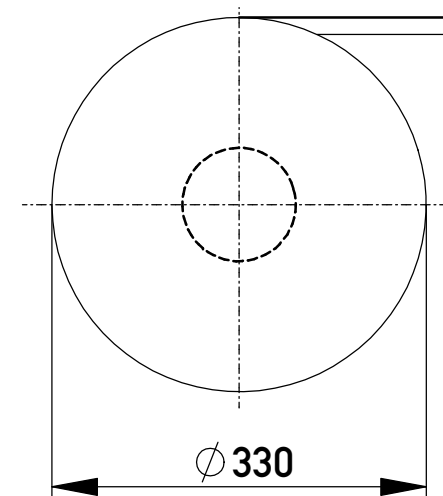
Anforderungsstufe 1  
Performance Level 1

Kontaktbereich vergoldet  
Mating Area gold plating

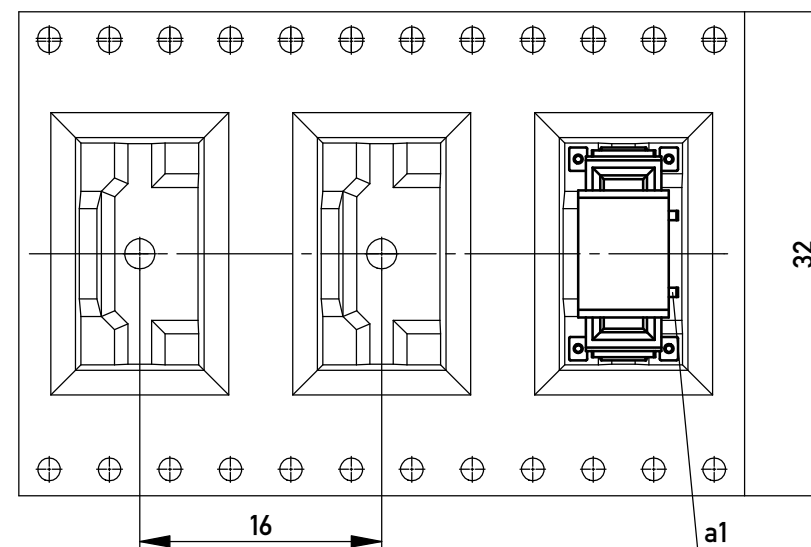
Anschlussbereich verzinkt 4-6 µm  
Terminal Area 4-6 µm tin plating

Koplanarität der Anschlüsse ≤ 0.1 mm  
Coplanarity Area of Termination ≤ 0.1 mm

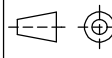

Verpackt im Gurt in Anlehnung an DIN IEC 60286-3  
*Tape on Reel Packaging according to DIN IEC 60286-3*  
Verpackungseinheit: 320 Stück  
*Packaging unit: 320 pcs*



Abspulrichtung - Reel off Direction



Copyright by ERNI Production GmbH & Co. KG  
Proprietary notice pursuant to ISO 16016 to be observed.

Information: Codierung, grün - coding green Pos. 2 unbestückt - Pos. 2 not assembled		Tolerances  All Dimensions in mm	Scale 3:1
All rights reserved. Only for Information. To ensure that this is the latest version of this drawing, please contact one of the ERNI companies before using.		Subject to modification without prior notice. Drawing will not be updated.	Designation <b>M 2,54 SRC-P 3/2-polig</b>
 www.ERNI.com		<b>103204240001</b>	
Index	Date	Class	SRCP
			K A3