

TACT SWITCH

Operation: DIP/插件支架臥式 小型 轻触开关 [柄长/操作力可定制]



LTEM NO.: TS-1101V-*** ** (Series)

(L3.50mm × W7.30mm TACT-SWITCH)

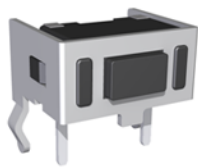
表面插裝 DIP

側向操作

精密部品 NICETY

可靠 STABILIZE

適合環保 RoHS



Technical parameter

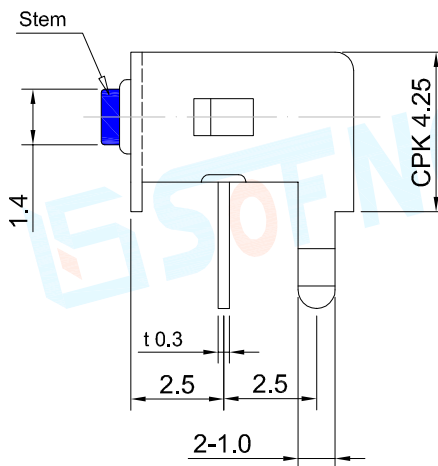
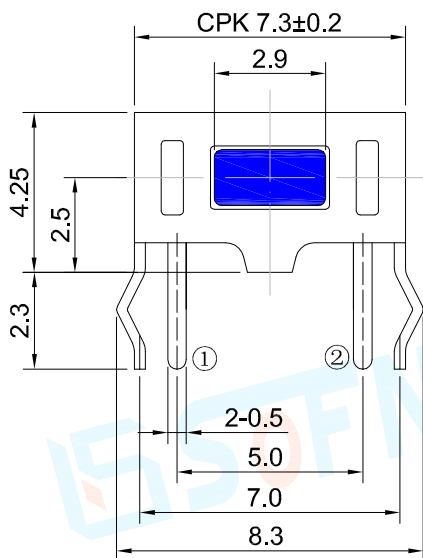
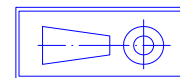
LEVEL		A[better product]	B[average product]
PROJECT			
	Contact Rating	25mA, 24V DC	
Electrical	Initial Contact Resistance	50mΩ max.	
Properties	Insulation Resistance	100MΩ min.500V DC	Skey/PD: 100MΩ min.300V DC
	Withstand Voltage	300V AC for 1 minute	250 V AC for 1 minut
Durable Performance	There No Load	100,000 Cycles	75,000 Cycles
	Rated Load	80,000 Cycles	50,000 Cycles
	Storage temp.	-35℃~+75℃(Operating Temp:)	
	Operating Force	1.6 / 2.6N. (1N.=100gram-force)	
	Heat Rrsistance	IR Reflow:255℃, 5sec. Manual:350℃, 3sec.	

Material declaration		
No.	NAME	Description
① A	嵌件	鍍銀&H62 黃銅
② B	基座	PA6T (Black)熱塑性
③ C	簧片	鍍銀&不銹鋼/SUS304
④ D	盖板	不銹鋼 Q235-A
⑤ E	撥柄	PA6T (Black)熱塑性

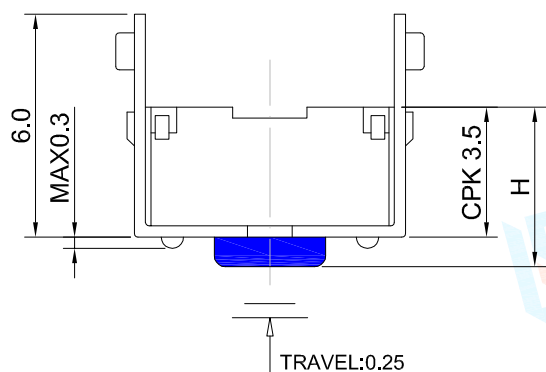
CIRCUIT DIAGRAM



Unit:mm



H
4.3
5.0
8.0



P.C.B LAYOUT

