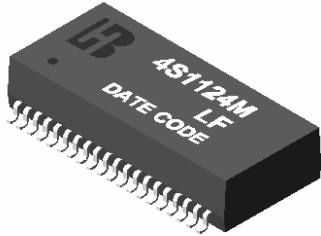




T1/E1/CEPT/ISDN-PRI TRANSFORMER

P/N: 4S1124M LF DATA SHEET

Feature



- Eight transformers in a surface mount package supports four transmit and four receive channels.
- Cross talk : -65dB or better
- Models matched to leading quad and dual T1/E1/CEPT/ISDN-PRI transceivers.
- Comply with RoHS requirements-whole part No Cd, No Hg, No Cr6+, No PBB and PBDE and No Pb on external pins.
- Comply with Air reflow profile of JEDEC 020C.
- Operating temperature range : -40 to +85 .
- Storage temperature range: -40 to +125 .

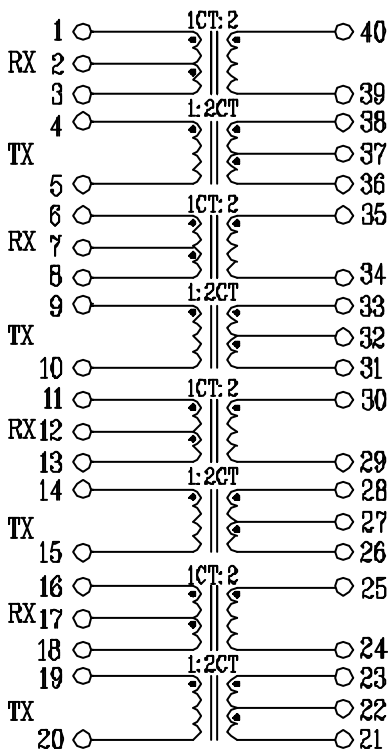
Electrical Specifications @ 25° C

Part Number	Turns Ratio (±2%)		OCL (mH Min)	L.L (uH Max)	Cw/w (pF Max)
	TX	RX			
4S1124MLF	1:2CT	1CT:2	1.2	0.6	35

Continue

Part Number	Primary PINS		HI-POT (Vrms)
	TX	RX	
4S1124MLF	4-5,9-10,14-15,19-20	1-3,6-8,11-13,16-18	1500

Schematic



Mechanical

