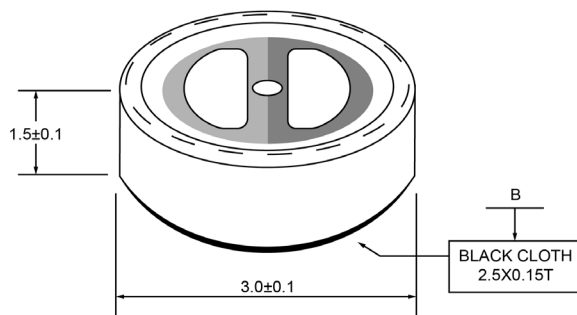
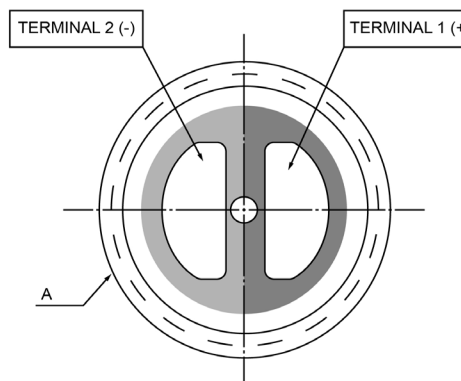



ANGLED VIEW



BOTTOM VIEW



Specifications			Notes	Revision History						
Description	Value	Unit		Version	Description	Date	Approved			
Directivity	Omnidirectional		1) All dimensions are in mm unless otherwise noted 2) All parts meet RoHS  	1	Released from Engineering	10/21/2013	J.S			
Technology	Electret Condenser									
Sensitivity	-44	(dB)								
Frequency Range	40 ~ 20,000	(Hz)								
Rated Voltage	2	(V)								
Output Impedance	2,200	(Ohm)								
Connection Method	Solder Pads									
Voltage Range	1 ~ 10	(V)								
Max Rated Current	0.45	(mA)								
Minimum Signal to Noise Ratio	>60	(dB)								
Operating Temperature	-40 ~ +85	°C								
Storage Temperature	-40 ~ +85	°C								
				Drawn by	Date	Checked by	Date	Approved by	Date	
				A.B.	10/21/2013	C.E.	10/21/2013	J.S	10/21/2013	
				<b>Electret Condenser Microphone</b>			<b>MO034402-4</b>			