

TOKEN RING MAGNETICS

- UTP OR STP APPLICATIONS
- 2,000 VRMS ISOLATION STANDARD
- LOW INSERTION LOSS OVER WIDE BAND WIDTH
- SURFACE MOUNT AND THRU-HOLE PACKAGES AVAILABLE
- WIDE VARIETY OF FILTER MODULES AVAILABLE FOR ALL APPLICATIONS
- CUSTOM DESIGNS AVAILABLE AT NO EXTRA COST

ELECTRICAL SPECIFICATIONS:

PART NUMBER	TURNS RATIO	PRI OCL	PRI/SEC L_L	PRI/SEC Cw/w	PRI/SEC DCR	PACKAGE STYLE
XF0756L1	1:1:2:2	75	0.10	10	0.2 / 0.4	L
XF1256D1	1:1:2:2	125	0.15	10	0.3 / 0.6	D
XF2506B1	1:1:2:2	250	0.20	15	0.4 / 0.8	B
XF0756L2	1:1:1:1	75	0.10	10	0.2 / 0.2	L
XF1256D2	1:1:1:1	125	0.10	10	0.3 / 0.3	D
XF2506B2	1:1:1:1	250	0.15	15	0.4 / 0.4	B
XF0756L3	1:1:1.22:1.22	75	0.20	10	0.2 / 0.3	L
XF1256D3	1:1:1.22:1.22	125	0.30	10	0.3 / 0.5	D
XF2506L3	1:1:1.22:1.22	250	0.50	15	0.4 / 0.6	B

ALL PART NUMBERS : INSERTION LOSS

0.20 dB MAX 2.2 MHz - 20 MHz

0.40 dB MAX 1.4 MHz - 31 MHz

1.0 dB MAX 900 KHz - 40 MHz

RETURN LOSS

22 dB MIN 1 MHz - 8 MHz

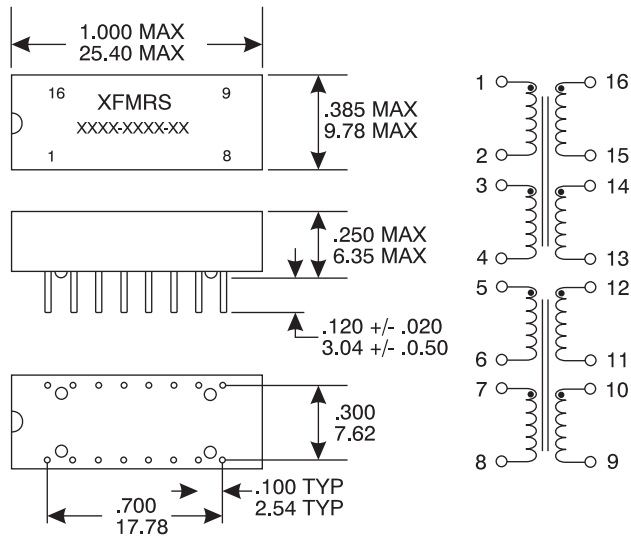
20 dB MIN 8 MHz - 16 MHz

18 dB MIN 16 KHz - 24 MHz

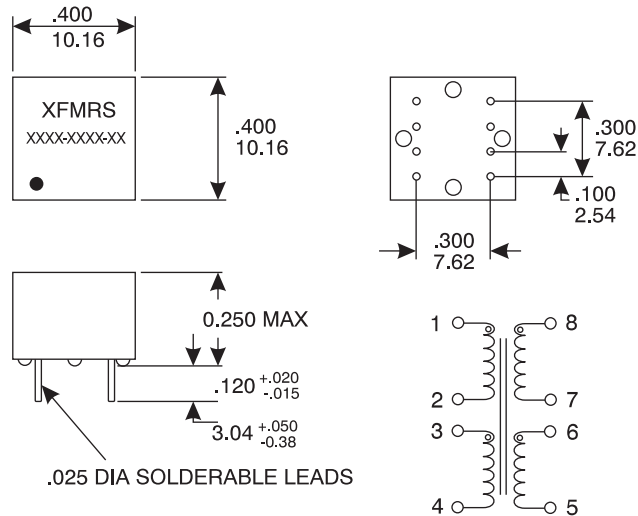
NOTES:

1. OCL MEASURED AT 100 KHz, 100 mv
2. PRI/SEC ISOLATION : 2,000 VRMS
3. TURNS RATIO; $\pm 2\%$
4. PRI OCL; $\mu H \pm 30\%$
5. PRI/SEC L_L ; μH MAX
6. PRI/SEC Cw/w; pF MAX
7. PRI/SEC DCR; OHMS MAX

PACKAGE STYLE L



PACKAGE STYLE D



PACKAGE STYLE B

